


400W RGBAL LED Profile Spot Light

VG-LVF400Z-G



CE RoHS

User Manual

 Please read this user manual before using this product!

Keep it for further reference!

<http://www.vangaa.com>

INDEX

I PRODUCT MAIN FEATURES..... 01

II OVERVIEW AND DIMENSIONS..... 02

III SAFETY INFORMATION..... 02

IV POWER CONNECTION..... 03

V CONTROL PANNEL..... 05

VI DMX PROTOCOL..... 10

VII TECHNICAL SPECIFICATION..... 11

VIII LUX CHART..... 12

IX APPENDIX..... 12

X PLEASE NOTE..... 12

Thank you for using our product! Please read this manual carefully and completely. For technical reference in future, please keep this user manual well. This user manual contains all installation and operation information of this LED Profile Spot Light, it's very useful for user to install and operate the light. Please strictly abide by the relevant instruction for the installation and operation.

This light has very beautiful appearance. Based on the LED Film and Television Light Technology, using high brightness COB LED chips beads matrix arrangement of large area, through the whole aluminum shell to realize heat dissipation naturally, we have designed this light. This light has high brightness, good head dissipation, ultra-quiet and other features. It can satisfy the requirement of indoor movie filming for the lighting layout. It is a good substitute of the traditional Fresnel spot light, which is very suitable for the studio room, TV station, Meeting room, stage, show and other entertainment places.

This light meets the following criteria:

GB7000.1-2007/IEC60598-1:2003

GB7000.217-2008/IEC60598-2-17:1984+A2:1990

I PRODUCT MAIN FEATURES

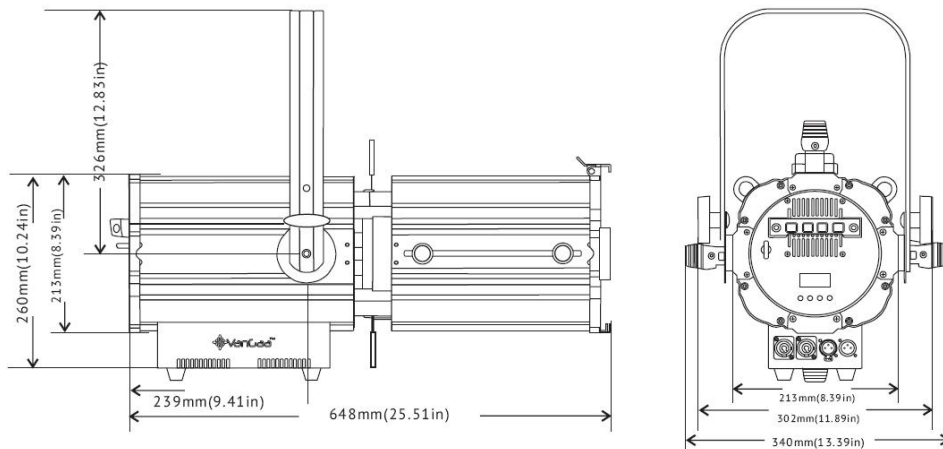
The light's lighting function is controlled by DMX-512 and RDM, very convenient; Using international standard (1990) DMX single, digital control panel display; With 12 DMX channel layout, every color can be controlled; Dimmer range: 0~100%, 0~15% dimmer smoothly; CRI more than 92, 1800-10000K color temperature adjustable, light effective distance is 3~50 meters; Cast aluminum radiator, equips copper tube radiator, and mute fan cooling, realize the

silent, intelligent temperature control system, improve the quality of our products stable performance, apply to indoor installation.

Using brand LED chips, integrated encapsulation, improve reliability and long lifespan.

Using the advanced optical reflective material, make the light on the projection distance and brightness is higher than traditional film soft light.

II OVERVIEW AND DIMENSIONS



All dimensions are in millimeters

III SAFETY INFORMATION

※Important

Every person involved with the installation, operation and maintenance of this device has to be qualified and follow the instructions of this manual. Manufacturer will not with responsibility for those operations which are not according to this Instruction.

Verify that the voltage matches the rated voltage.

When the voltage is 110V, Do not connect more than 10 lightings in total to AC mains

power in one interconnected daisy chain

When the voltage is 220V, Do not connect more than 20 lightings in total to AC mains power in one interconnected daisy chain

Before using the fixture, check that all power distribution equipment and cables are in perfect condition and rated for the current requirements of all connected devices.

Always ground (earth) the fixture electrically.

Avoiding hit the Light when you are move or install the light.

The minimum distance between light-output and the illuminated surface must be more than 0.5 meters. Keep all combustible materials (for example fabric, wood, paper) at least 0.2 meters away from the fixture.

Do not expose the fixture to rain or moisture.

Avoid looking directly into the light source (especially those who suffer from epileptic fits) Maximum ambient temperature (Ta) is 40°C. Do not operate fixture at temperatures higher than this.

The Maximum surface temperature is 50°C

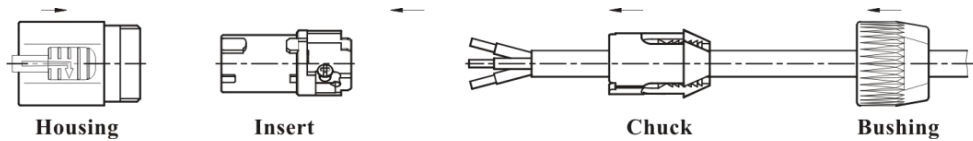
When suspending the fixture above ground level, verify that the structure can hold at least 10 times the weight of all installed devices.

Verify that all external covers and rigging hardware are securely fastened and use an approved means of secondary attachment such as a safety cable.

IV POWER CONNECTION

INSTALLING A NENUTRIK CONNECTOR ON A POWER CABLE





Put bushing and chuck onto the cable.

Prepare cable as shown above. The power cable must be a three-conductor 2.5mm² cable.

Insert the wire into the terminals and fasten the clamping device by a flat screw driver.

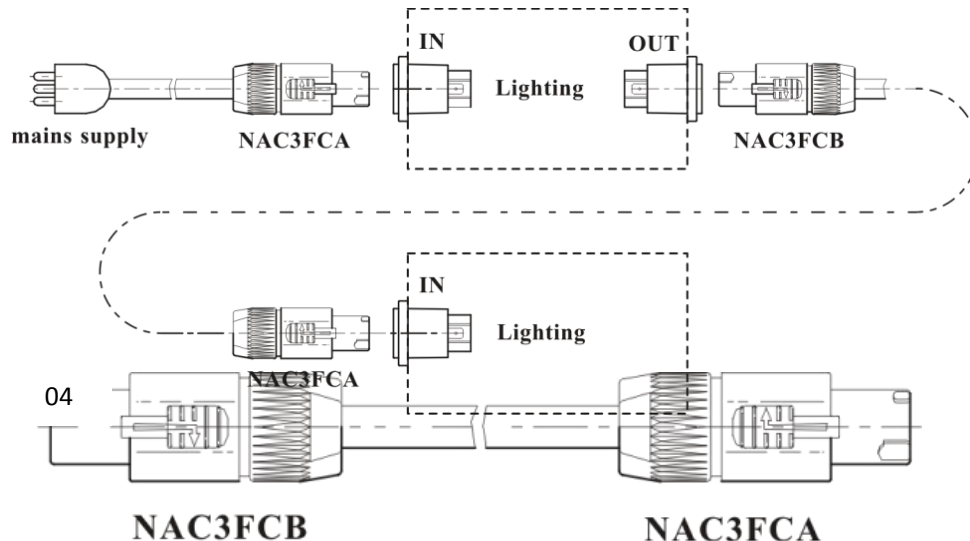
Push insert and chuck into housing (pay attention to the guiding keyway).

Fasten bushing.

The color-coding schemes and some possible pin identification schemes; if pins are not clearly identified, or if you have any doubts about proper installation, consult a qualified electrician.

RELAYING POWER TO OTHER DEVICES

The lightings can be linked in a chain by power cables which installed a blue and a light-gray connectors on the two ends. The light-gray connector connects to the power out socket of the first lighting, and the blue connector connects to the power in socket of the subsequent lighting, and so on.



The power cable must be a three-conductor 2.5mm² cable.

When the voltage is 110V, Do not connect more than 10 lightings in total to AC mains power in one interconnected daisy chain.

When the voltage is 220V, Do not connect more than 20 lightings in total to AC mains power in one interconnected daisy chain.

Wire color	Conductor	Symbol
Brown	Live	L
Blue	Neutral	N
Yellow/green	ground	\perp

PHYSICAL INSTALLATION

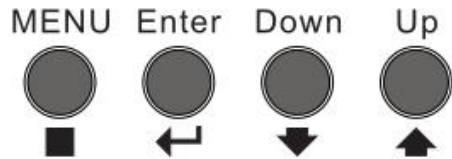
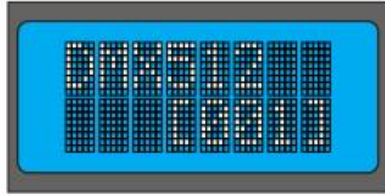
This lighting can be placed on a horizontal surface such as a stage or clamped to a truss or similar rigging structure in any orientation using a rigging clamp.

When suspending the fixture above ground level, verify that the structure can hold at least 10 times the weight of all installed devices.

Verify that all external covers and rigging hardware are securely fastened and use an approved means of secondary attachment such as a safety cable.

V CONTROL PANNEL

BUTTON



Adjust the key setting function on the control panel

Press "MENU"--->Display first -level menu--->

Press "Enter"--->Display second-level menu--->

Press "Down" & "Up" to adjust relevant function->

Press "Enter" and "MENU" to quit current menu

Press "Enter"---> To next first-level menu.

LED display	Function setting
DMX512 MODE	setting the DMX starting address from A001-A512
Dimmer R- [MODE]	setting the red color brightness 000-255
Dimmer G- [MODE]	setting the green color brightness 000-255
Dimmer B- [MODE]	setting the blue color brightness 000-255
Dimmer A- [MODE]	setting the amber color brightness 000-255
Dimmer L- [MODE]	setting the lemon color brightness 000-255
ColorTemp [MODE]	setting the CCT 1800K-9928K
Dimming [MODE]	Dimming 000-255
Strobe [MODE]	setting the strobe speed 000-012
Fade [MODE]	setting the fade speed 000-012
Auto [MODE]	setting the auto speed 000-012
CCS [MODE]	correcting function ON-OFF
CHANNEL [MODE]	setting DMX channels 12CH-6CH
PWM Frequency [MODE]	setting PWM frequency 1200Hz-20000Hz

Master/Slave Setting

1. Set the mast fixture to Dimmer or Strobe
2. Set each slave fixture to the same DMX001 (As show below)



VI DMX PROTOCOL

12CH MODE

CH	Name	Value	Function
CH1	Red	000←→255	Levels linear dimming
CH2	Green	000←→255	Levels linear dimming
CH3	Blue	000←→255	Levels linear dimming
CH4	Amber	000←→255	Levels linear dimming
CH5	Lemon	000←→255	Levels linear dimming
CH6	Color	000←→255	Levels RGBAL color mixing
CH7	CCT	000←→255	Levels linear dimming , CCT 1800K-10000K
CH8	Function	000←→009	Levels without function
		010←→127	Levels fade function
		128←→134	Levels without function
		135←→255	Levels auto function
CH9	Strobe	000←→009	Levels without function
		010←→255	Levels strobe function
CH10	Dim 4	000←→063	First-level dimming delay function
		064←→127	Second-level dimming delay function
		128←→191	Third-level dimming delay function
		192←→255	Fourth-level dimming delay function

CH11	Dimming	000↔→255	Levels master dimming
CH12	Dim fine	000↔→255	Levels dimmer fine

6CH MODE

CH	Name	Value	Function
CH1	Hue	000↔→255	Levels RGBAL color mixing
CH2	Saturation	000↔→255	Levels saturation adjustable
CH3	Intensity	000↔→255	Levels master dimming
CH4	Intensity fine	000↔→255	Levels dimmer fine
CH5	CCT	000↔→255	Levels linear dimming , CCT1800K-10000K
CH6	Strobe	000↔→009	Levels without function
		010↔→255	Levels strobe function

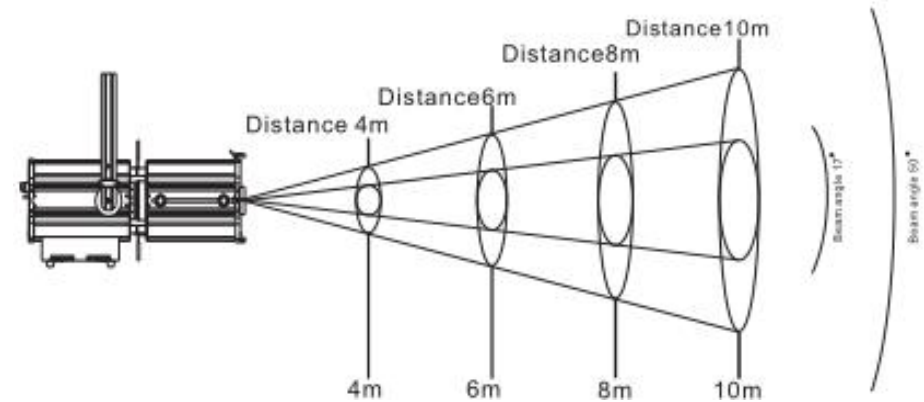
Note: Color Temperature (CCT) Ratio

DMX levels	CCT DATA	DMX levels	CCT DATA
000↔006	1800K↔2000K	131↔137	6000K↔6200K
006↔012	2000K↔2200K	137↔144	6200K↔6400K
012↔018	2200K↔2400K	144↔150	6400K↔6600K
018↔024	2400K↔2600K	150↔156	6600K↔6800K
024↔030	2600K↔2800K	156↔162	6800K↔7000K
030↔036	2800K↔3000K	162↔169	7000K↔7200K
036↔044	3000K↔3200K	169↔175	7200K↔7400K
044↔050	3200K↔3400K	175↔181	7400K↔7600K
050↔056	3400K↔3600K	181↔187	7600K↔7800K
056↔062	3600K↔3800K	187↔194	7800K↔8000K
062↔069	3800K↔4000K	194↔200	8000K↔8200K
069↔075	4000K↔4200K	200↔206	8200K↔8400K
075↔081	4200K↔4400K	206↔212	8400K↔8600K
081↔087	4400K↔4600K	212↔219	8600K↔8800K
087↔094	4600K↔4800K	219↔225	8800K↔9000K
094↔100	4800K↔5000K	225↔231	9000K↔9200K
100↔106	5000K↔5200K	231↔237	9200K↔9400K
106↔112	5200K↔5400K	237↔244	9400K↔9600K
112↔119	5400K↔5600K	244↔250	9600K↔9800K
119↔125	5600K↔5800K	250↔255	9800K↔10000K
125↔131	5800K↔6000K		

VII TECHNICAL SPECIFICATION

- Input power: AC100~240V, 50/60Hz
- Power consumption: 400W
- Light sources: COB 500W LED 5 IN 1, RGBAL
- LED lifespan: 50,000hours
- Dimmer: 0~100%, 0-15% smoothly dimmer
- Control mode: DMX-512; RDM; Master/Slave Operation
- DMX channel: 12CH/6CH
- Focus: manual focus adjustable
- Light visor: optional
- IP rating: Indoor, IP20
- Housing material: aluminum alloy
- Working temperature: -20°C-40°C (-4° F-104° F)

VIII LUX CHART



LED Profile Light

Illumination Center/Lux	R	504	236	129	76	Beam angle 17°
	G	1053	446	250	152	
	B	311	142	80	49	
	A	920	400	222	133	
	L	2205	952	527	315	
Beam Diameter/cm		120	179	240	299	

Illumination Center/Lux	R	162	77	44	26	Beam angle 50°
	G	317	142	83	54	
	B	100	45	28	19	
	A	280	129	75	48	
	L	671	300	171	107	
Beam Diameter/cm		225	378	429	631	

IX APPENDIX

Problem and solution

Problem	Reason	Resolution
Device not work	No power	AC100-240V, 50/60Hz Check the power connection, and make sure device connect the mains in well condition. Check if the fuse is good.
LED Bulb is off	LED bulb damaged	Replacing LED bulb
	LED drive board damaged	Replacing LED drive board
	Temperature switch damaged	Replacing temperature switch
Fans not work	Fans damaged	Replacing fans

Caution

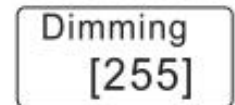
- Unqualified person involved with installation, operation and maintenance of this device is prohibited

- If any above mentioned problem happened, or unknown problem happened, please contact manufacturer or distributor for assistance.

X PLEASE NOTE

1. 《Dimming、Brightness Function》

Before using the fixture, you should check whether (Dimming, brightness function) is turned on. As shown in figure ①, the factory setting is on. This function should be checked when the fixture does not turn on when the lamp is turned on. It is not affected by this function in DMX mode.



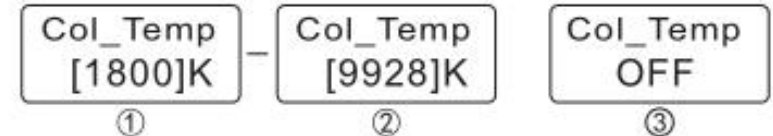
①

2. 《ColorTemp》

Master/Slave Mode, Color temp (CCT) adjustable from 1800K to 9928K

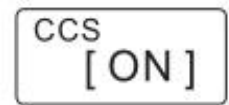
As show below ①②, factory setting as below ③.

(If the Color temp function is enabled, the R G B W function cannot be used alone. If you want to use the RGBW function alone, you must turn off Color temp).



3. 《CCS、Color Calibration System》

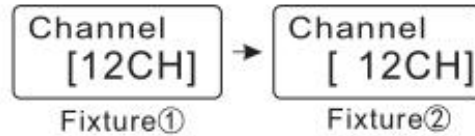
If more than two fixtures have different output colors, check that the whether correcting settings for each fixture are consistent, as show below ①. Factory setting: ON.



①

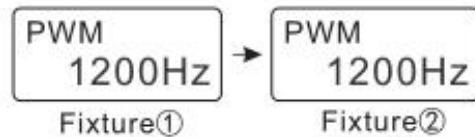
4. 《Channels Function》

This fixture has 6-channel mode and 12-channel mode selection. In DMX512 mode, If more than two fixtures have different settings, check whether the channel functions are consistent. as show below ①②. Factory setting[12CH].



5. 《PWM Function》

In DMX, Master/Slave mode, If the dimming smoothness and color output are different on more than two fixtures, check that whether the PWM settings are consistent. as show below ①②. Factory setting[1200Hz].



6. 《RDM Function》

If use the RDM function, that must use the console to search each fixture and change the fixture address code in the DMX 512 mode.

Identification Code: each fixture has an identification code as show below①, the identification code of each fixture is different, Please check he fixture label. ①



7. 《DMX512 Function》

In D M X mode, the LED display is normal when there is no DMX5 1 2 signal input, and the LED display is lights up when the DMX5 1 2 signal is input

Innovation, Quality, Performance, Achieving Users' Value!