


400W Bicolor LED Profile Spot Light

VG-LVF400Z-B



CE RoHS

User Manual

 Please read this user manual before using this product!

Keep it for further reference!

<http://www.vangaa.com>

INDEX

I PRODUCT MAIN FEATURES.....	01
II OVERVIEW AND DIMENSIONS.....	02
III SAFETY INFORMATION.....	02
IV POWER CONNECTION.....	03
V CONTROL PANNEL.....	05
VI DMX PROTOCOL.....	07
VII TECHNICAL SPECIFICATION.....	07
VIII LUX CHART.....	08
IX APPENDIX.....	09

Thank you for using our product! Please read this manual carefully and completely. For technical reference in future, please keep this user manual well. This user manual contains all installation and operation information of this LED Profile Spot Light, it's very useful for user to install and operate the light. Please strictly abide by the relevant instruction for the installation and operation.

This light has very beautiful appearance. Based on the LED Film and Television Light Technology, using high brightness COB LED chips beads matrix arrangement of large area, through the whole aluminum shell to realize heat dissipation naturally, we have designed this light. This light has high brightness, good head dissipation, ultra-quiet and other features. It can satisfy the requirement of indoor movie filming for the lighting layout. It is a good substitute of the traditional Fresnel spot light, which is very suitable for the studio room, TV station, Meeting room, stage, show and other entertainment places.

This light meets the following criteria:

GB7000.1-2007/IEC60598-1:2003

GB7000.217-2008/IEC60598-2-17:1984+A2:1990

I PRODUCT MAIN FEATURES

The light's lighting function is controlled by DMX-512 and RDM, very convenient;

Using international standard (1990) DMX single, digital control panel display;

With 4/7 DMX channel layout, every color can be controlled;

Dimmer range: 0~100%, 0~15% dimmer smoothly;

CRI more than 92, 1800-10000K color temperature adjustable, light effective distance is 3~50 meters;

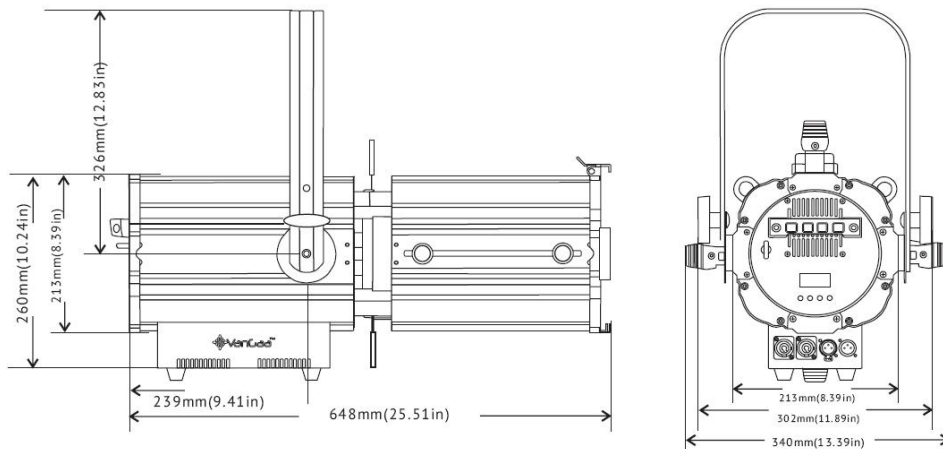
Cast aluminum radiator, equips copper tube radiator, and mute fan cooling, realize the

silent, intelligent temperature control system, improve the quality of our products stable performance, apply to indoor installation.

Using brand LED chips, integrated encapsulation, improve reliability and long lifespan.

Using the advanced optical reflective material, make the light on the projection distance and brightness is higher than traditional film soft light.

II OVERVIEW AND DIMENSIONS



All dimensions are in millimeters

III SAFETY INFORMATION

※Important

Every person involved with the installation, operation and maintenance of this device has to be qualified and follow the instructions of this manual. Manufacturer will not with responsibility for those operations which are not according to this Instruction.

Verify that the voltage matches the rated voltage.

When the voltage is 110V, Do not connect more than 10 lightings in total to AC mains

power in one interconnected daisy chain

When the voltage is 220V, Do not connect more than 20 lightings in total to AC mains power in one interconnected daisy chain

Before using the fixture, check that all power distribution equipment and cables are in perfect condition and rated for the current requirements of all connected devices.

Always ground (earth) the fixture electrically.

Avoiding hit the Light when you are move or install the light.

The minimum distance between light-output and the illuminated surface must be more than 0.5 meters. Keep all combustibile materials (for example fabric, wood, paper) at least 0.2 meters away from the fixture.

Do not expose the fixture to rain or moisture.

Avoid looking directly into the light source (especially those who suffer from epileptic fits) Maximum ambient temperature (Ta) is 40°C. Do not operate fixture at temperatures higher than this.

The Maximum surface temperature is 50°C

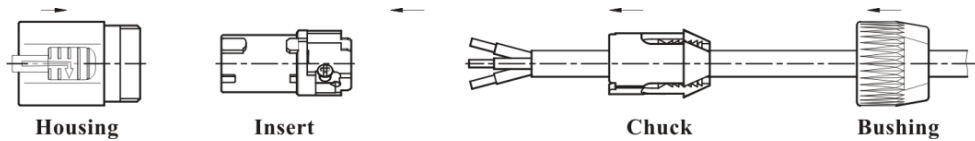
When suspending the fixture above ground level, verify that the structure can hold at least 10 times the weight of all installed devices.

Verify that all external covers and rigging hardware are securely fastened and use an approved means of secondary attachment such as a safety cable.

IV POWER CONNECTION

INSTALLING A NENUTRIK CONNECTOR ON A POWER CABLE





Put bushing and chuck onto the cable.

Prepare cable as shown above. The power cable must be a three-conductor 2.5mm² cable.

Insert the wire into the terminals and fasten the clamping device by a flat screw driver.

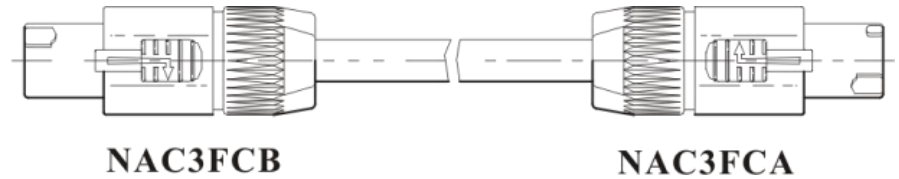
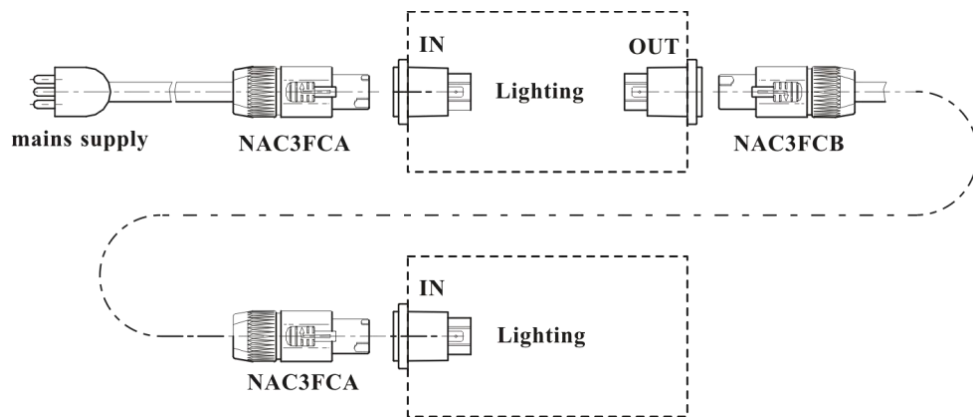
Push insert and chuck into housing (pay attention to the guiding keyway).

Fasten bushing.

The color-coding schemes and some possible pin identification schemes; if pins are not clearly identified, or if you have any doubts about proper installation, consult a qualified electrician.

RELAYING POWER TO OTHER DEVICES

The lightings can be linked in a chain by power cables which installed a blue and a light-gray connectors on the two ends. The light-gray connector connects to the power out socket of the first lighting, and the blue connector connects to the power in socket of the subsequent lighting, and so on.



The power cable must be a three-conductor 2.5mm² cable.

When the voltage is 110V, Do not connect more than 10 lightings in total to AC mains power in one interconnected daisy chain.

When the voltage is 220V, Do not connect more than 20 lightings in total to AC mains power in one interconnected daisy chain.

Wire color	Conductor	Symbol
Brown	Live	L
Blue	Neutral	N
Yellow/green	ground	\perp

PHYSICAL INSTALLATION

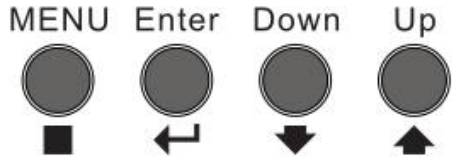
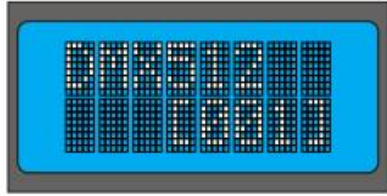
This lighting can be placed on a horizontal surface such as a stage or clamped to a truss or similar rigging structure in any orientation using a rigging clamp.

When suspending the fixture above ground level, verify that the structure can hold at least 10 times the weight of all installed devices.

Verify that all external covers and rigging hardware are securely fastened and use an approved means of secondary attachment such as a safety cable.

V CONTROL PANNEL

BUTTON



Adjust the key setting function on the control panel

Press "MENU"--->Display first -level menu--->

Press "Enter"--->Display second-level menu--->

Press "Down"&"Up"to adjust relevant function->

Press "Enter"and"MENU"to quit current menu

Press "Enter"---> To next first-level menu.

LCD Display	Function Setting
DMX512 MODE	Setting the DMX starting from 001- 512
Dimming [MODE]	Dimming 000-255
Strobe [MODE]	Setting the strobe speed 00- 12
Channel [MODE]	Setting DMX Channels 1CH/ 4CH
PWM [MODE]	Setting PWM refresh frequency 1200Hz- 20000Hz

Master/Slave Setting

1. Set the mast fixture to Dimmer or Strobe
2. Set each slave fixture to the same DMX001 (As show below)



VI DMX PROTOCOL

7CH MODE

CH	Name	Value	Function
CH1	Warm white	000←→255	3200K linear dimming
CH2	Cold white	000←→255	5600K linear dimming
CH3	CCT	000←→255	Color temperature control from 3200-5600k
CH4	Strobe	000←→009 010←→255	Levels without function Levels strobe function
CH5	Dim 4	000←→063 064←→127 128←→191 192←→255	First-level dimming delay function Second-level dimming delay function Third-level dimming delay function Fourth-level dimming delay function
CH6	General Dimming	000←→255	Master dimming
CH7	Dim fine	000←→255	Levels dimmer fine

4CH MODE

CH	Name	Value	Function
CH1	Warm white	000←→255	3200K linear dimming
CH2	Cold white	000←→255	5600K linear dimming
CH3	CCT	000←→255	Color temperature control from 3200-5600k
CH4	General Dimming	000←→255	Master dimming

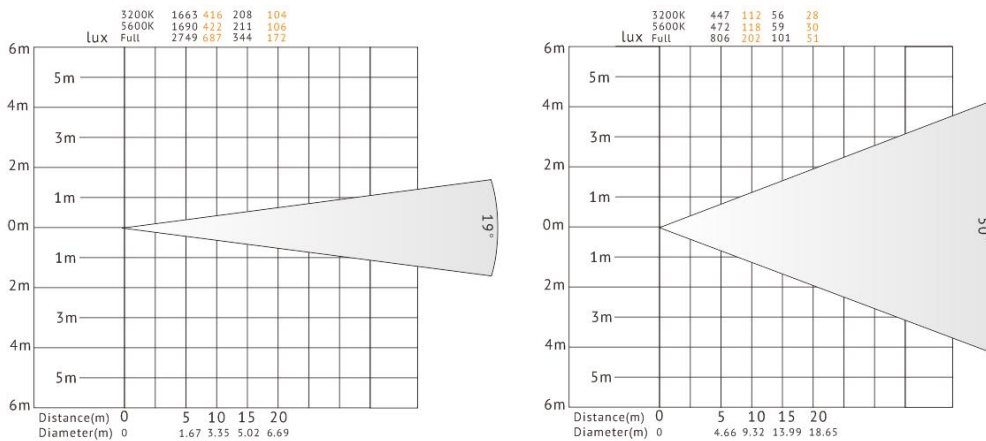
VII TECHNICAL SPECIFICATION

·Input power: AC100~240V, 50/60Hz

·Power consumption: 400W

- Light sources: 1pcs 400W LED, 3200-5600K, CRI>90
- LED lifespan: 50,000hours
- Dimmer: 0~100%, 0-15% smoothly dimmer
- Control mode: DMX-512; RDM; Master/Slave Operation
- DMX channel: 7CH, 4CH
- Focus: manual focus adjustable
- Light visor: optional
- IP rating: Indoor, IP20
- Housing material: aluminum alloy
- Working temperature: -20°C-40°C (-4° F-104° F)

VIII LUX CHART



The Lux Chart of VG-LVF400Z-B

IX APPENDIX

Problem and solution

Problem	Reason	Resolution
Device not work	No power	AC100-240V, 50/60Hz Check the power connection, and make sure device connect the mains in well condition. Check if the fuse is good.
LED Bulb is off	LED bulb damaged	Replacing LED bulb
	LED drive board damaged	Replacing LED drive board
	Temperature switch damaged	Replacing temperature switch
Fans not work	Fans damaged	Replacing fans

Caution

- Unqualified person involved with installation, operation and maintenance of this device is prohibited
- If any above mentioned problem happened, or unknown problem happened, please contact manufacturer or distributor for assistance.