


RGBW 4IN1 LED PROFILE SPOT LIGHT

VG-LVF150C



USER MANUAL

 Caution: please read this user manual carefully before you initially start-up.

<http://www.vangaa.com>

INDEX

I INTRODUCTION	01
II ATTENTION	01
III MAIN FEATURES	01
IV TECHNICAL SPECIFICATION	02
V DIMENSION.....	03
VI CONTROL PANEL AND MENU	04
VII INSTALLATION AND CONNECTION	06
VIII FUNCTION	07
IX DMX CHANNEL CHART.....	09
X ILLUMINATION	09

I . INTRODUCTION

Thank you for having chosen our company's products. For your own safety, please read this user manual carefully before installing the device.

We are very glad to offer you our best quality product and service to make you satisfied.

Please check that there has been no damage caused in transportation and the following items are enclosed.

LED Profile Spot Light	1PC
User Manual	1PC

II . ATTENTION

1. Do NOT put or work the product in the Humid or Wet area; DO NOT work when the temperature is over 35 C°;
2. Do NOT place the product in the area which could be share or easy to be shaved;
3. When using the light, the input power voltage couldn't change over $\pm 10\%$, if the input power higher than the related voltage, it will reduce the lifespan of the light, if the power lower, it will reduce the color and brightness of the light;
4. This product is for professional using and maintenance only.

III. MAIN FEATURES

200W COB RGBW 4in1 LED Profile Spot Light;

High power brightness light can replace the traditional light;

Linear dimmer 0-100%;

LCD control panel.

IV. TECHNICAL SPECIFICATION

Light Sources

·LED: 1pc 200W(output 180W) RGBW 4in1 COB LED Lamp

·Lifespan: 50000h

·Color: RGBW colorful

Optics

·Beam angle: 19degree/26degree/36degree/50degree are optional, fixed lens

·Dimmer: 0-100% linear dimmer

·Strobe: 1-25 times/second

Light Output

·Luminous flux: 28200lm

·Illuminance: 25200 Lux (2m 19° 3200K)

·Optimal projection distance: 4-30m

Control

·Control mode: DMX-512; Master/slave; Demo

·DMX channel: 9CH

·Display of control panel: LCD display + 4 buttons

Power Supply

·Related voltage: AC100V-240V, 50/60Hz

·Related power: 200W

Construction

·Body dimension: D645*W260*H250mm

·Net weight: 7.5kg

·Shell color: black/white

·Shell material: ABS

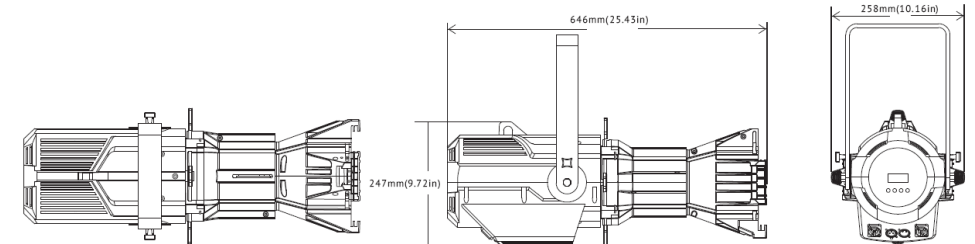
Working Environment

·Working temperature: -25-40°C

·Cooling: mute fan, Aluminum radiator

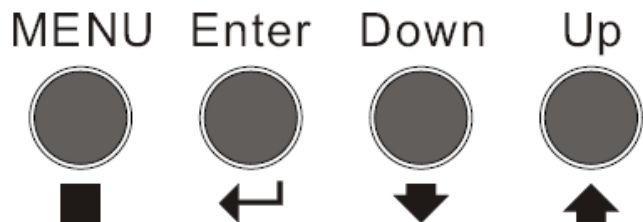
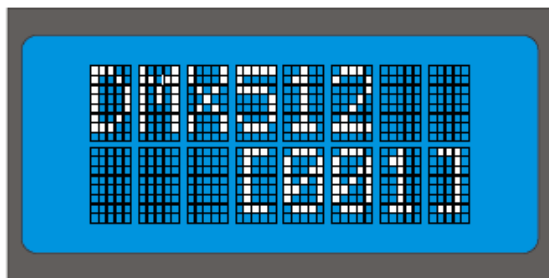
·Protection rating: IP20

V. DIMENSION



VI. CONTROL PANEL AND MENU

Display Panel



[After you have selected the functions, you can press **ENTER** to keep.]

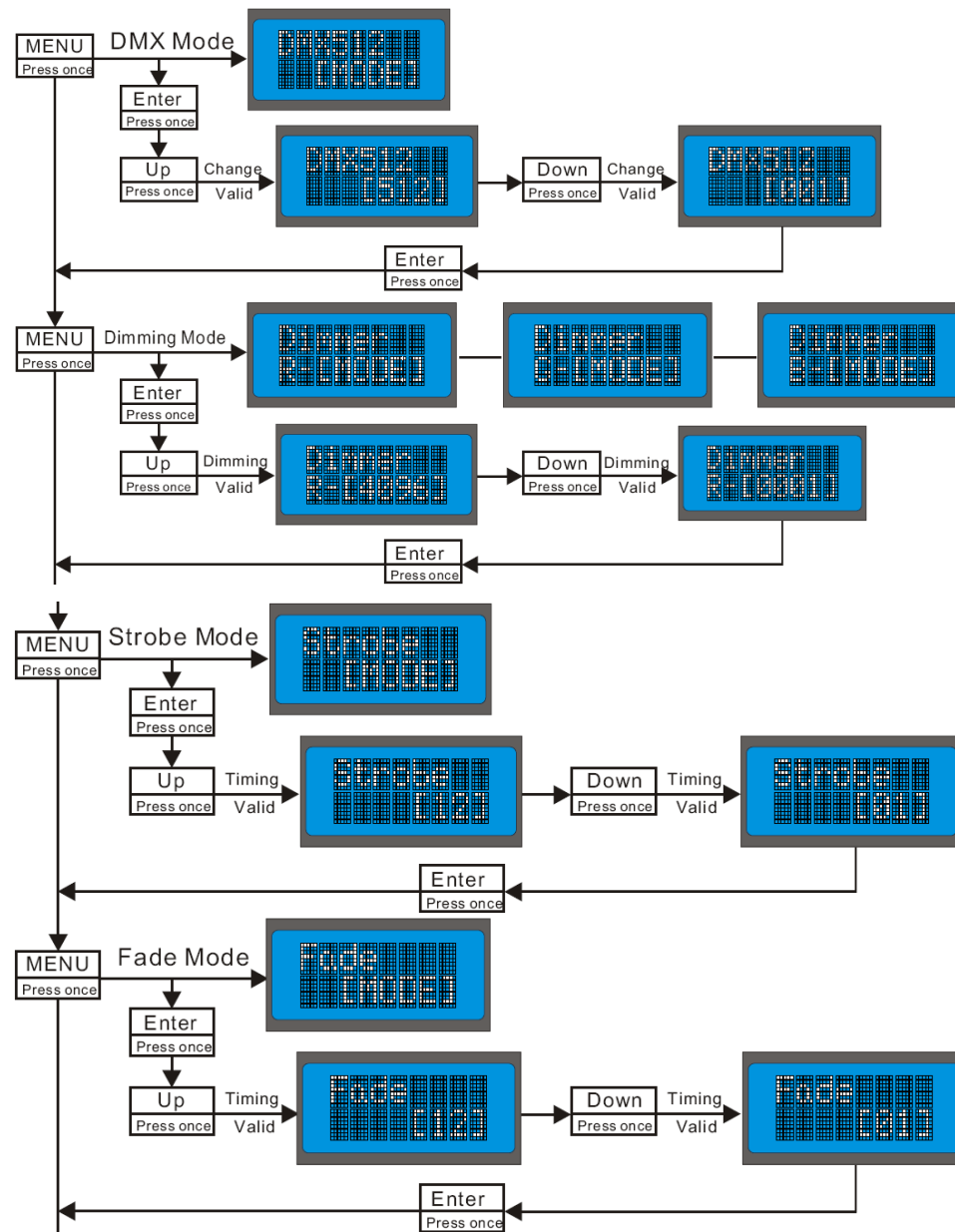
MODE: function/mode selection key

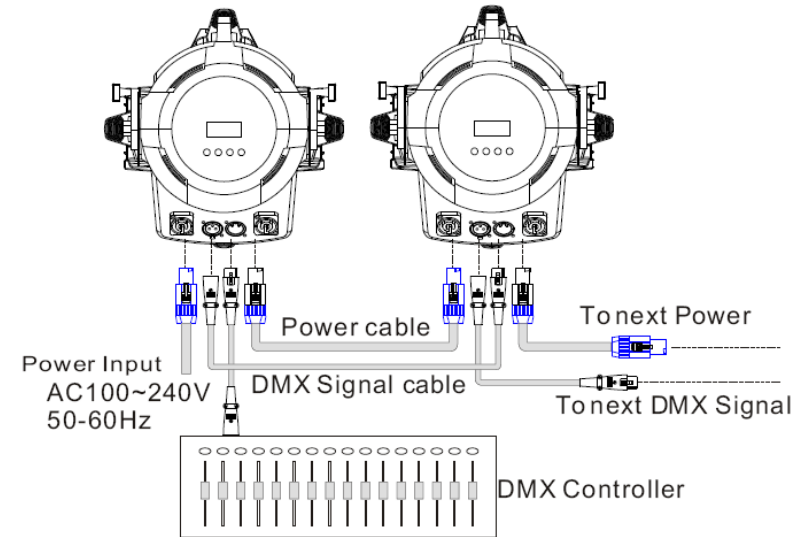
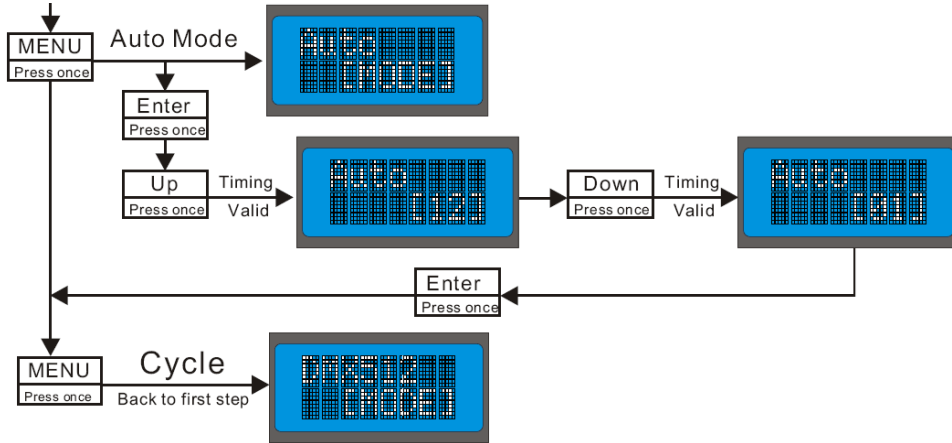
ENTER: confirm/keep key

DOWN: reduce key

UP: increase key

Menu Map





VII. INSTALLATION AND CONNECTION

Installation



stand



hanging

Connection

VIII. FUNCTION

1. DMX Mode

DMX Mode

DMX Address Allocation: 001-512

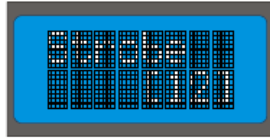
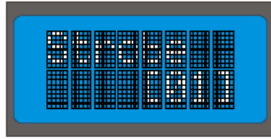
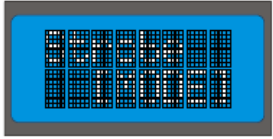
2. Dimming Mode

Dimming Mode

Brightness adjust: 0001-4096 Dimming

3. Strobe Mode

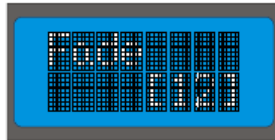
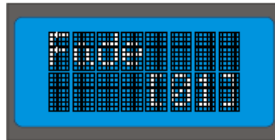
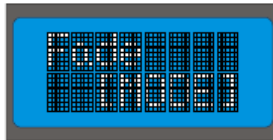
■ Strobe Mode



Strobe/Speed : 01-12 Dimming

4. Fade Mode

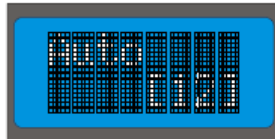
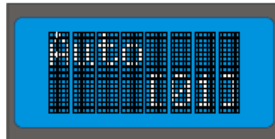
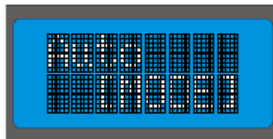
■ Fade Mode



Fade/Speed : 01-12 Dimming

5. Auto Mode

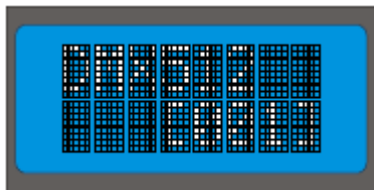
■ Auto Mode



Auto/Speed : 01-12 Dimming

7. Master/slave Setting

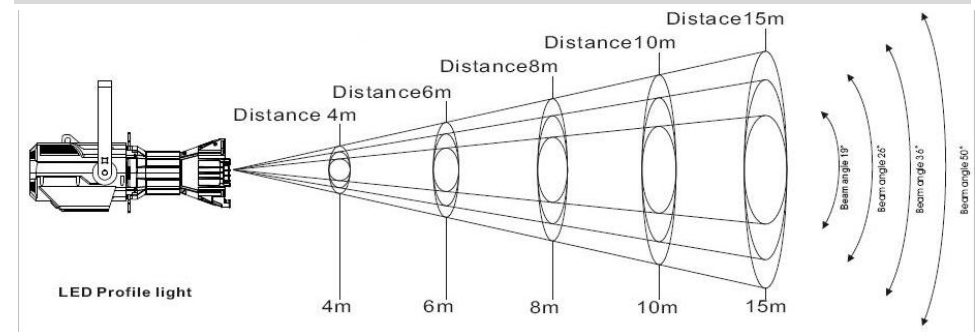
1. Master light: set at Dimming/Strobe/Fade/Auto mode;
2. Slave lights: set at DMX 001 (as below picture)



IX. DMX CHANNEL CHART

CHANNEL	NUMERIC	EFFECT
1	000-255	Red dimmer
2	000-255	Green dimmer
3	000-255	Blue dimmer
4	000-255	White dimmer
5	000-255	Macro colors
6	000-010 011-135 136-255	Function Invalid Color fade Color change
7	000-010 011-255	Strobe Invalid Strobe, from slow to fast
8	000-064 065-128 129-192 193-255	4 Dim dim 1 dim 2 dim 3 dim 4
9	000-255	All dimmer

X. ILLUMINATION



USER MANUAL

RGBW 4IN1 LED PROFILE SPOT LIGHT

19°	Spot diameter/cm	124	280	248	315	503
26°	Spot diameter/cm	135	277	370	462	693
36°	Spot diameter/cm	220	360	430	620	900
50°	Spot diameter/cm	373	560	746	933	1400

Technology, Innovate, Service, Create Max. Value for Clients!

VanGaa, Achieving Users' Value!