


LED Cyclorama Light

VG-LB363



CE RoHS

User Manual

 Please read this user manual before using this product!

Keep it for further reference!

<http://www.vangaa.com>

INDEX

I PRODUCT MAIN FEATURES..... 01

II OVERVIEW AND DIMENSIONS.....01

III SAFETY INFORMATION.....02

IV POWER CONNECTION.....03

V CONTROL PANNEL.....05

VI DMX PROTOCOL..... 07

VII TECHNICAL SPECIFICATION..... 08

Thank you for using our product! Please read this manual carefully and completely. For technical reference in future, please keep this user manual well. This user manual contains all installation and operation information of this colorful LED Sky And Earth Light, it's very useful for user to install and operate the light. Please strictly abide by the relevant instruction for the installation and operation.

This LED Sky And Earth light adopts plate material shell made with beautiful shape, high efficiency and energy saving, durability, it is suitable for indoor use. This product strictly according to CE standard design and production, complete with international standard DMX512 agreement, both single machine control, also can be controlled by connected with, suitable for large art performance, theatres, studio, discos and other places of use. It's special designed for the stage curtain, wall wash and other using. It's widely used for touring performance, construction, lighting, theater, discos, bars and other entertainment places.

This light meets the following criteria:

GB7000.1-2007/IEC60598-1:2003

GB7000.217-2008/IEC60598-2-17:1984+A2:1990

I PRODUCT MAIN FEATURES

- 8CH, 4CH DMX control channels, LCD display control panel;
- Long lifespan high brightness LEDs can reach to 50,000hours;
- High-efficiency, power-saving, low heat.

II OVERVIEW AND DIMENSIONS



All dimensions are in millimeters

III SAFETY INFORMATION

※Important

Every person involved with the installation, operation and maintenance of this device has to be qualified and follow the instructions of this manual. Manufacturer will not with responsibility for those operations which are not according to this Instruction.

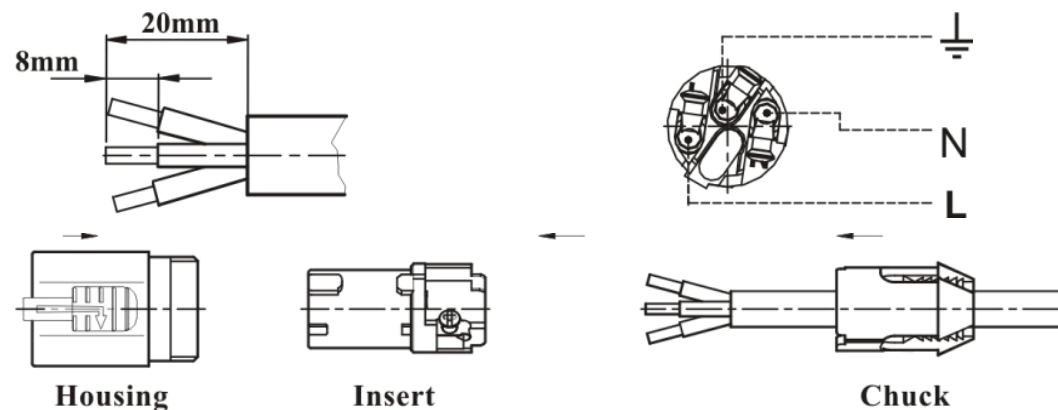
- Verify that the voltage matches the rated voltage.
- When the voltage is 110V , Do not connect more than 10 lightings in total to AC mains power in one interconnected daisy chain
- When the voltage is 220V , Do not connect more than 20 lightings in total to AC mains power in one interconnected daisy chain
- Before using the fixture, check that all power distribution equipment and cables are in perfect condition and rated for the current requirements of all connected devices.
- Always ground (earth) the fixture electrically.
- Avoiding hit the Light when you are move or install the light.
- The minimum distance between light-output and the illuminated surface must be more than 0.5 meters. Keep all combustible materials (for example fabric, wood, paper) at least 0.2 meters away from the fixture.
- Do not expose the fixture to rain or moisture.
- Avoid looking directly into the light source (especially those who suffer from epileptic

fits)

- Maximum ambient temperature (T_a) is 40°C. Do not operate fixture at temperatures higher than this.
- The Maximum surface temperature is 50°C
- When suspending the fixture above ground level, verify that the structure can hold at least 10 times the weight of all installed devices.
- Verify that all external covers and rigging hardware are securely fastened and use an approved means of secondary attachment such as a safety cable.

IV POWER CONNECTION

INSTALLING A NENUTRIK CONNECTOR ON A POWER CABLE

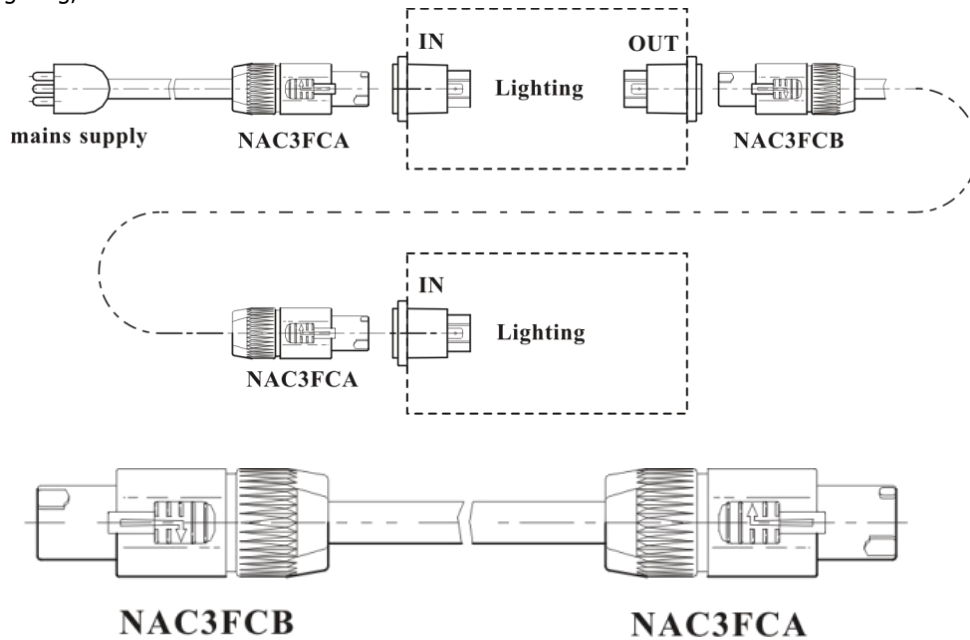


- Put bushing and chuck onto the cable.
- Prepare cable as shown above. The power cable must be a three-conductor 2.5mm² cable.
- Insert the wire into the terminals and fasten the clamping device by a flat screw driver.
- Push insert and chuck into housing (pay attention to the guiding keyway).
- Fasten bushing.

The color-coding schemes and some possible pin identification schemes; if pins are not clearly identified, or if you have any doubts about proper installation, consult a qualified electrician.

RELAYING POWER TO OTHER DEVICES

The lightings can be linked in a chain by power cables which installed a blue and a light-gray connectors on the two ends. The light-gray connector connects to the power out socket of the first lighting, and the blue connector connects to the power in socket of the subsequent lighting, and so on.



The power cable must be a three-conductor 2.5mm² cable.

When the voltage is 110V, Do not connect more than 10 lightings in total to AC mains power

in one interconnected daisy chain.

When the voltage is 220V, Do not connect more than 20 lightings in total to AC mains power in one interconnected daisy chain.

Wire color	Conductor	Symbol
Brown	Live	L
Blue	Neutral	N
Yellow/green	ground	\perp

PHYSICAL INSTALLATION

This lighting can be placed on a horizontal surface such as a stage or clamped to a truss or similar rigging structure in any orientation using a rigging clamp.

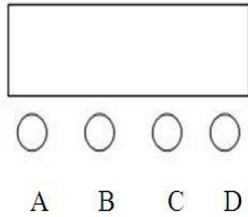
When suspending the fixture above ground level, verify that the structure can hold at least 10 times the weight of all installed devices.

Verify that all external covers and rigging hardware are securely fastened and use an approved means of secondary attachment such as a safety cable.

V CONTROL PANNEL

BUTTON

1. Graphical part



- A. MENU
- B. UP
- C. DOWN
- D. ENTER

Operation instructions: Press function key A to cycle out different functions, press B or C key to modify its parameter value. Press D to confirm.

MENU Call the main menu, or escape the current menu, (i.e. return to the upper menu and give up the selected item or parameter).

UP Browse the menu item forward or increase the parameter.

DOWN Browse the menu item backward or decrease the parameter.

ENTER Confirm the selected item or parameter, (i.e. enter into the next menu, or escape the current menu and save the selected item or parameter).

MAIN MENU

The way into the menu as below:

1. Press **ENTER** when the display show the title information;
2. Press **UP** or **DOWN** button to choose the right menu which you need;
3. Press **ENTER** into the menu;
4. Press **UP** and **DOWN** button to set the parameter or setting;
5. Press **ENTER** to save the setting;
6. Press **MENU/SET** button to back.

MENU FUNCTION SETTINGS

Use the display and button to set different function, see the below diagram.

No.	Menu	Menu Function	Description
1	d001	DMX512 address code setting001	Press the up and down keys to adjust the address code, and press the OK key to save.
2	CH-8/4	mode selection	Press the up and down keys to adjust the address code, and press the OK key to save.
3	r255	Red light brightness adjustment	Press the up and down keys to adjust the red light brightness, and press the OK key to save.
4	G255	Green light brightness adjustment	Press the up and down keys to adjust the brightness of the green light and press the OK key to save.
5	b255	Blue brightness adjustment	Press the up and down keys to adjust the blue light brightness, and press the OK key to save.
6	H255	white light brightness adjustment	Press the up and down keys to adjust the brightness of the white light, and press the OK key to save.
7	Pr01	Built-in program setting	Press the up and down keys to select the built-in program, and press the OK key to save.
8	SP01	Built-in program speed setting 16	Press the up and down keys to select the built-in program speed, and press the OK key to save.
9	AUTO/AIDI	Auto/Sound Activity control	Press the up and down keys to select, and press the OK key to save.
10	MOD1-4	Four kinds of dimming curve selection	Press the up and down keys to select, and press the OK key to save.
11	EP00/01	Signal hold selection	Press the up and down keys to select, and press the OK key to save.
12	EP00/01	Signal hold selection	Press the up and down keys to select, and press the OK key to save.
13	PRI0/1	Controller priority selection	Press the up and down keys to select, and press the OK key to save.
14	BL-0/1	Screen off selection	Press the up and down keys to select, and press the OK key to save.
15	DISP	Display reverse display selection	Press the up and down keys to select forward display and reverse display.
16	T25	LED working temperature display	Display the current working temperature of the LED.

VI DMX PROTOCOL

8CH MODE

CH	Name	Value	Function
CH1	Total dimming	000←→255	R,G,B,W total dimming, linear dimming , from dark to bright
CH2	R dimming	000←→255	Linear dimming, from dark to bright
CH3	G dimming	000←→255	Linear dimming, from dark to bright
CH4	B dimming	000←→255	Linear dimming, from dark to bright
CH5	W dimming	000←→255	Linear dimming, from dark to bright

CH6	Total strobe	000←→255	R,G,B,W total strobe, from slow to fast
CH7	Macro function	000←→020 021←→255	The first 6 channels are enabled Corresponds to the built-in program
CH8	Macro function speed	000←→255	Upward speed slows down, 0 is the fastest speed

4CH MODE

CH	Name	Value	Function
CH1	Total dimming	000←→255	R,G,B,W total dimming, linear dimming , from dark to bright
CH2	Total strobe	000←→255	R,G,B,W total strobe, from slow to fast
CH3	Macro function	000←→020 021←→255	The first 2 channels are enabled Corresponds to the built-in program
CH4	Macro function speed	000←→255	Upward speed slows down, 0 is the fastest speed

In the address code state, after multiple machines are connected, if the controller is not connected, the master-slave connection function can be realized, and one of the devices can be operated, and the other devices in the address d001 state will run the program synchronously with the host. After the controller is turned on, if the controller signal is received, the d of the address code will become A, and the device in the address state can be controlled by the controller.

VII TECHNICAL SPECIFICATION

Power supply: AC100 -240V/50 -60Hz

Power consumption: 100 W

LED unit: 36 × 3 W LED (R:9pcs G:9pcs B:9pcs A:9pcs)

Beam angle: 90°

DMX channel: 8 standard DMX channels

Feature: mixed uniform light, stable function, with temperature detection protection function, 16bit PWM dimming, 1-20Hz independent electronic strobe, with Auto, DMX, master-slave functions

Working environment: 40 °C

Application fields: studio, theater, background project, wall

washing Protection rating: IP20

Dimension size: 295 × 245 × 180 mm

Packing size: 428 × 260 × 390 mm

NW: 4.9 Kg

GW: 6 Kg

Innovation, Quality, Performance, Achieving Users' Value!