


LED Cyclorama Light

VG-LB300



CERoHS

User Manual

 Please read this user manual before using this product!

Keep it for further reference!

INDEX

I PRODUCT MAIN FEATURES..... 01

II OVERVIEW AND DIMENSIONS..... 01

III SAFETY INFORMATION..... 02

IV POWER CONNECTION..... 03

V CONTROL PANNEL..... 05

VI DMX PROTOCOL..... 07

VII TECHNICAL SPECIFICATION..... 07

technical reference in future, please keep this user manual well. This user manual contains all installation and operation information of this LED Cyclorama Light, it's very useful for user to install and operate the light. Please strictly abide by the relevant instruction for the installation and operation.

This light has very beautiful appearance. Based on the LED Film and Television Flat Light, using high brightness led beads matrix arrangement of large area, through the whole aluminum shell to realize heat dissipation naturally, we have designed this light. This light has high brightness, good head dissipation, ultra-quiet and other features. It can satisfy the requirement of indoor movie filming for the lighting layout. It is a good substitute of the traditional ground panel light.

This light meets the following criteria:

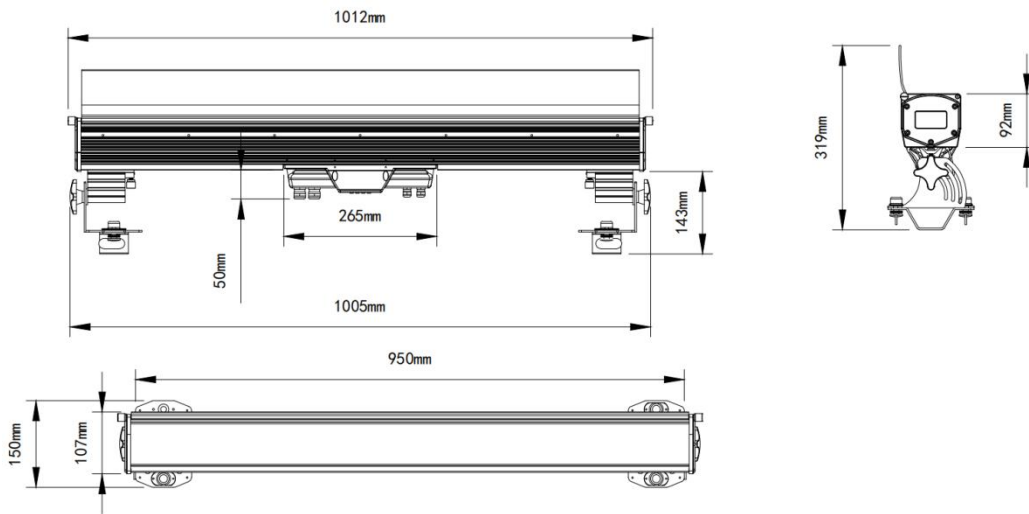
GB7000.1-2007/IEC60598-1:2003

GB7000.217-2008/IEC60598-2-17:1984+A2:1990

I PRODUCT MAIN FEATURES

- 9CH DMX control channels, digital show control panel;
- DMX512, auto-run and master/slave four kinds control mode;
- IP65 protect rating;
- With strobe stage effect;
- Long lifespan high brightness LEDs can reach to 50,000hours;
- High-efficiency, power-saving, low heat.

II OVERVIEW AND DIMENSIONS



All dimensions are in millimeters

III SAFETY INFORMATION

※Important

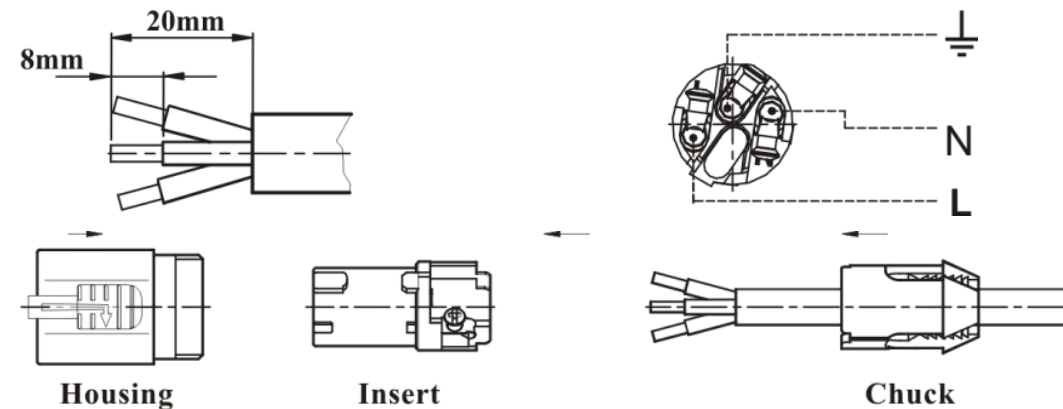
Every person involved with the installation, operation and maintenance of this device has to be qualified and follow the instructions of this manual. Manufacturer will not with responsibility for those operations which are not according to this Instruction.

- Verify that the voltage matches the rated voltage.
- When the voltage is 110V , Do not connect more than 10 lightings in total to AC mains power in one interconnected daisy chain
- When the voltage is 220V , Do not connect more than 20 lightings in total to AC mains power in one interconnected daisy chain
- Before using the fixture, check that all power distribution equipment and cables are in perfect condition and rated for the current requirements of all connected devices.
- Always ground (earth) the fixture electrically.
- Avoiding hit the Light when you are move or install the light.

- The minimum distance between light-output and the illuminated surface must be more than 0.5 meters. Keep all combustible materials (for example fabric, wood, paper) at least 0.2 meters away from the fixture.
- Do not expose the fixture to rain or moisture.
- Avoid looking directly into the light source (especially those who suffer from epileptic fits)
- Maximum ambient temperature (Ta) is 40°C. Do not operate fixture at temperatures higher than this.
- The Maximum surface temperature is 50°C
- When suspending the fixture above ground level, verify that the structure can hold at least 10 times the weight of all installed devices.
- Verify that all external covers and rigging hardware are securely fastened and use an approved means of secondary attachment such as a safety cable.

IV POWER CONNECTION

INSTALLING A NENUTRIK CONNECTOR ON A POWER CABLE



- Put bushing and chuck onto the cable.
- Prepare cable as shown above. The power cable must be a three-conductor 2.5mm²

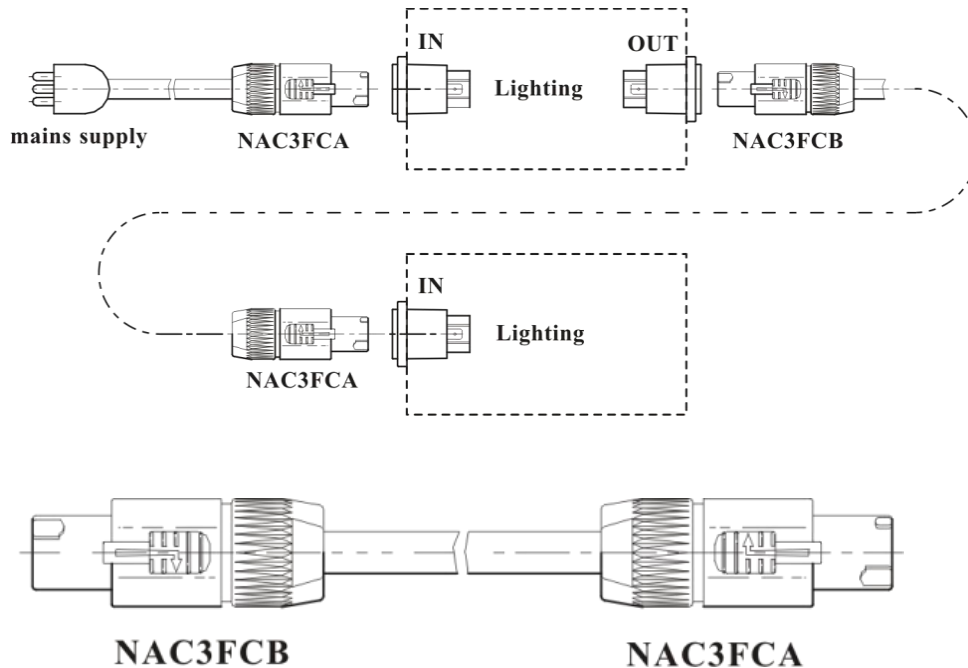
cable.

- Insert the wire into the terminals and fasten the clamping device by a flat screw driver.
- Push insert and chuck into housing (pay attention to the guiding keyway).
- Fasten bushing.

The color-coding schemes and some possible pin identification schemes; if pins are not clearly identified, or if you have any doubts about proper installation, consult a qualified electrician.

RELAYING POWER TO OTHER DEVICES

The lightings can be linked in a chain by power cables which installed a blue and a light-gray connectors on the two ends. The light-gray connector connects to the power out socket of the first lighting, and the blue connector connects to the power in socket of the subsequent lighting, and so on.



The power cable must be a three-conductor 2.5mm² cable.

When the voltage is 110V, Do not connect more than 10 lightings in total to AC mains power in one interconnected daisy chain.

When the voltage is 220V, Do not connect more than 20 lightings in total to AC mains power in one interconnected daisy chain.

Wire color	Conductor	Symbol
Brown	Live	L
Blue	Neutral	N
Yellow/green	ground	⏏

PHYSICAL INSTALLATION

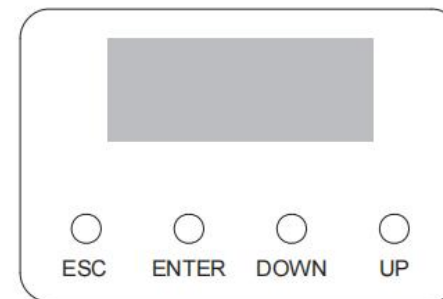
This lighting can be placed on a horizontal surface such as a stage or clamped to a truss or similar rigging structure in any orientation using a rigging clamp.

When suspending the fixture above ground level, verify that the structure can hold at least 10 times the weight of all installed devices.

Verify that all external covers and rigging hardware are securely fastened and use an approved means of secondary attachment such as a safety cable.

V CONTROL PANNEL

BUTTON



- ESC** Call the main menu, or escape the current menu, (i.e. return to the upper menu and give up the selected item or parameter).
- ENTER** Confirm the selected item or parameter, (i.e. enter into the next menu, or escape the current menu and save the selected item or parameter).
- UP** Browse the menu item forward or increase the parameter.
- DOWN** Browse the menu item backward or decrease the parameter.

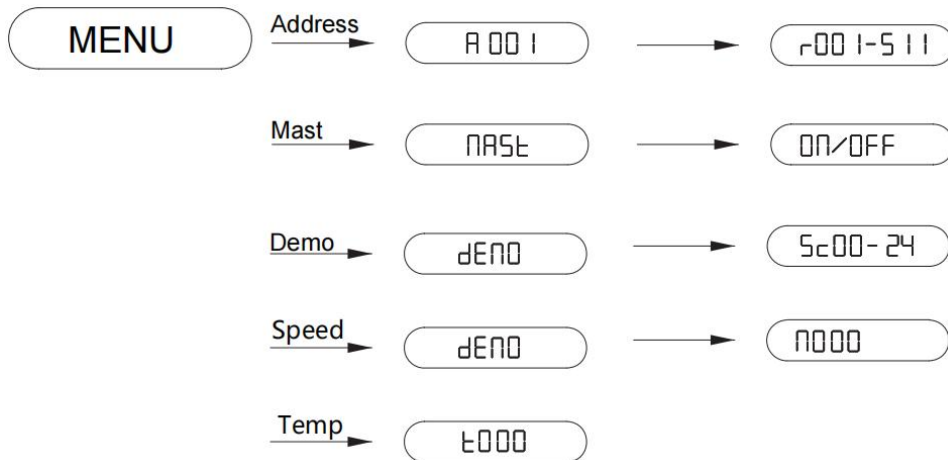
INDICATOR

There are 4 dots at the bottom of the digital tube, from left to right as:

1. DMX signal LED indicator;
2. Memory writing indicator, (Press **ENTER** after amending the DATA, This Dot will be light up, it means the Data is saving);
3. Power indicator;
4. Keyboard available indicator.

MAIN MENU

Press **ESC** to turn the sub-menu



BASIC SETTING

- [Address 001] is the default setting, then switch on the device, the device display with show the message [A 001]
- Presss [ENTER] key into and select [A 001], Use the [UP] and [DOWN] keys to select required address [r00 1-5 1 1] and press to confirm or to cancel and return to the main menu. presss [ENTER] key to return and confirm;
- Presss [UP] key to select [M A S T], presss [ENTER] key into and use the [UP] and [DOWN] keys to select [0 0 N / O F F], press [ENTER] to return and confirm;
- Presss [UP] key to select [d E N O], presss [ENTER] key into [5 c 0 0], Use the [UP] and [DOWN] keys to select [5 c 0 0- 2 4], press [ENTER] to return and confirm;

VI DMX PROTOCOL

CH	Value	Function
CH1	000←→255	Dimmer, 0~100%
CH2	000	Strobe Open
	001←→127	Strobe speed, from fast to slow
	128←→159	Closing pulse in sequences
	160←→191	Opening pulse in sequences
	192←→255	Random strobe speed from fast to slow
CH3	000←→255	Red dimmer, 0-100%
CH4	000←→255	Green dimmer, 0-100%
CH5	000←→255	Blue dimmer, 0-100%
CH6	000←→255	White dimmer, 0-100%
CH7	000←→255	Amber dimmer, 0-100%, rainbow effect
CH8	000←→255	DEMO
CH9	000←→255	Speed

VII TECHNICAL SPECIFICATION

Light Sources

- LED lamp beads: LED 300W, RGBWA
- Service life: ≥50000 hours
- Color: RGBWA

Optical system

- Beam angle: 120°
- Dimming: 0-100% linear dimming
- Strobe: a variety of strobe functions, 1-20 times/second

Light Output

- Color temperature: 2700K-6500K adjustable
- Color rendering index (CRI): ≥93Ra

Control

- Control mode: DMX512; Master/slave; Demo
- Channel mode: 9CH

Electrical specifications

- Rated voltage: AC100V-240V, 50Hz/60Hz
- Rated power: 350W

Working Environment

- Ambient temperature: -25°C~45°C
- Heat dissipation: aluminum shell radiator, no fan
- Protection level: IP65

Structure Specification

- Lamp size: 1012*150*319mm
- Light weight: 9.5kgs
- Case Color: Black
- Shell material: aluminum alloy