


LED Cyclorama Light

VG-LB2600



CERoHS

User Manual

 Please read this user manual before using this product!

Keep it for further reference!

www.vangaa.com

INDEX

I PRODUCT MAIN FEATURES..... 01

II OVERVIEW AND DIMENSIONS.....02

III SAFETY INFORMATION.....02

IV POWER CONNECTION.....03

V CONTROL PANNEL..... 05

VIDMX PROTOCOL..... 12

VII TECHNICAL SPECIFICATION..... 25

Thank you for using our product! Please read this manual carefully and completely. For technical reference in future, please keep this user manual well. This user manual contains all installation and operation information of this LED Cyclorama Light, it's very useful for user to install and operate the light. Please strictly abide by the relevant instruction for the installation and operation.

This LED cyclorama light adopts plate material shell made with beautiful shape, high efficiency and energy saving, durability, it is suitable for indoor use. This product strictly according to CE standard design and production, complete with international standard DMX512 agreement, both single machine control, also can be controlled by connected with, suitable for large art performance, theatres, studio, discos and other places of use. It's special designed for the stage curtain, wall wash and other using. It's widely used for touring performance, construction, lighting, theater, discos, bars and other entertainment places.

This light meets the following criteria:

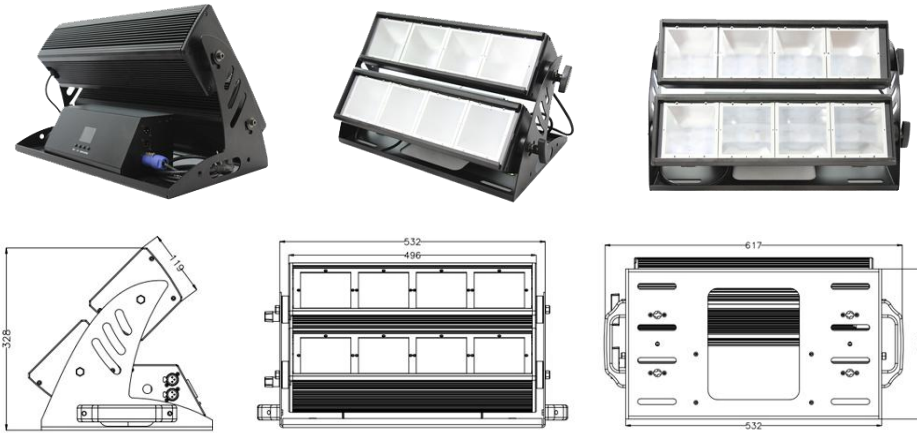
GB7000.1-2007/IEC60598-1:2003

GB7000.217-2008/IEC60598-2-17:1984+A2:1990

I PRODUCT MAIN FEATURES

- 7CH/9CH/11CH/14CH/17CH/22CH DMX control channels, LCD display control panel;
- DMX512, Sound active, auto-run and master/slave four kinds control mode;
- IP20 protect rating;
- With strobe stage effect;
- Long lifespan high brightness LEDs can reach to 50,000hours;
- High-efficiency, power-saving, low heat.

II OVERVIEW AND DIMENSIONS



All dimensions are in millimeters

III SAFETY INFORMATION

※Important

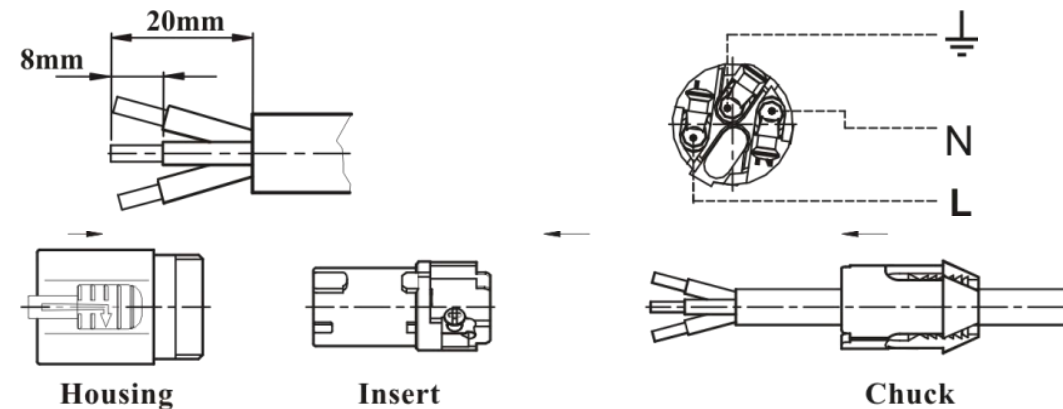
Every person involved with the installation, operation and maintenance of this device has to be qualified and follow the instructions of this manual. Manufacturer will not with responsibility for those operations which are not according to this Instruction.

- Verify that the voltage matches the rated voltage.
- When the voltage is 110V , Do not connect more than 10 lightings in total to AC mains power in one interconnected daisy chain
- When the voltage is 220V , Do not connect more than 20 lightings in total to AC mains power in one interconnected daisy chain
- Before using the fixture, check that all power distribution equipment and cables are in perfect condition and rated for the current requirements of all connected devices.
- Always ground (earth) the fixture electrically.
- Avoiding hit the Light when you are move or install the light.

- The minimum distance between light-output and the illuminated surface must be more than 0.5 meters. Keep all combustible materials (for example fabric, wood, paper) at least 0.2 meters away from the fixture.
- Do not expose the fixture to rain or moisture.
- Avoid looking directly into the light source (especially those who suffer from epileptic fits)
- Maximum ambient temperature (Ta) is 40°C. Do not operate fixture at temperatures higher than this.
- The Maximum surface temperature is 50°C
- When suspending the fixture above ground level, verify that the structure can hold at least 10 times the weight of all installed devices.
- Verify that all external covers and rigging hardware are securely fastened and use an approved means of secondary attachment such as a safety cable.

IV POWER CONNECTION

INSTALLING A NENUTRIK CONNECTOR ON A POWER CABLE



- Put bushing and chuck onto the cable.
- Prepare cable as shown above. The power cable must be a three-conductor 2.5mm²

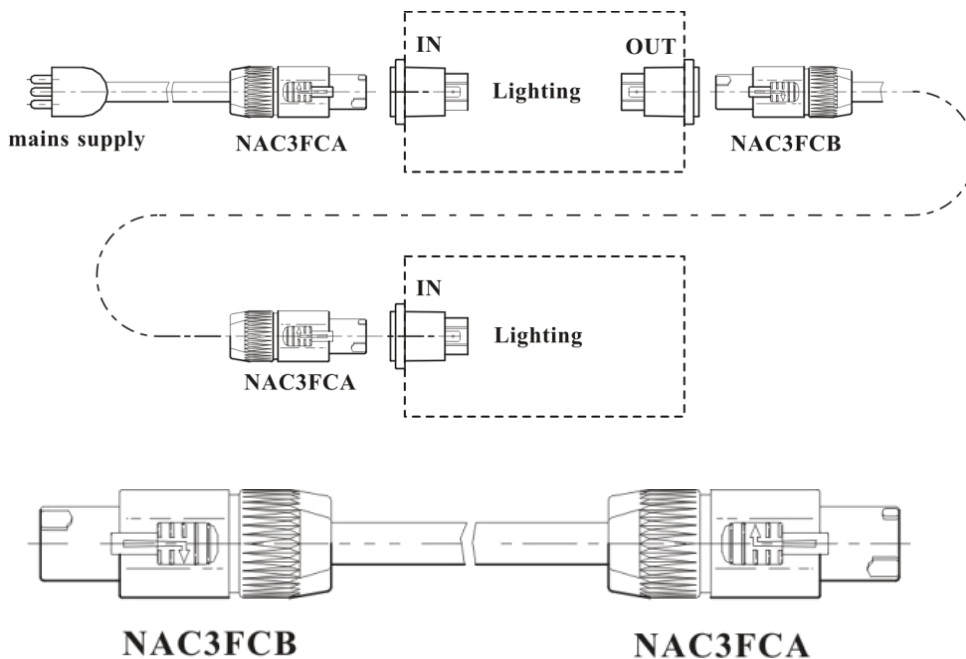
cable.

- Insert the wire into the terminals and fasten the clamping device by a flat screw driver.
- Push insert and chuck into housing (pay attention to the guiding keyway).
- Fasten bushing.

The color-coding schemes and some possible pin identification schemes; if pins are not clearly identified, or if you have any doubts about proper installation, consult a qualified electrician.

RELAYING POWER TO OTHER DEVICES

The lightings can be linked in a chain by power cables which installed a blue and a light-gray connectors on the two ends. The light-gray connector connects to the power out socket of the first lighting, and the blue connector connects to the power in socket of the subsequent lighting, and so on.



The power cable must be a three-conductor 2.5mm² cable.

When the voltage is 110V, Do not connect more than 10 lightings in total to AC mains power in one interconnected daisy chain.

When the voltage is 220V, Do not connect more than 20 lightings in total to AC mains power in one interconnected daisy chain.

<i>Wire color</i>	<i>Conductor</i>	<i>Symbol</i>
Brown	Live	L
Blue	Neutral	N
Yellow/green	ground	\perp

PHYSICAL INSTALLATION

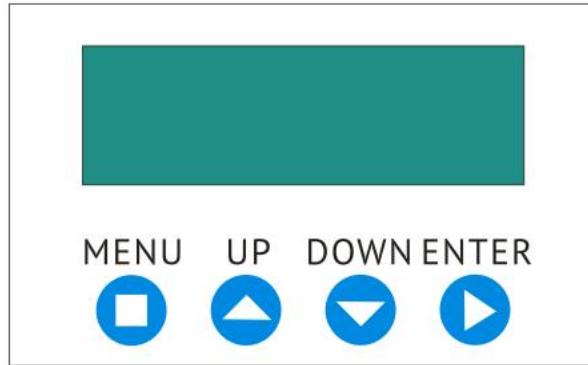
This lighting can be placed on a horizontal surface such as a stage or clamped to a truss or similar rigging structure in any orientation using a rigging clamp.

When suspending the fixture above ground level, verify that the structure can hold at least 10 times the weight of all installed devices.

Verify that all external covers and rigging hardware are securely fastened and use an approved means of secondary attachment such as a safety cable.

V CONTROL PANNEL

BUTTON



- MENU** Call the main menu, or escape the current menu, (i.e. return to the upper menu and give up the selected item or parameter).
- UP** Browse the menu item forward or increase the parameter.
- DOWN** Browse the menu item backward or decrease the parameter.
- ENTER** Confirm the selected item or parameter, (i.e. enter into the next menu, or escape the current menu and save the selected item or parameter).

MAIN MENU

The way into the menu as below:

1. Press **ENTER** when the display show the title information;
2. Press **UP** or **DOWN** button to choose the right menu which you need;
3. Press **ENTER** into the menu;
4. Press **UP** and **DOWN** button to set the parameter or setting;
5. Press **ENTER** to save the setting; 6. Press **MENU/SET** button to back.

MENU MAP

01. Addr ess	01. Address = ***			01. Add ress	01.Address = ***		
02. Reset	01. Reset = No			02. Res et	01.Reset = No		
	02.Reset =				02.Reset = Yes		

03.M ode	Yes			03. Mod e	01.(**CH)HSI C		
	01.(**CH) HSIC						
	02.(**CH)S SP				02.(**CH)SSP		
	03.(**CH)T OUR				03.(**CH)TOU R		
	04.(**CH)T OUR 16				04.(**CH)TOU R 16		
	05.(**CH)P IXEL 1				05.(**CH)PIXE L 1		
	06.(**CH)P IXEL 2				06.(**CH)PIXE L 2		
	07.(Alone)A uto				07.(Alone)Auto		
	08.(Master) Auto				08.(Master)Aut o		
	09.(Alone) Scene	01.Re d =***			09.(Alone)Sce ne	01.Red =***	
		02.Gr een =***				02.Green =***	
		03.Bl ue =***				03.Blue =***	
		04.Li me =***				04.Lime =***	
		05.A				05.Amber	

VG-LB2600 LED Cyclorama Light User Manual

		mber =***				=***	
		06.Cyan =***				06.Cyan =***	
		07.DeepBlue =***				07.DeepBlue =***	
		08.Strobe =***				08.Strobe =***	
	10.(Master) Scene	01.Red =***			10.(Master)Scene	01.Red =***	
		02.Green =***				02.Green =***	
		03.Blue =***				03.Blue =***	
		04.Lime =***				04.Lime =***	
		05.Amber =***				05.Amber =***	
		06.Cyan =***				06.Cyan =***	
		07.De				07.DeepB	

VG-LB2600 LED Cyclorama Light User Manual

		epBlue =***				lue =***	
		08.Strobe =***				08.Strobe =***	
04.Language	01.English			04.Language	01.English		
	02.Chinese				02.Chinese		
05.Option	01.DMX Lost Set	01.Clear Value		05.Option	01.DMX Lost Set	01.Clear Value	
		02.Hold Value				02.Hold Value	
	02.Reverse Display	01.Off			02.Reverse Display	01.Off	
		02.On				02.On	
	03.Display DelayOff	01.Off			03.DisplayDelayOff	01.Off	
		02.On				02.On	
06.Setup	01.Password	= 008		06.Setup	01.Password	= 008	
	02.Dimmer rate	= 1800 Hz			02.Dimmer rate	= 1800Hz	
		= 2500				= 2500Hz	

		Hz				
		= 7200 Hz			= 7200Hz	
		= 25000 Hz			= 25000Hz	
	03.Dimmer speed	= OFF		03.Dimmer speed	= OFF	
		= Dim Speed 1 Fast			= Dim Speed 1 Fast	
		= Dim Speed 2			= Dim Speed 2	
		= Dim Speed 3			= Dim Speed 3	
		= Dim Speed 4 Slow			= Dim Speed 4 Slow	
	04.CT Adjust	01.2700K	01.Red =***	04.CT Adjust	01.2700K	01.Red =***
		02.3000K	02.Green =***		02.3000K	02.Green =***
		03.3200K	03.Blue =***		03.3200K	03.Blue =***

		04.4000K	04.Lime =***			04.4000K	04.Lime =***
		05.4200K	05.Amber =***			05.4200K	05.Amber =***
		06.4500K	06.Cyan =***			06.4500K	06.Cyan =***
		07.5600K	07.DeepBlue =***			07.5600K	07.DeepBlue =***
		08.6000K				08.6000K	
		09.6500K				09.6500K	
		10.7200K				10.7200K	
		11.8000K				11.8000K	
07.Reset Default	01.No			07.Reset Default	01.No		
	02.Yes				02.Yes		
08.Information	1.Temperature T1=***C T2=***C			08.Information	1.Temperature T1=***C T2=***C		

2.Used time=**** *H				2.Used time=*****H		
3.Device ID =***** **** ***** ***				3.ID =***** ** *****		
4.Version= *.***				4.Version=*. **		

		111	-	130	4200K
		131	-	150	4500K
		151	-	170	5600K
		171	-	190	6000K
		191	-	210	6500K
		211	-	230	7200K
		231	-	255	8000K
6	Strobe	0	-	9	No Function
		10	-	99	Strobe from slow to fast (0-25Hz)
		100	-	109	No Function
		110	-	179	Lightning strobe
		180	-	189	No Function
		190	-	255	Random strobe
7	Dimmer Speed	0	-	9	Preset dimmer speed from display menu
		10	-	49	Off
		50	-	99	Dimmer speed 1 Fast
		100	-	149	Dimmer speed 2
		150	-	199	Dimmer speed 3
		200	-	255	Dimmer speed 4 Slow

VI DMX PROTOCOL

Channel

HSIC Channel Model(7CH)					
Chan nel	Name	DMX Range			Description
1	Intensity	0	-	255	Intensity
2	Hue	0	-	255	Hue
3	Hue Fine	0	-	255	Hue Fine
4	Saturation	0	-	255	Saturation
5	Color Temperature	0	-	10	No Function
		11	-	30	2700K
		31	-	50	3000K
		51	-	70	3200K
		71	-	90	3500K
		91	-	110	4000K

SSP Channel Model (11CH)

Chan nel	Name	DMX Range			Description
1	Dimmer	0	-	255	Master dimmer
2	Red	0	-	255	Red
3	Green	0	-	255	Green
4	Blue	0	-	255	Blue
5	Lime	0	-	255	Lime

VG-LB2600 LED Cyclorama Light User Manual

6	Amber	0	-	255	Amber
7	Cyan	0	-	255	Cyan
8	Deep blue	0	-	255	Deep blue
9	Preset color	0	-	10	No function
		11	-	20	L106
		21	-	30	R05
		31	-	40	L194
		41	-	50	R54
		51	-	60	L019
		61	-	70	R08
		71	-	80	R89
		81	-	90	R86
		91	-	100	L213
		101	-	110	R377
		111	-	120	R80
		121	-	130	L202
		131	-	140	L328
		141	-	150	R3314
151	-	160	L101		
161	-	170	L768		
171	-	255	No function		
10	Strobe	0	-	9	No Function
		10	-	99	Strobe from slow to fast (0-25Hz)
		100	-	109	No Function
		110	-	179	Lightning strobe
		180	-	189	No Function
		190	-	255	Random strobe
		11	Dimmer Speed	0	-
10	-			49	Off

VG-LB2600 LED Cyclorama Light User Manual

		50	-	99	Dimmer speed 1 Fast
		100	-	149	Dimmer speed 2
		150	-	199	Dimmer speed 3
		200	-	255	Dimmer speed 4 Slow

TOUR Channel Model (14CH)										
Channel	Name	DMX Range			Description					
1	Dimmer	0	-	255	Master dimmer					
2	Red	0	-	255	Red					
3	Green	0	-	255	Green					
4	Blue	0	-	255	Blue					
5	Lime	0	-	255	Lime					
6	Amber	0	-	255	Amber					
7	Cyan	0	-	255	Cyan					
8	Deep blue	0	-	255	Deep blue					
9	Preset color	0	-	10	No function					
		11	-	20	L106	10	1			
		21	-	30	R05	10	2			
		31	-	40	L194	10	3			
		41	-	50	R54	10	4			
		51	-	60	L019	10	5			
		61	-	70	R08	10	6			
		71	-	80	R89	10	7			
		81	-	90	R86	10	8			
		91	-	100	L213	10	9			
		101	-	110	R377	10	10			

VG-LB2600 LED Cyclorama Light User Manual

		111	-	120	R80	10	11			
		121	-	130	L202	10	12			
		131	-	140	L328	10	13			
		141	-	150	R3314	10	14			
		151	-	160	L101	10	15			
		161	-	170	L768	10	16			
		171	-	255	No function	85				
10	Led macro	0	-	10	No function			R	G	B
		11	-	30	Macro 1 (R=255, G=0->255, B=0)	20	0.95	25 5	0- 25 5	0
		31	-	50	Macro 2 (R=255->0, G=255, B=0)	20	1.95	25 5- 0	25 5	0
		51	-	70	Macro 3 (R=0, G=255, B=0->255)	20	2.95	0	25 5	0-2 55
		71	-	90	Macro 4 (R=0, G=255->0, B=255)	20	3.95	0	25 5- 0	255
		91	-	110	Macro 5 (R=0->255, G=0, B=255)	20	4.95	0- 25 5	0	255
		111	-	130	Macro 6 (R=255, G=0, B=255->0)	20	5.95	25 5	0	255 -0
		131	-	150	Macro 7 (R=255, G=0->255, B=0->255)	20	6.95	25 5	0- 25 5	0-2 55
		151	-	170	Macro 8 (R=255->0, G=255->0, B=0->255)	20	7.95	25 5- 0	25 5- 0	255

VG-LB2600 LED Cyclorama Light User Manual

		171	-	195	All led full output(R=255,G=255, B=255)	25			
		196	-	200	2700K	5			
		201	-	205	3000K	5			
		206	-	210	3200K	5			
		211	-	215	3500K	5			
		216	-	220	4000K	5			
		221	-	225	4200K	5			
		226	-	230	4500K	5			
		231	-	235	5600K	5			
		236	-	240	6000K	5			
		241	-	245	6500K	5			
		246	-	250	7200K	5			
		251	-	255	8000K	5			
11	Strobe	0	-	9	No Function				
		10	-	99	Strobe from slow to fast (0-25Hz)	90			
		100	-	109	No Function	10			
		110	-	179	Lightning strobe	70			
		180	-	189	No Function	10			
		190	-	255	Random strobe	66			
		12	Auto	0	-	9	No Function		
10	-			127	Auto slip run				
128	-			255	Auto skip run				
0	-			40	No Function				
41	-			60	Auto 1	20			
61	-			80	Auto 2	20			
81	-			100	Auto 3	20			
101	-			120	Auto 4	20			
121	-			140	Auto 5	20			

		141	-	160	Auto 6	20				
		161	-	180	Auto 7	20				
		181	-	200	Auto 8	20				
		201	-	220	Auto 9	20				
		221	-	240	Auto 10	20				
		241	-	255	Auto all	15				
13	Auto speed	0	-	255	Auto speed adjust					
14	Dimmer Speed	0	-	9	Preset dimmer speed from display menu					
		10	-	49	Off	40				
		50	-	99	Dimmer speed 1 Fast	50				
		100	-	149	Dimmer speed 2	50				
		150	-	199	Dimmer speed 3					
		200	-	255	Dimmer speed 4 Slow					

TOUR 16 Channel Model(22CH)					
Channel	Name	DMX Range			Description
1	Dimmer	0	-	255	Master dimmer
2	Dimmer fine	0	-	255	Master dimmer fine
3	Red	0	-	255	Red
4	Red fine	0	-	255	Red fine
5	Green	0	-	255	Green
6	Green fine	0	-	255	Green fine
7	Blue	0	-	255	Blue
8	Blue fine	0	-	255	Blue fine
9	Lime	0	-	255	Lime
10	Lime fine	0	-	255	Lime fine
11	Amber	0	-	255	Amber

		12	Amber fine	0	-	255	Amber fine
		13	Cyan	0	-	255	Cyan
		14	Cyan fine	0	-	255	Cyan fine
		15	Deep blue	0	-	255	Deep blue
		16	Deep blue fine	0	-	255	Deep blue fine
		17	Preset color	0	-	10	No function
11	-			20	L106		
21	-			30	R05		
31	-			40	L194		
41	-			50	R54		
51	-			60	L019		
61	-			70	R08		
71	-			80	R89		
81	-			90	R86		
91	-			100	L213		
101	-			110	R377		
111	-			120	R80		
121	-			130	L202		
131	-			140	L328		
141	-			150	R3314		
151	-			160	L101		
161	-			170	L768		
171	-	255	No function				
18	Led macro	0	-	10	No function		
		11	-	30	Macro 1 (R=255, G=0->255, B=0)		
		31	-	50	Macro 2 (R=255->0, G=255, B=0)		
		51	-	70	Macro 3 (R=0, G=255, B=0->255)		
		71	-	90	Macro 4 (R=0, G=255->0,		

				B=255)	
		91	-	110	Macro 5 (R=0->255, G=0, B=255)
		111	-	130	Macro 6 (R=255, G=0, B=255->0)
		131	-	150	Macro 7 (R=255, G=0->255, B=0->255)
		151	-	170	Macro 8 (R=255->0, G=255->0, B=0->255)
		171	-	195	All led full output (R=255,G=255,B=255)
		196	-	200	2700K
		201	-	205	3000K
		206	-	210	3200K
		211	-	215	3500K
		216	-	220	4000K
		221	-	225	4200K
		226	-	230	4500K
		231	-	235	5600K
		236	-	240	6000K
		241	-	245	6500K
		246	-	250	7200K
		251	-	255	8000K
19	Strobe	0	-	9	No Function
		10	-	99	Strobe from slow to fast(0-25Hz)
		100	-	109	No Function
		110	-	179	Lightning strobe
		180	-	189	No Function
		190	-	255	Random strobe
20	Auto	0	-	9	No Function
		10	-	127	Auto slip run

		128	-	255	Auto skip run
		0	-	40	No Function
		41	-	60	Auto 1
		61	-	80	Auto 2
		81	-	100	Auto 3
		101	-	120	Auto 4
		121	-	140	Auto 5
		141	-	160	Auto 6
		161	-	180	Auto 7
		181	-	200	Auto 8
		201	-	220	Auto 9
		221	-	240	Auto 10
241	-	255	Auto all		
21	Auto speed	0	-	255	Auto speed adjust
22	Dimmer Speed	0	-	9	Preset dimmer speed from display menu
		10	-	49	Off
		50	-	99	Dimmer speed 1 Fast
		100	-	149	Dimmer speed 2
		150	-	199	Dimmer speed 3
		200	-	255	Dimmer speed 4 Slow

PIXEL 1 Channel Model(9CH)					
Channel	Name	DMX Range			Description
1	Dimmer	0	-	255	Dimmer
2	Red 1	0	-	255	Red 1
3	Green 1	0	-	255	Green 1
4	Blue 1	0	-	255	Blue 1
5	Preset color 1	0	-	10	No function
		11	-	20	L106

		21	-	30	R05
		31	-	40	L194
		41	-	50	R54
		51	-	60	L019
		61	-	70	R08
		71	-	80	R89
		81	-	90	R86
		91	-	100	L213
		101	-	110	R377
		111	-	120	R80
		121	-	130	L202
		131	-	140	L328
		141	-	150	R3314
		151	-	160	L101
		161	-	170	L768
		171	-	255	No function
6	Red 2	0	-	255	Red 2
7	Green 2	0	-	255	Green 2
8	Blue 2	0	-	255	Blue 2
9	Preset color 2	0	-	10	No function
		11	-	20	L106
		21	-	30	R05
		31	-	40	L194
		41	-	50	R54
		51	-	60	L019
		61	-	70	R08
		71	-	80	R89
		81	-	90	R86
		91	-	100	L213
		101	-	110	R377
		111	-	120	R80

		121	-	130	L202
		131	-	140	L328
		141	-	150	R3314
		151	-	160	L101
		161	-	170	L768
		171	-	255	No function

PIXEL 2 Channel Model(17CH)					
Channel	Name	DMX Range		Description	
1	Dimmer	0	-	255	Dimmer
2	Red 1	0	-	255	Red 1
3	Green 1	0	-	255	Green 1
4	Blue 1	0	-	255	Blue 1
5	Lime 1	0	-	255	Lime 1
6	Amber 1	0	-	255	Amber 1
7	Cyan 1	0	-	255	Cyan 1
8	Deep blue 1	0	-	255	Deep blue 1
9	Preset color 1	0	-	10	No function
		11	-	20	L106
		21	-	30	R05
		31	-	40	L194
		41	-	50	R54
		51	-	60	L019
		61	-	70	R08
		71	-	80	R89
		81	-	90	R86
		91	-	100	L213
		101	-	110	R377
		111	-	120	R80
121	-	130	L202		

		131	-	140	L328
		141	-	150	R3314
		151	-	160	L101
		161	-	170	L768
		171	-	255	No function
10	Red 2	0	-	255	Red 2
11	Green 2	0	-	255	Green 2
12	Blue 2	0	-	255	Blue 2
13	Lime 2	0	-	255	Lime 2
14	Amber 2	0	-	255	Amber 2
15	Cyan 2	0	-	255	Cyan 2
16	Deep blue 2	0	-	255	Deep blue 2
17	Preset color 2	0	-	10	No function
		11	-	20	L106
		21	-	30	R05
		31	-	40	L194
		41	-	50	R54
		51	-	60	L019
		61	-	70	R08
		71	-	80	R89
		81	-	90	R86
		91	-	100	L213
		101	-	110	R377
		111	-	120	R80
		121	-	130	L202
		131	-	140	L328
		141	-	150	R3314
151	-	160	L101		
161	-	170	L768		
171	-	255	No function		

VII TECHNICAL SPECIFICATION

Light Sources

- LED: 200pcs seven colors brand led lamps, (R:48; G:32; B:24; Royal blue: 16; Cyan: 16; Amber: 24; Lime green: 40)
- Lifespan: 50000h
- Color quality: >90, from 2700K-8000K
- Color range: >1670 thousand colors

Optics

- Beam angle: 30degree(10degree option)
- Dimmer: 0-100% linear dimmer
- Color system: HSIC(Intensity, Hue, Hue Fine, Saturation)
- Color temperature: 2700K-8000K
- Strobe: 1-25 times/second
- CRI: >90Ra(for white)

Light Output

- Optimal projection distance: 2-10m

Control

- Control mode: standard DMX-512; Master/slave; Demo
- DMX channel: 7CH/9CH/11CH/15CH/17CH/22CH
- Color mixing system: HSIC(brightness/hue/saturability/color temperature)
- Display of control panel: 4 buttons LCD display

Power Supply

- Related voltage: AC100V-240V, 50/60Hz
- Related power: 400W

Construction

- Body dimension: D617*W310*H328mm
- Net weight: 17kg
- Shell color: black
- Shell material: aluminium alloy

Working Environment

- Working temperature: -25-40°C
- Cooling: Fan
- Protection rating: IP20

Innovation, Quality, Performance, Achieving Users' Value!