


650W Fresnel Spot Light

VG-FL650



CE RoHS

User Manual

 Please read this user manual before using this product!

Keep it for further reference!

<http://www.vangalight.com>

INDEX

I PRODUCT MAIN FEATURES 01

II STRUCTURE..... 01

III SAFETY INFORMATION 02

IV POWER CONNECTION..... 03

V LUX CHART 05

VI TECHNICAL SPECIFICATION 06

Thank you for using our product! Please read this manual carefully and completely. For technical reference in future, please keep this user manual well. This user manual contains all installation and operation information of this Fresnel Spot Light, it's very useful for user to install and operate the light. Please strictly abide by the relevant instruction for the installation and operation.

This light has very beautiful appearance. Based on the Fresnel Spot Light Technology, using high brightness lamp beads matrix arrangement of large area, through the whole aluminum shell to realize heat dissipation naturally, we have designed this light. This light has high brightness, good head dissipation, ultra-quiet and other features. It can satisfy the requirement of indoor movie filming for the lighting layout. It is a good substitute of the traditional Fresnel spot light, which is very suitable for the studio room, TV station, Meeting room, stage, show and other entertainment places.

This light meets the following criteria:

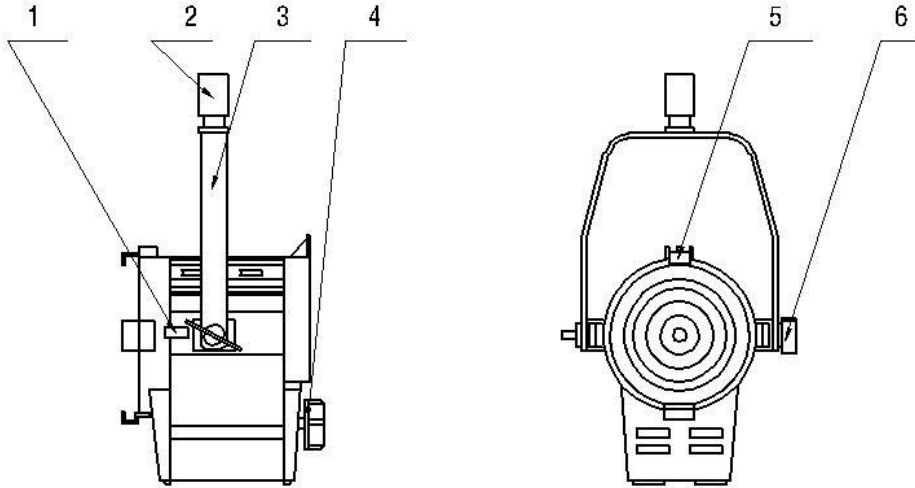
GB7000.1-2007/IEC60598-1:2003

GB7000.217-2008/IEC60598-2-17:1984+A2:1990

I PRODUCT MAIN FEATURES

- High power, high brightness;
- Easy install, and easy replace the bulb;
- High CRI, suitable for video taking.

II STRUCTURE



1. Locker
2. Hanging adaptor
3. Handle
4. Zoom rotary knob
5. Locker for barn doors
6. Locking arm knob

III SAFETY INFORMATION

※Important

Every person involved with the installation, operation and maintenance of this device has to be qualified and follow the instructions of this manual. Manufacturer will not with responsibility for those operations which are not according to this Instruction.

Verify that the voltage matches the rated voltage.

When the voltage is 110V, Do not connect more than 10 lightings in total to AC mains power in one interconnected daisy chain

When the voltage is 220V, Do not connect more than 20 lightings in total to AC mains power in one interconnected daisy chain

Before using the fixture, check that all power distribution equipment and cables are in perfect condition and rated for the current requirements of all connected devices.

Always ground (earth) the fixture electrically.

Avoiding hit the Light when you are move or install the light.

The minimum distance between light-output and the illuminated surface must be more than 0.5 meters. Keep all combustible materials (for example fabric, wood, paper) at least 0.2 meters away from the fixture.

Do not expose the fixture to rain or moisture.

Avoid looking directly into the light source (especially those who suffer from epileptic fits) Maximum ambient temperature (Ta) is 40°C. Do not operate fixture at temperatures higher than this.

The Maximum surface temperature is 50°C

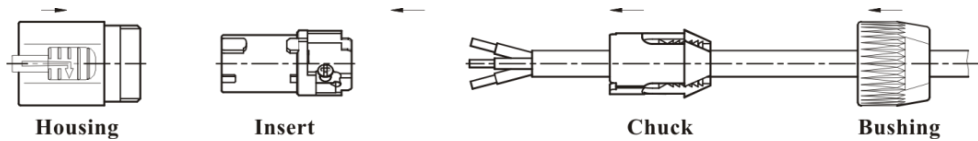
When suspending the fixture above ground level, verify that the structure can hold at least 10 times the weight of all installed devices.

Verify that all external covers and rigging hardware are securely fastened and use an approved means of secondary attachment such as a safety cable.

IV POWER CONNECTION

INSTALLING A NENUTRIK CONNECTOR ON A POWER CABLE



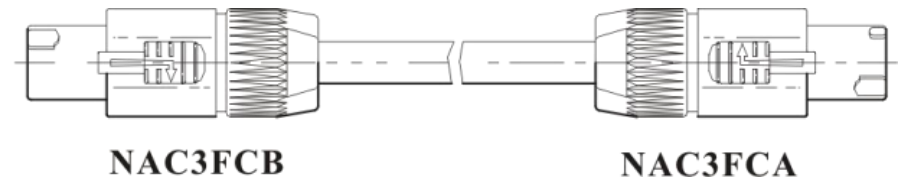
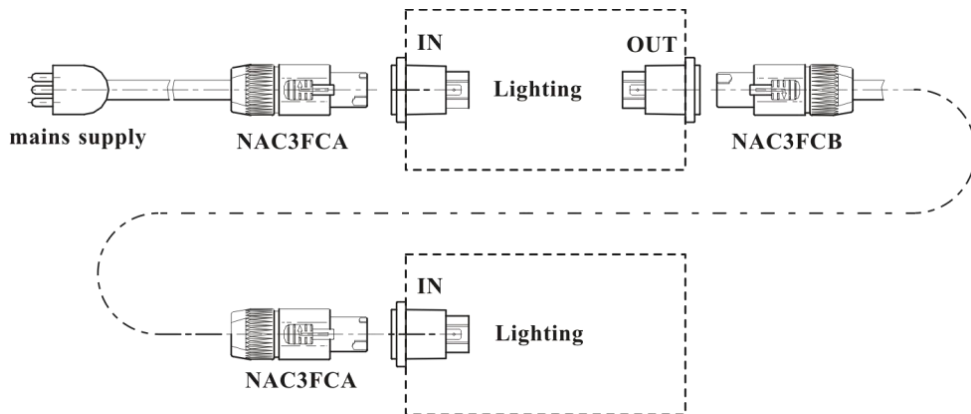


Put bushing and chuck onto the cable.
 Prepare cable as shown above. The power cable must be a three-conductor 2.5mm² cable.
 Insert the wire into the terminals and fasten the clamping device by a flat screw driver.
 Push insert and chuck into housing (pay attention to the guiding keyway).
 Fasten bushing.

The color-coding schemes and some possible pin identification schemes; if pins are not clearly identified, or if you have any doubts about proper installation, consult a qualified electrician.

RELAYING POWER TO OTHER DEVICES

The lightings can be linked in a chain by power cables which installed a blue and a light-gray connectors on the two ends. The light-gray connector connects to the power out socket of the first lighting, and the blue connector connects to the power in socket of the subsequent lighting, and so on.



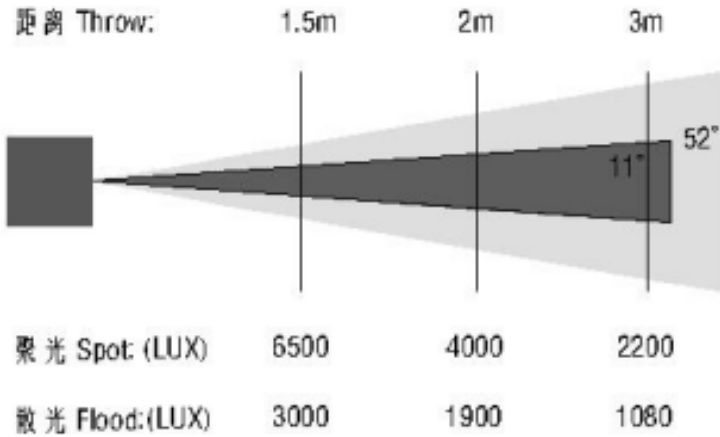
The power cable must be a three-conductor 2.5mm² cable.
 When the voltage is 110V, Do not connect more than 10 lightings in total to AC mains power in one interconnected daisy chain.
 When the voltage is 220V, Do not connect more than 20 lightings in total to AC mains power in one interconnected daisy chain.

Wire color	Conductor	Symbol
Brown	Live	L
Blue	Neutral	N
Yellow/green	ground	⏏

PHYSICAL INSTALLATION

This lighting can be placed on a horizontal surface such as a stage or clamped to a truss or similar rigging structure in any orientation using a rigging clamp.
 When suspending the fixture above ground level, verify that the structure can hold at 10 times the weight of all installed devices.
 Verify that all external covers and rigging hardware are securely fastened and use an approved means of secondary attachment such as a safety cable.

V LUX CHART



功率: W 650
 电压: V 220
 频率: HZ 50
 色温: K 3200
 重量: kg 2.1

Power Supply

- Related voltage: AC110V/220V, 50/60Hz
- Related power: 700W

Construction

- Body dimension: D215*W181*H189mm
- Net weight: 3.6kg
- Shell color: silver and blue
- Shell material: aluminium

Working Environment

- Working temperature: -25-40℃
- Cooling: Fan
- Protection rating: IP20

VI TECHNICAL SPECIFICATION

Light Sources

- Bulb: 1pc 650W Lamp CP89, GY9.5
- Average lifespan of lamp: 5000h
- Color: warm white

Optics

- Dimmer: 0-100% linear dimmer
- Lens: φ 112mm

Light Output

- Distance: 2.5m, 3.5m, 4.5m
- Condensed light: 0.5m, 0.7m, 0.9m
- Middle light: 1.3m, 1.9m, 2.4m
- Astigmatism: 2.4m, 3.4m, 4.4m

Control

- Control mode: manual
- Control panel: switch, rotary knob

Innovation, Quality, Performance, Achieving Users' Value!