


Isolated DMX Splitter

VG-SP1-8B



CE RoHS

User Manual

 Please read this user manual before using this product !

Keep it for further reference!

<http://www.vangaa.com>

INDEX

I GENERAL01

II SAFETY INFORMATION02

III TECHNICAL SPECIFICATION03

IV OPERATION INSTRUCTION03

I . GENERAL

Thank you for using our product! Please read this manual carefully and completely. For technical reference in future, please keep this user manual well. This user manual contains all installation and operation information of this isolated splitter, it's very useful for user to install and operate it. Please strictly abide by the relevant instruction for the installation and operation.

This is a very good DMX distributor. The unit has two inputs and eight outputs. Absolutely, electric isolation can be between input and output or between output and output. Two type of DMX connector (3pin) for each individual channels, each DMX output features an independent driver. We strongly recommend that you take time to read this manual fully before you attempt to use the DMX distributor.

This machine meets the following criteria:

GB7000.1-2007/IEC60598-1:2003

GB7000.217-2008/IEC60598-2-17:1984+A2:1990

Once receiving a fixture, carefully unpack the carton, check the contents to ensure that all parts are presented, and have been received in a good condition. Notify the shipper immediately and retain packing material for inspection if any parts appear damaged from shipping or the carton itself shows, sign of mishandling. Save the carton and all packing materials. In the event that a fixture must be returned to the factory, it is important that the fixture be returned in the original factory box and packing.

VG-SP1-8B ----- 1pc

Power cable ----- 1pc

User Manual ----- 1pc

II SAFETY INFORMATION

※Important

Every person involved with the installation, operation and maintenance of this device has to be qualified and follow the instructions of this manual. Manufacturer will not with responsibility for those operations which are not according to this Instruction.

- Verify that the voltage matches the rated voltage.
- When the voltage is 110V , Do not connect more than 10 lightings in total to AC mains power in one interconnected daisy chain
- When the voltage is 220V , Do not connect more than 20 lightings in total to AC mains power in one interconnected daisy chain
- Before using the fixture, check that all power distribution equipment and cables are in perfect condition and rated for the current requirements of all connected devices.
- Always ground (earth) the fixture electrically.
- Avoiding hit the Light when you are move or install the light.
- The minimum distance between light-output and the illuminated surface must be more than 0.5 meters. Keep all combustible materials (for example fabric, wood, paper) at least 0.2 meters away from the fixture.
- Do not expose the fixture to rain or moisture.
- Avoid looking directly into the light source (especially those who suffer from epileptic fits)
- Maximum ambient temperature (Ta) is 40°C. Do not operate fixture at temperatures higher than this.
- The Maximum surface temperature is 50°C
- When suspending the fixture above ground level, verify that the structure can hold at least 10 times the weight of all installed devices.
- Verify that all external covers and rigging hardware are securely fastened and use an approved means of secondary attachment such as a safety cable.

To determine the power requirements for a particular fixture, see the label affixed

to the back plate of the fixture or refer to the fixtures specifications chart. A fixture listed current rating is its average current draw under normal conditions. All fixtures must be directly powered off a switched circuit and cannot be run off a rheostat (variable resistor) or dimmer circuit, even if the rheostat or dimmer source voltage matches the fixtures requirement. Check the fixture or device carefully to make sure that if a voltage selection switch exists that it sets to the correct line voltage you will use.

Warning! Verify that the voltage select switch on your unit matches the line voltage applied. Damage to your fixture may result if the line voltage applied does not match the voltage indicated on the voltage selector switch. All fixtures must be connected to circuits with a suitable Earth ground.

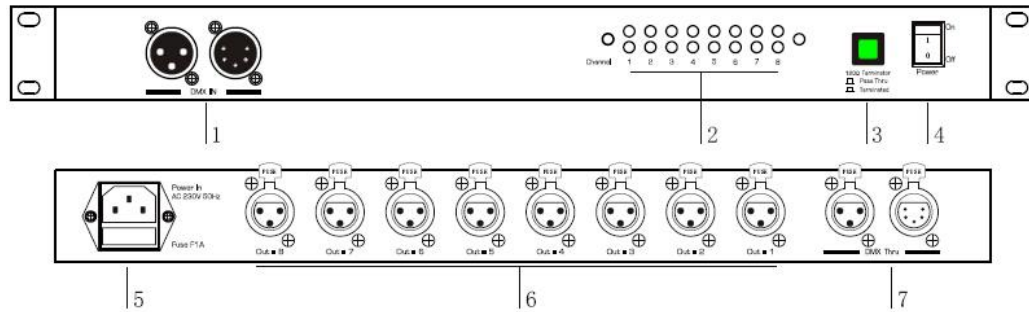
III TECHNICAL SPECIFICATION

Input power: AC110V, 50/60Hz

Dimension: 482*130*44mm

Weight: 2.6kg

IV OPERATION INSTRUCTION



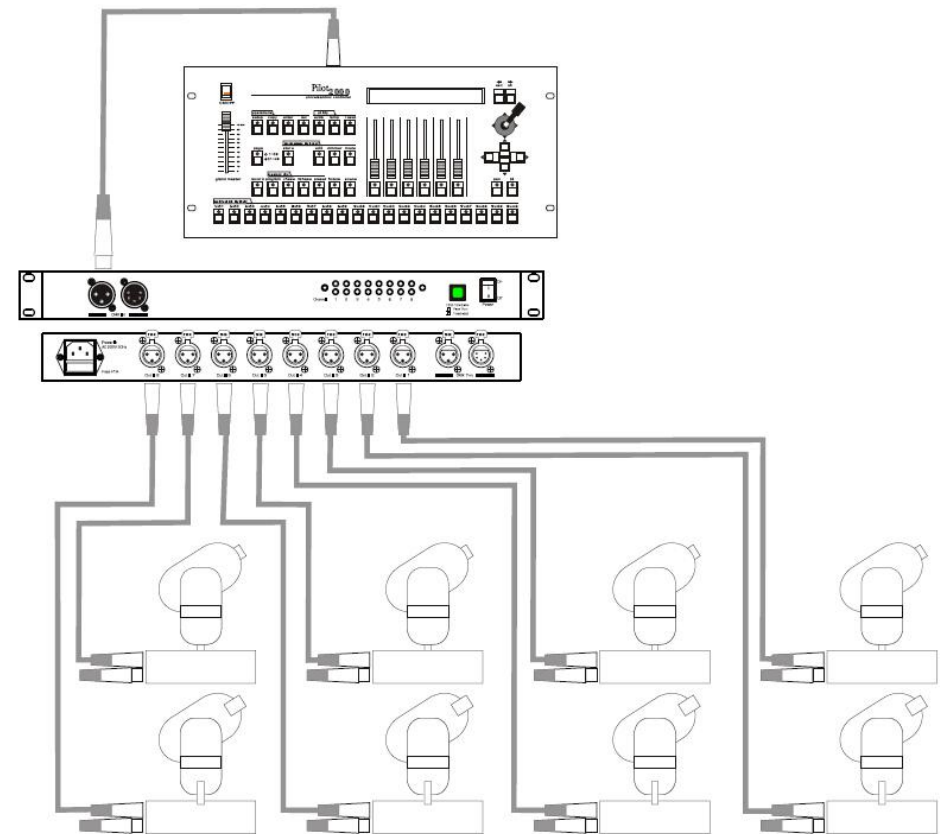
- 1 DMX input
- 2 Channel LED
- 3 120 terminator
- 4 the power switch
- 5 power
- 6 DMX output
- 7 DMX thru



Connector pin designations shall be as follows:
 pin 1: signal common (shield)
 pin 2: dimmer drive complement (data 1-)
 pin 3: dimmer drive true (data 1+)
 pin 4: option second data link complement (not used)
 pin 5: option second data link complement (not used)

▲Caution:

- This equipment must be earthed.
- Do not apply power source before completely installation.
- Always disconnect from mains before replacing the fuse.
- To reduce risk of fire or electrical shock, do not expose to rain or moisture.
- Do not try to repair it when the circuit is out of order, send it back to your supplier for repairing.



Receiver can not more than 32 units on one out channel.
 Use one terminator on the last receiver.

Please keep this manual as a reference.

Thanks again for your business. We truly appreciate it!