



## VG-SBW330CMY 330 LED Spot Beam Wash CMY Moving Head Light

• For the high power LED Spot Light need for the stage performance, we have designed this 330W LED Moving Head Light. Its brightness is very near the traditional 350W Moving Head Spot Beam Wash Light, it's powerful and wonderful. This is your best choice for the stage lighting performance.



### Features

- Multiple colors and patterns;
- Control mode: master-slave mode, DMX512 mode, stand-alone mode
- LCD operation menu with function buttons;
- Daisy chain units in DMX mode together;
- The output of 330W is equal to the lamp of 350W;
- With prism function and prism rotation function;
- DMX linear dimming function;
- Built-in program in master-slave control mode;
- Automatically modify the position of pan and tilt;
- 0~100% linear dimmer, adjustable strobe speed.

## Technical Specification

### Light Sources

- LED lamp beads: 330W\*1 high-power white light lamp beads
- CCT: 7500K
- Service life:  $\geq 20000$  hours
- Color: white light source, change the color through CMY

### Optics

- Color wheel: 3 color wheels\*9 colors+CMY
- 1 fixed pattern plate: 9 metal patterns
- 1 rotating pattern plate: 7 glass patterns
- 1 prism: 8 prisms
- Bidirectional variable speed rotating beam angle: 2.5-35 degrees linear Adjustment
- Dimming: 0-100% linear adjustment
- Strobe: 1-25 times/sec

### Brightness Output

- Illumination: 49200lux @ 4m, 7° , 14218lux @ 4m, 31°
- Best projection distance: 3-30m

### Movement

- X axis (Pan): 540° , can automatically correct positioning
- Y axis (Tilt): 250° , can automatically correct positioning

### Control

- Control mode: master-slave mode, DMX512 mode, stand-alone mode
- DMX channel: 21/26 channel
- Display: LCD display

### Power Supply

- Rated voltage: AC90V-250V, 50/60Hz
- Rated power: 400W

### Working Environment

- Ambient temperature: -25°C~40°C
- Heat dissipation: forced air cooling
- Protection level: IP20

### Construction

- Body dimension: 393\*260\*668mm
- Light weight: 24.5kg
- Shell color: black
- Shell material: ABS

### Standard accessories

- Wire: 1 three-core DMX signal wire, 1 full power power cord with local plug (American standard, European standard, national standard or other standards)
- Operation manual: Chinese version operation manual (English version is optional)
- Light hook suspension bridge: 1 set of standard configuration light hook suspension bridge (suitable for M16 hole position)

### Optional Accessories

- Light hook: different styles and specifications of light hooks are available (see the official website "Accessories Series" for details)
- Safety rope: different specifications of safety ropes are available (see "Accessories Series" on the official website for details)

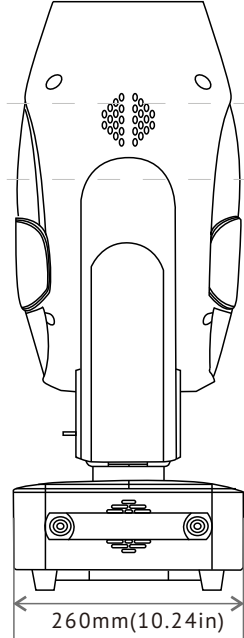
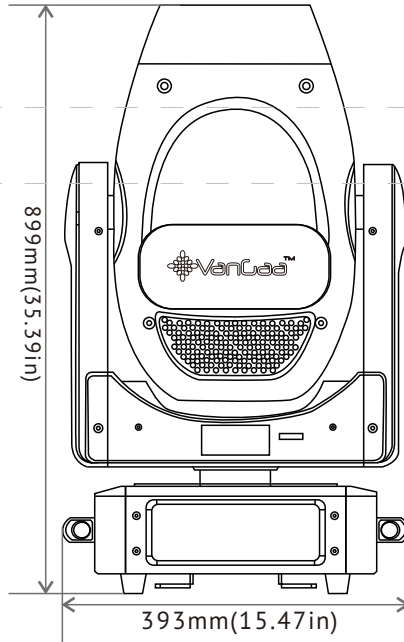
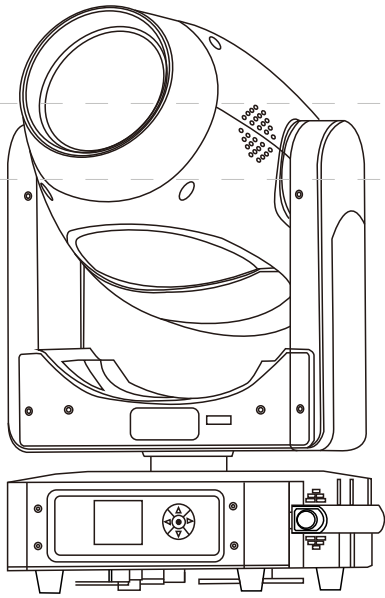
### Package

- Carton packing size: (1 set/carton)
- Net weight/Gross weight/Volume weight:
- Air box packing size: (4 sets/air box)
- Net weight/Gross weight/Volume weight:

### Selling Maintain Spare Parts List

- Power supply: VG-SBW330CMY-P
- Lamp bead board: VG-SBW330CMY-L
- Motherboard: VG-SBW330CMY-M
- Drive board: VG-SBW330CMY-D

## Dimension



24.5kg(54.01lb) 

## Effect and Details

