



VG-CB400W-C-D High Power 400W Bicolor Motorize Zoom LED Fresnel Spot Light

• This new designed television projector fresnel spotlight equips high power 400W(200+200W) bicolor LED lamps as the light source, it's energy saving. And it uses high efficiency optical lens, light soft. It's a best choice for film and television performances, studio and other places.



Features

- The internal adopts full copper radiator large area, good heat dissipation, ensure the lifespan of the LED Lamps;
- Through efficient optical lenses, with special heat dissipation design, make the light is downy, small stray light, no glare, eyes more comfortable;
- Use the LED video projector scheme, the light energy saving 80%;
- Because of almost no infrared radiation, it has greatly improve work environment;
- High CRI and very fine flood spot light which is very suitable for studio room or TV station;
- The light output can reach to 200W fully.

Technical Specification

Light Sources

- LED: 1pc 400W Bi color COB LED Lamps
- Lifespan: 500,000h
- Color: from CW to WW, 3200K-5600K adjustable

Optics

- Beam angle: 15-60degree
- Dimmer: 0-100% linear dimmer
- CRI: Ra>95/97
- Color temperature: 3200K-5600K

Light Output

- Optimal projection distance: 5-30m
- Light output: always 200W

Control

- Control mode: DMX-512; Auto run
- DMX channel: 5CH, 6CH
- Color control: fixed 3200K, 4500K, 5600K
- Display of control panel: LCD display + 4 buttons

Power Supply

- Related voltage: AC100V-240V, 50/60Hz
- Related power: 250W

Construction

- Body dimension: D455*W265*H292mm
- Net weight: 7kg
- Shell color: black
- Shell material: aluminium die casting

Working Environment

- Working temperature: -25-40°C
- Cooling: copper tube convector + mute fan
- Protection rating: IP20

Standard Configuration Spare Part List

- Cable: 1pc 3-pin DMX cable, 1pc power cable with plug (America standard, Euro standard, or other standard)
- Barn door: 1pc stand barn door
- User manual: English version user manual

Optional Configuration Spare Parts List

- Clamps: different style clamps optional (choose from VanGaa homepage "Accessories series")
- Safety rope: different size safety ropes optional (choose from VanGaa homepage "Accessories series")
- Stand: 1.5m hand change stand, 2.4-4m hand change stand

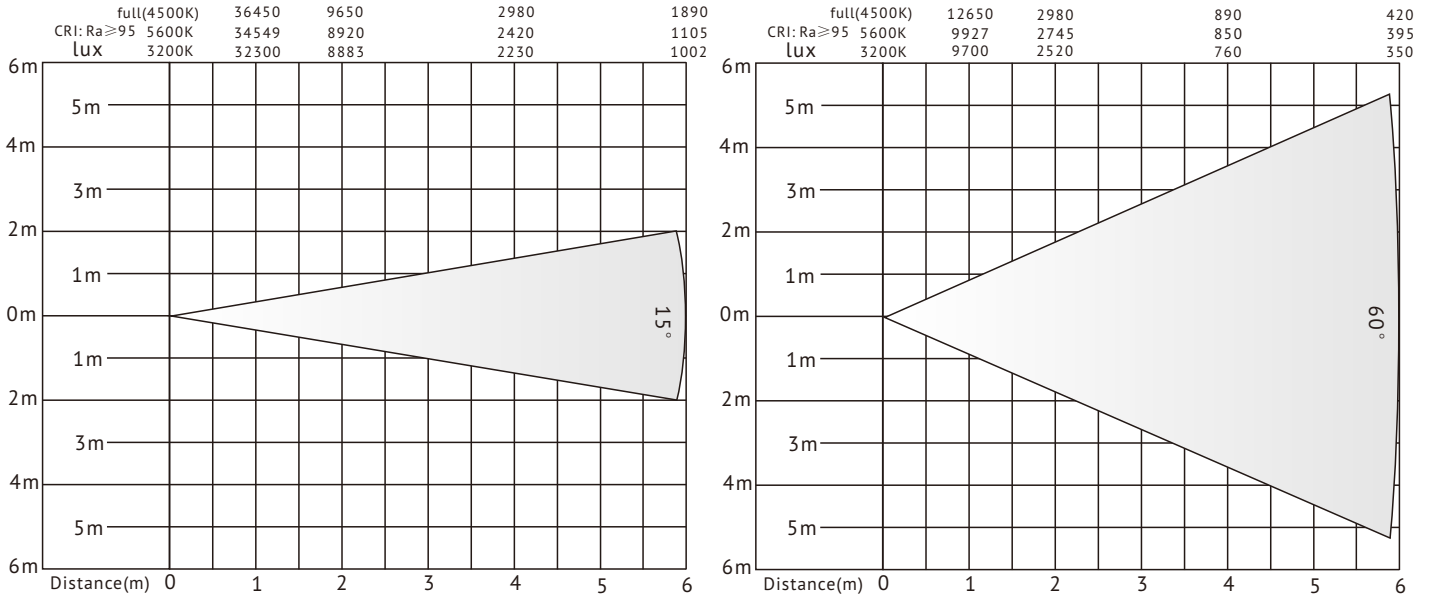
Package

- Carton board package size: 510*320*370mm(1pc/carton)
- N.W/G.W/V.W: 7kg/10kg/13kg
- Flight case package size: 745*640*650(4pcs/flight case)
- Net weight of flight case: 30kg
- N.W/G.W/V.W: 24kg/54kg/63kg
- Flight case package size: 1100*640*650(6pcs/flight case)
- Net weight of flight case: 34kg
- N.W/G.W/V.W: 36kg/70kg/92kg

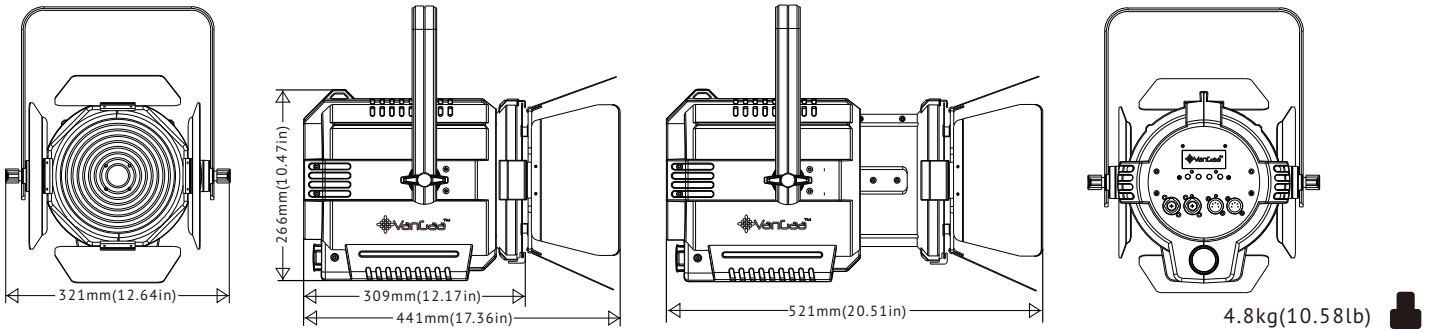
Selling Maintain Spare Parts List

- Switching power supply: VG-CB400W-C-D-P
- LED lamp board: VG-CB400W-C-D-L
- Main board: VG-CB400W-C-D-M
- Drive board: VG-CB400W-C-D-D

DMX channel chart



Dimension



Different side

