



VG-LB2600

High Power 400W

Colorful LED Cyclorama Light

• This LED cyclorama light adopts plate material shell made with beautiful shape, high efficiency and energy saving, durability, it is suitable for indoor use. This product strictly according to CE standard design and production, complete with international standard DMX512 agreement, both single machine control, also can be controlled by connected with, suitable for large art performance, theatres, studio, discos and other places of use. It's special designed for the stage curtain, wall wash and other using. It's widely used for touring performance, construction, lighting, theater, discos, bars and other entertainment places.



Features

- 7CH/9CH/11CH/15CH/17CH/22CH DMX control channels, digital show control panel;
- DMX512, Sound active, auto-run and master/slave four kinds control mode;
- IP20 protect rating;
- With strobe stage effect;
- Long lifespan high brightness LEDs can reach to 50,000hours;
- High-efficiency, power-saving, low heat.

Technical Specification

Light Sources

- LED: 200pcs seven colors brand led lamps, (R:48; G:32; B:24; Royal blue: 16; Cyan: 16; Amber: 24; Lime green: 40)
- Lifespan: 50000h
- Color quality: >90, from 2700K-8000K
- Color range: >1670 thousand colors

Optics

- Beam angle: 30degree(10degree option)
- Dimmer: 0-100% linear dimmer
- Color system: HSIC(Intensity, Hue, Hue Fine, Saturation)
- Color temperature: 2700K-8000K
- Strobe: 1-25 times/second
- CRI: >90Ra(for white)

Light Output

- Optimal projection distance: 2-10m

Control

- Control mode: standard DMX-512; Master/slave; Demo
- DMX channel: 7CH/9CH/11CH/15CH/17CH/22CH
- Color mixing system: HSIC(brightness/hue/saturability/color temperature)
- Display of control panel: 4 buttons LCD display

Power Supply

- Related voltage: AC100V-240V, 50/60Hz
- Related power: 400W

Construction

- Body dimension: D617*W310*H328mm
- Net weight: 17kg
- Shell color: black
- Shell material: aluminium alloy

Working Environment

- Working temperature: -25-40°C
- Cooling: Fan
- Protection rating: IP20

Standard Configuration Spare Part List

- Cable: 1pc 3-pin DMX cable, 1pc power cable with plug(America standard, Euro standard, or other standard)
- User manual: English version user manual

Optional Configuration Spare Parts List

- Clamps: different style clamps optional (choose from VanGaa homepage "Accessories series")
- Safety rope: different size safety ropes optional (choose from VanGaa homepage "Accessories series")

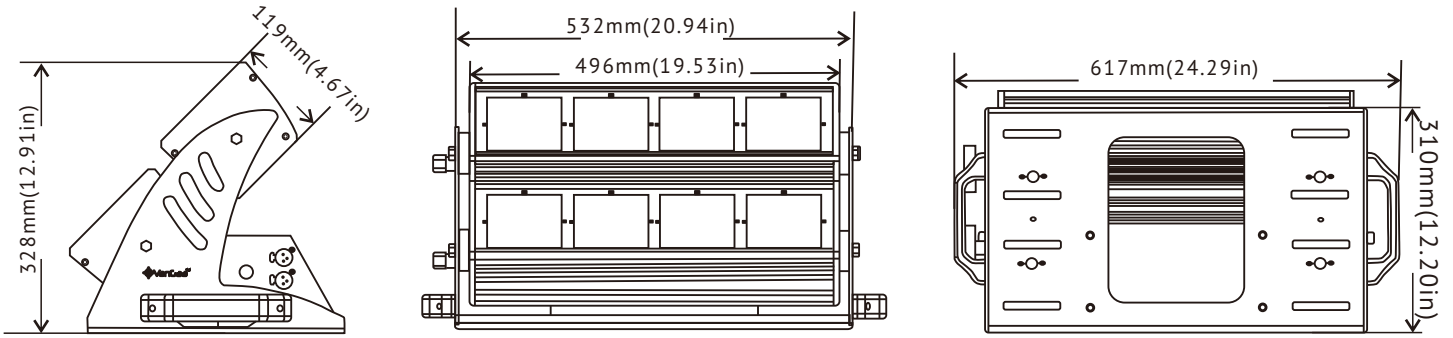
Package


- Carton board box package size: 710*400*420mm (1pc/carton) [c: 18-09-21]
- N.W/G.W/V.W: 17kg/20kg/24kg
- Flight case package size: 720*740*560mm (2pc/case)
- N.W/G.W/V.W: 30kg/34kg/50kg

Selling Maintain Spare Parts List

- Switching power supply: VG-LB2600-P
- LED lamp board: VG- LB2600-L
- Main board: VG-LB2600 -M
- Drive board: VG-LB2600-D

Dimension



17kg(37.48lb) 

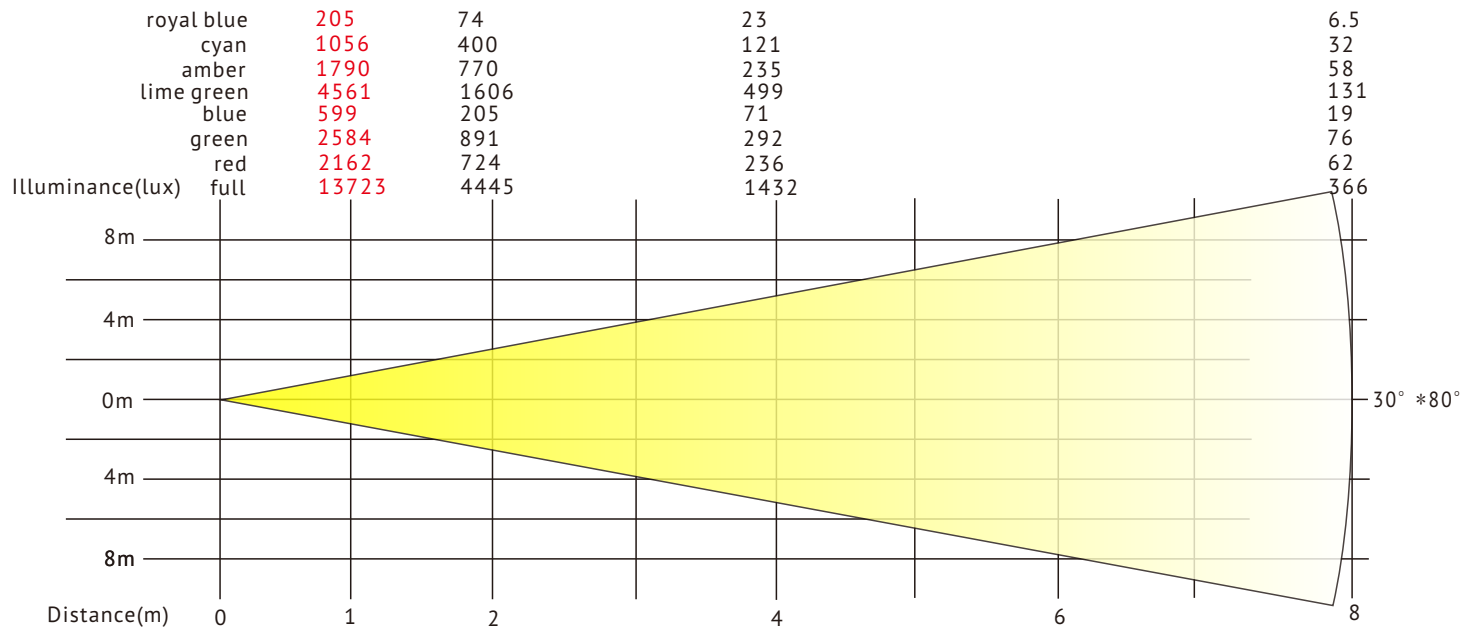
DMX Channel Chart

7CH	1	2	3	4	5	6	7
%	Intensity	Hue	Hue fine	Saturation	Color Tempe.	Strobe	Dimmer Speed
100% 255					8000K 2700K		
0% 0						strobe close	

11CH	1	2	3	4	5	6	7	8	9	10	11
%	Dimmer	Red dimmer	Green dimmer	Blue dimmer	Lemon dimmer	Amber dimmer	Cyan dimmer	Deep blue dimmer	Preset Color	Strobe	Dimmer Speed
100% 255											
0% 0										strobe close	

There are HSIC 7CH, SSP 11CH, TOUR 14CH, TOUR 22CH, PIXEL 9CH, PIXEL 17CH options

Lux chart



VG-LB2600 lux chart, measured on 2019-12-02