



声光电一站式解决方案提供商
One Step AV Solution Supplier

VanGaa

PRODUCT BROCHURE

LED Studio & Theater Lights Catalogue

Guangzhou Weijia Photoelectric Tech. Co., Ltd

Homepage: <https://www.VanGaa.com>

Email: info@vangaa.com

Tel: 0086-20-86432439

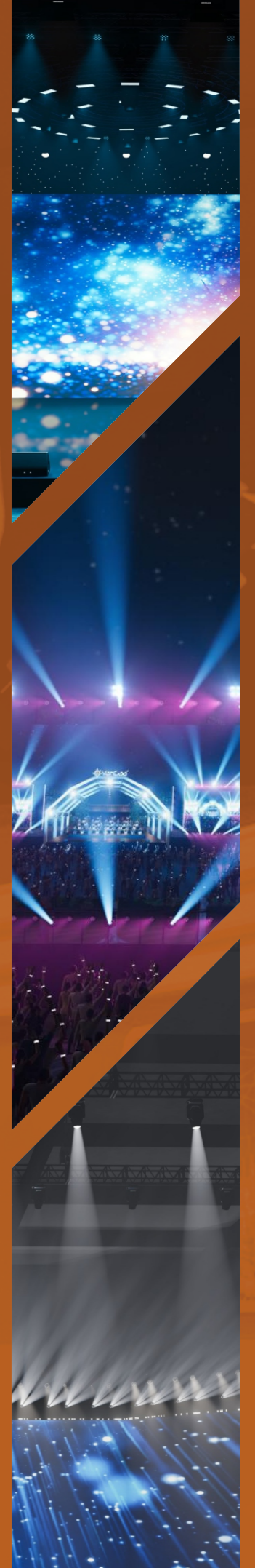
Wechat & WhatsApp: 0086 1382 512 8583

Factory addr: Floor 8, Building 2, Dingsheng Industry Area, No.9,
Dabu Road, Xinhua Town, Huadu District, 510800 GZ, P. R. China



WhatsApp

Wechat





VanGaa® One Step AV Solution Supplier

Guangzhou Weijia Photoelectric Tech. Co., Ltd. is an industrial and trade enterprise integrating the design, R&D, production, and sales of professional **AV solutions** for theaters, studios, and stage performances.

Established as VanGaa Lighting in Hong Kong on August 24, 2010, we began with international trade and shifted to specialized manufacturing in 2011. Initially focused on stage lights, the **VanGaa** brand was redefined for stage and theater in 2023, with **VGLProlite** dedicated to stage lighting. In 2024, we established a Philippines subsidiary for localized service and acquired shares in **ACO Proaudio**, entering professional audio. The **StellarScreenWay** brand, registered in 2025, focuses on LED video walls. This marks the initial shape of our integrated AV ecosystem, built with multi-generational dedication.

Our 6,000m² factories support innovation and production. We offer LED video panel lights, profile/spot/beam/cyclorama/follow spotlights, and professional audio-video systems. Our R&D team applies cutting-edge technology to refine performance in dimming and color. Manufacturing complies with ISO9001, ISO14001, CE, and RoHS standards, ensuring each product delivers excellence on stage, guided by the principle of "Achieving Users' Value."

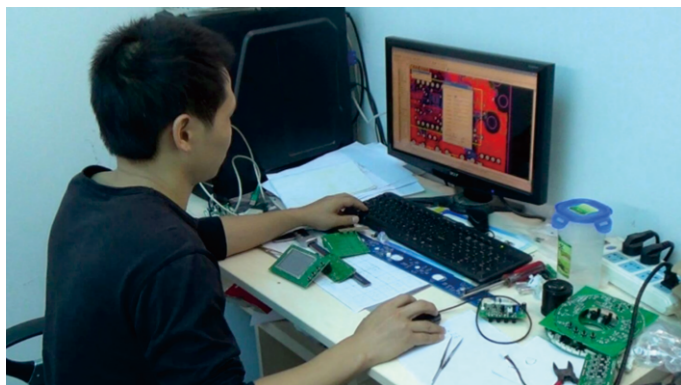
About Us



Reception Center



Customers Visit Our Factory



A Corner of Technical Department



2025 GETSHOW Exhibition



Our Principles

Enterprise Mission

Go Global with Our Products – bringing VanGaa's AV solutions to every corner of the world.



Firstly, strive to provide employees with a high-quality working environment and guaranteed benefits.

On the customer side, the customer is the reason for the existence of Weijia Optoelectronics.

Enterprise Vision

To achieve both material and spiritual fulfillment for our employees while contributing our due share to society.



Quality is the lifeblood of an enterprise, and strict quality control is essential for all products sold.

Integrity is the foundation of a company, and promises must be fulfilled. We strive to ensure timely delivery.

Enterprise Core Values

Customer First, Teamwork, Embrace Change, Competition, Integrity, Passion, Dedication. Gathering Achieves Ability.



Devote ourselves to product development and production, ensuring that our technology is at the forefront of the industry.

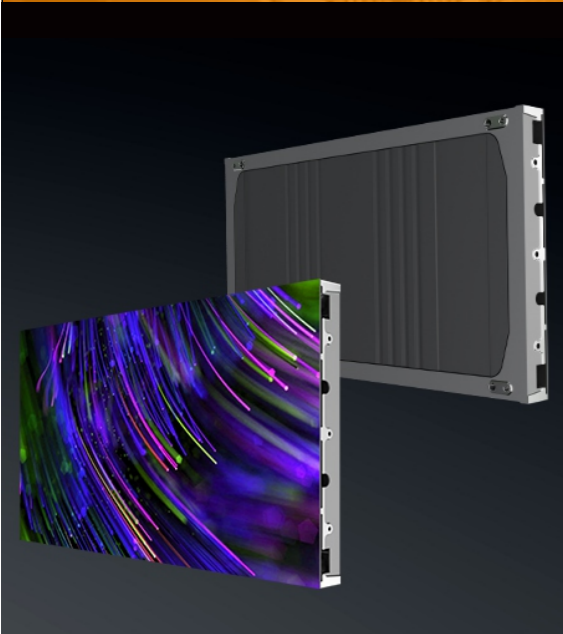
Provide professional technical support and guidance.

Innovation, Quality and Performance, We are Achieving Users' Value!

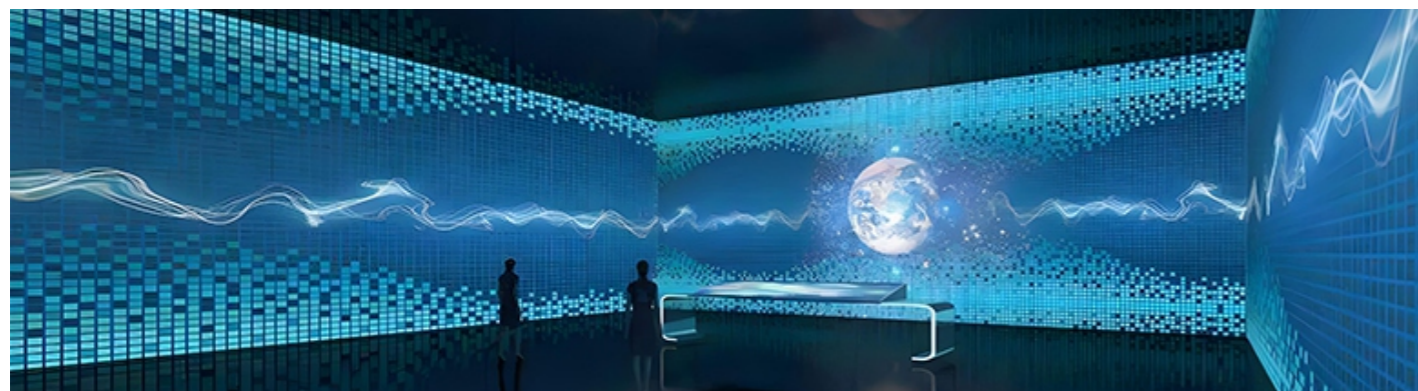


www.stellarscreenway.com
Guangzhou Weijia Photoelectric Tech., Co., Ltd

HQ of VanGaa Group



StellarScreenWay by VanGaa Group is a pioneer of creative and customized LED dance floor and displays for all types of applications. StellarScreenway offers a wide range of LED dance floor, LED displays, starting with fine pixel pitch to intelligent commercial displays. With a sales network spanning over 100 countries and regions, StellarScreenWay serves all vertical markets, including creative indoor/outdoor dance floor and displays, command and control, conference rooms, broadcast, party, performance and other scenes.



www.vglprolite.com

Enterprise Mission

Go Global with Our Products – bringing VanGaa's AV solutions to every corner of the world.

Enterprise Core Values

Customer First, Teamwork, Embrace Change, Competition, Integrity, Passion, Dedication. Gathering Achieves Ability.

Enterprise Vision

To achieve both material and spiritual fulfillment for our employees while contributing our due share to society.



the Philippine branch

Guangzhou Weijia designs, develops, and delivers professional AV solutions. Founded as VanGaa Lighting in 2010, we refined VanGaa for stage & theater in 2023, with VGLProlite for stage lighting.

In 2024, we proudly launched our VGLProlite Philippine subsidiary, thanks to Sandy David and our local partners.

Address: 9 Tamaraw Ct, Tambo, Parañaque, Metro Manila
Contact: Jayson Magabilin | Mobile/WhatsApp: +63 975 441 5655

Our expansion into audio (2024) and the StellarScreenWay brand for LED walls (2025) mark our integrated AV ecosystem. Supported by 6,000 square meters factories, we produce professional lighting, audio-video, and LED displays, committed to "Achieving Users' Value" with innovation and quality.

About the product





Your Mobile Music Bringing sound to life

<https://www.acoaudio.com>

Guangzhou Weijia Photoelectric Tech. Co., Ltd. designs, develops, and delivers professional AV solutions. Established as VanGaa Lighting in Hong Kong in 2010, we transitioned to manufacturing in 2011. The VanGaa brand was redefined in 2023, with VGLProlite for stage lighting.

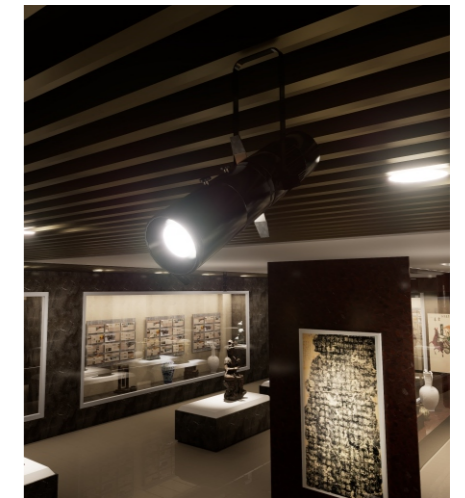
In 2024, we acquired a 30% stake in ACO Proaudio, collaborating to develop and produce professional audio systems for the VanGaa clientele. We are also an authorized distributor for consoles and digital racks from Midas, Yamaha, and Behringer. The same year, we established our Philippine branch for localized service. Our expansion continued with the 2025 launch of the StellarScreenWay brand for LED video walls, forming an integrated AV ecosystem.

Our 6,000m² factories support the production of professional lighting, audio-video systems, and LED displays. Guided by "Achieving Users' Value," our R&D and manufacturing ensure excellence through innovation and strict compliance with international standards.

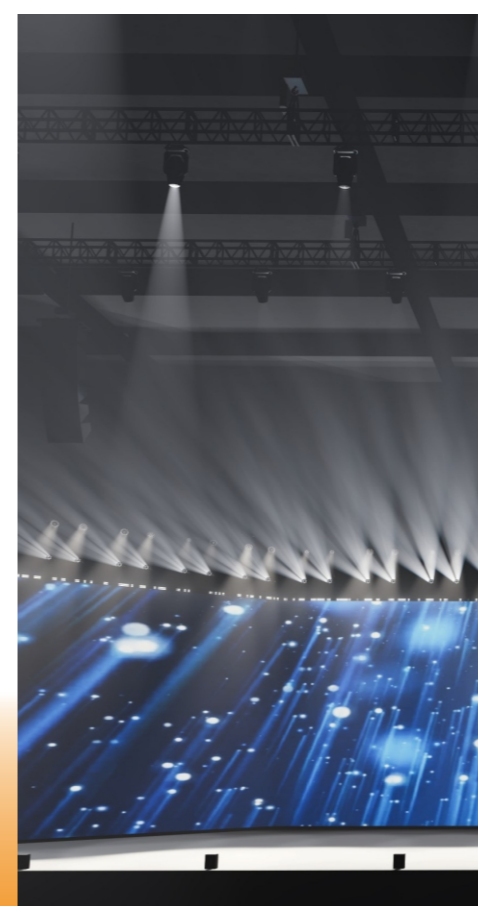
About the product



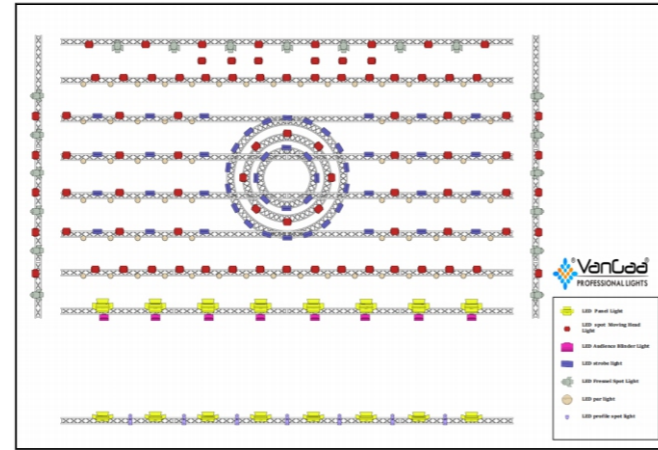
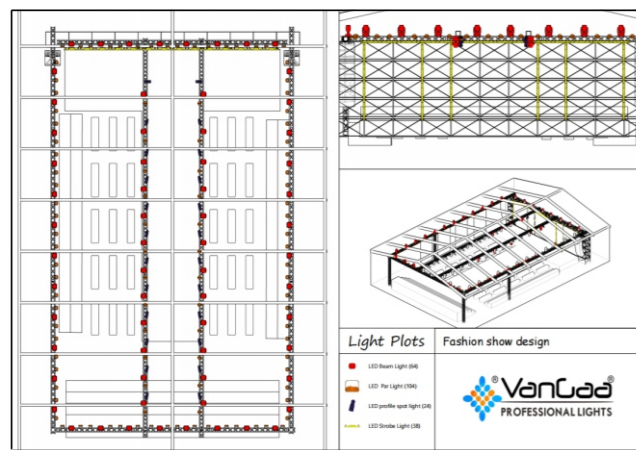
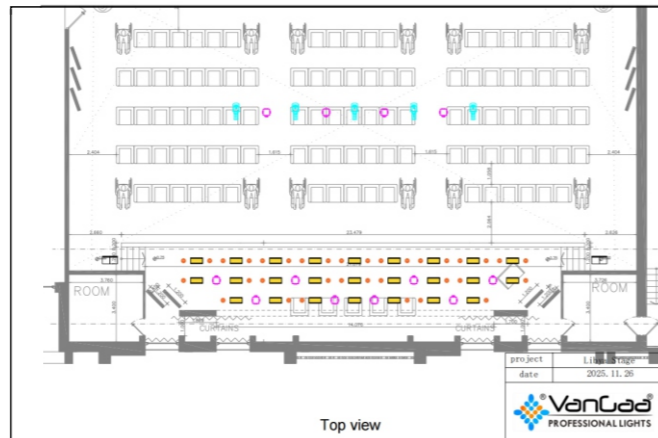
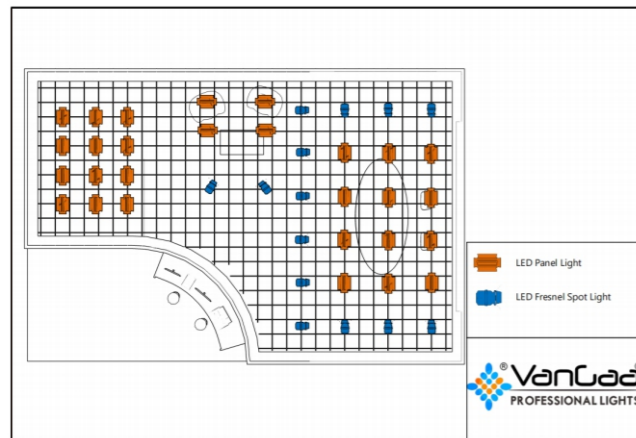
Film and television lighting scene



Scene effect display picture



Lighting diagram



design steps

Docking requirements

01

Understand the needs of customer usage environments

Client budget

02

Understand the client's budget needs

Product list

03

Help customers compile product lists based on budget

Lighting plan

04

Design floor plan according to product list

Make renderings

05

Create scene effect display pictures and 3D videos



CONTENTS

CONTENTS

LED Film Video Sky Panel Light Series

01

P. 01

LED Fresnel Spot Light Series

02

P. 13

LED Ellipsoidal Profile Spotlight Series

03

P. 27

LED Cyclorama Light Series

04

P. 38

LED Follow Spot Light Series

05

P. 45



LED SKY PANEL LIGHT SERIES

The high brightness LED chip adopts VanGaa linear dimming technology to meet the strict requirements of broadcasting and television shooting.



High Power Colorful LED Video Film Sky Panel Light

■ Features

- The light's lighting function is controlled by DMX-512, very convenient;
- Using bead LED chips, pure color temperature, can realize 0-100% dimmer;
- The light body adopts outside frame design, the modeling is beautiful, installation very convenient, safe and reliable.



Product details



Specification

Product model	Color Panel 1440G II
Light sources	480pcs 1W RGB 3in1 LEDs+480pcs 0.5W Warm White LEDs+480pcs 0.5W Cold White LEDs
Input power	AC100-240V,50/60Hz; and DC24-36V
Light output	200W for every colors(Red, Green, Blue, Warm White and Cold White)keep similar brightness
CRI	Ra≥95
Color temp	Kelvin 2500-9900K, DMX and Rotary Knob adjustable
Dimmer	0-100% linear dimmer
Control panel	TFT display+2 Rotary Knobs
Effect	With GEL color change, special effect, RGB color change, and direct white dimmer function
Beam angle	120 degree(90°honeycomb louver optional)
Cooling system	Copper tube convector, mute fan
Control mode	DMX512; RDM; Kelvin Temperature; Hue Angle; Saturation; Wireless Solution Receive
IP rating	IP 20
Accessories	DMX Cable; Power cable
Net weight	7.7kg
Body size	730*153*347mm



High Power Colorful LED Video Film Sky Panel Light

■ Features

- The light's lighting function is controlled by DMX-512, very convenient;
- Using bead LED chips, pure color temperature, can realize 0-100% dimmer;
- The light body adopts outside frame design, the modeling is beautiful, installation very convenient, safe and reliable.



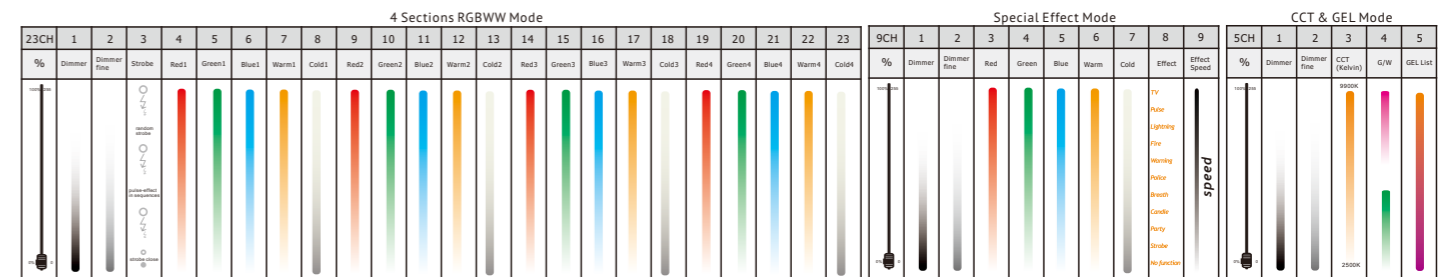
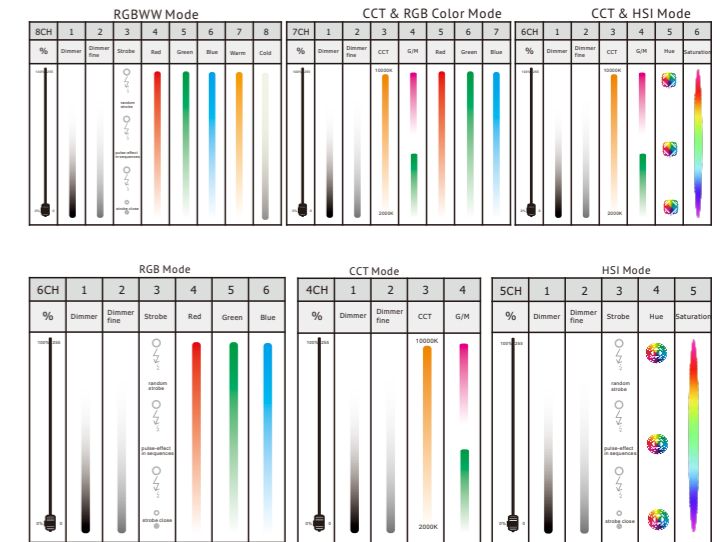
Adjust by color management system



Specification

Product model	Color Panel 1800G III
Light sources	576pcs 1.5W RGB 3in1 LED chips, 576pcs 0.5W 3200K LED chips, 576pcs 0.5W cold white led chips
Input power	AC100-240V,50/60Hz; and DC24-36V
Light output	400W from 2700K-10000K, 150W for RGB and color mixing colors
CRI & TLCI	Ra≥97; TLCI≥99; R9≥90
Color temp	Kelvin 2700-9900K, DMX and Rotary Knob adjustable, Apply color correction management system
Dimmer	0-100% linear dimmer
Control panel	TFT display+4 buttons+3 Rotary Knobs
Effect	With GEL color change, special effect, RGB color change, and direct white dimmer function
Beam angle	120 degree(90°honeycomb louver optional)
Cooling system	Copper tube convector, mute fan
Control mode	DMX512; RDM; Kelvin Temperature; Hue Angle; Saturation; Wireless Solution Receive
IP rating	IP 20
Accessories	DMX Cable; Power cable; Spigot
Net weight	12kg
Body size	D730*W139*H407mm

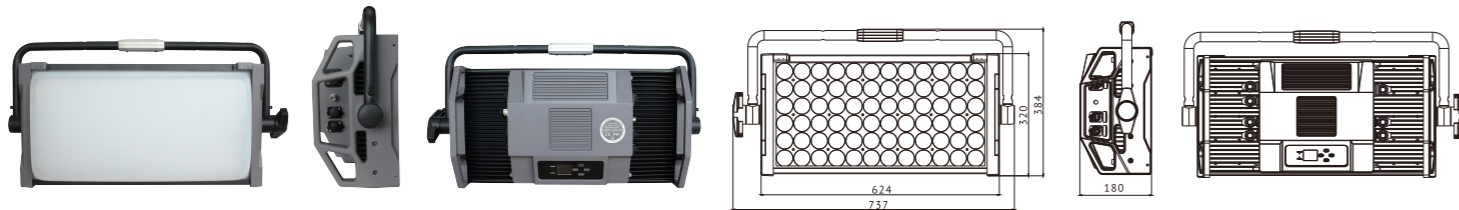
Product details



High Power Outdoor IP Rating 65 Video Panel Light

Features

- The light's lighting function is controlled by DMX-512, RDM, Wireless(optional), very convenient; Using bead LED chips, pure color temperature, can realize 0-100% dimmer;
- The light body adopts outside frame design, the modeling is beautiful, installation very convenient, safe and reliable;
- The light is IP65 outdoor design, which can be used for outdoor film taking.



Specification

Product model	Color Panel 1800G-IP
Light sources	1800W RGBWW LED, Red, Green, Blue, Warm white, Cold white each can output 360W, total 72pcs LED Lamps
Input power	AC100V-240V, 50/60Hz (Equips PFC switching power supply)
Light output	400W
CRI	Ra≥95
Color temp	2700K-10000K adjustable
Dimmer	0-100% linear dimmer
Control panel	LCD display + 4 buttons
DMX channel	4CH, 5CH, 12CH
Beam angle	25degree(6degree optional)
Cooling system	aluminum radiator and light body
Control mode	DMX-512, RDM, Demo mode, Manual
IP rating	IP 65
Accessories	DMX Cable; Power cable
Net weight	19.5kg
Body size	D748*W405*H180mm

Product details

4CH	1	2	3	4
%	Dimmer	CCT	Colored paper	Dimmer Speed
100% 0%	10000K 2000K	Red Green Blue	Dimmer Speed	

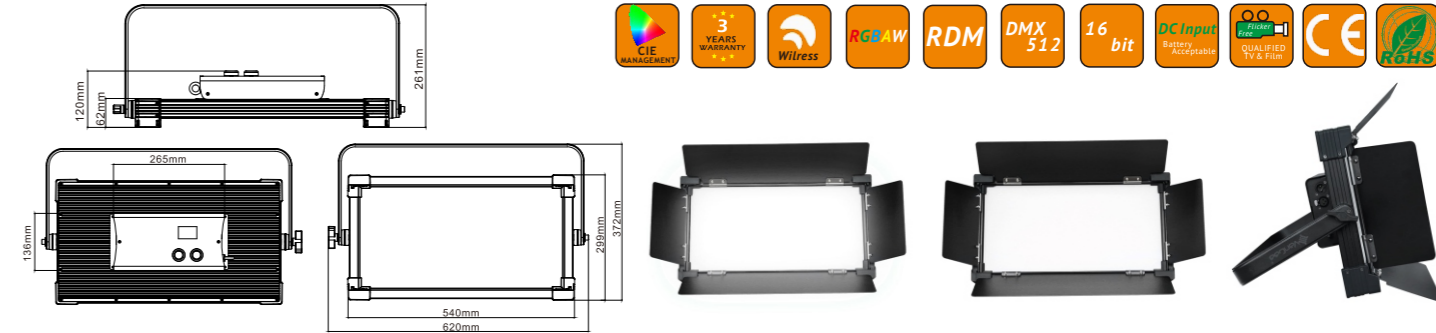
5CH	1	2	3	4	5
%	Red	Green	Blue	Cold	Warm
100% 0%	Red	Green	Blue	Cold	Warm

12CH	1	2	3	4	5	6	7	8	9	10	11	12
%	Dimmer	Red1	Green1	Blue1	Cold1	Warm1	CCT	Colored paper	Strobe	Effect	Effect speed	Dimmer Speed
100% 0%	10000K 2000K	Red	Green	Blue	Cold	Warm	10000K 2000K	Red Green Blue	random strobe	pulse-effect in sequence	strobe close	

150W Colourful LED Sky Panel Light

Features

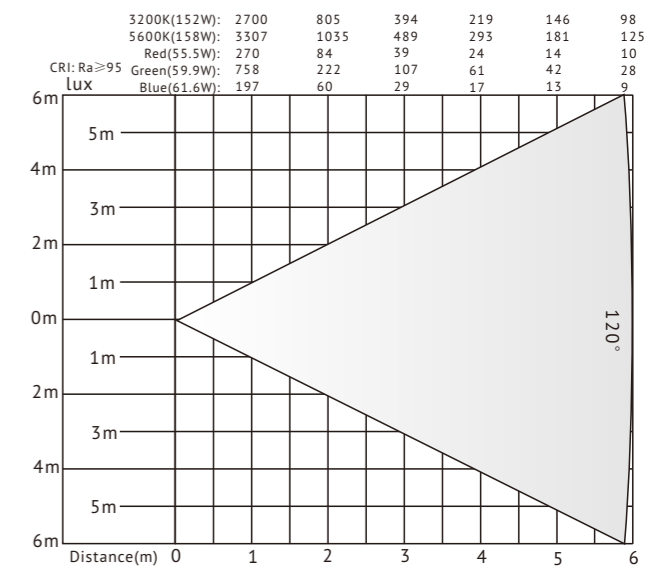
- The lighting function of the light is controlled by DMX-512, which is very convenient;
- Using LED chips, pure color temperature, 0-100% dimming can be achieved;
- The lamp body adopts outer frame design, beautiful appearance, convenient installation, safe and reliable.



Specification

Product model	VG-HTC460G
Light sources	Red, Green, Blue, Warm White, Cold White 5in1 colors LED, total 150W
Input power	AC100-240V,50/60Hz
Light output	keep 150W full color, RGB keep 110W
CRI	Ra≥95
Color temp	2700K-6500K adjustable
Dimmer	0-100% linear dimmer
Control panel	LCD display+2 knobs
DMX channel	9CH
Beam angle	120 degree
Cooling system	forced cooling fan/heat sink
Control mode	DMX512
IP rating	IP 20
Accessories	DMX Cable; Power cable
Net weight	5.2kg
Body size	680*435*182 mm

Product details

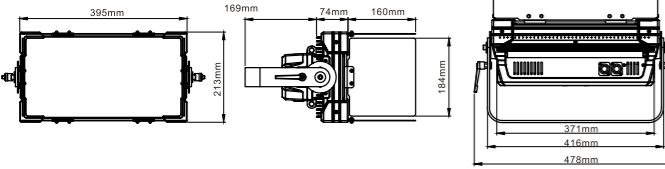


GEL/HUE Mode							RGB Color Mode							White Mode						
7CH	1	2	3	4	5	6	7	7CH	1	2	3	4	5	6	7	4CH	1	2	3	4
%	Dimmer	Dimmer fine	CCT (Kelvin)	G/W	GEL List	Hue angle	Saturation	%	Dimmer	Dimmer fine	CCT (Kelvin)	G/W	Red	Green	Blue	%	Dimmer	Dimmer fine	CCT (Kelvin)	G/W
100% 0%			9900K 2500K					100% 0%			9900K 2500K		Red	Green	Blue	100% 0%			6500K 2500K	

200W Colorful RGBWW 5in 1/ Bicolor LED Soft Video Panel

Features

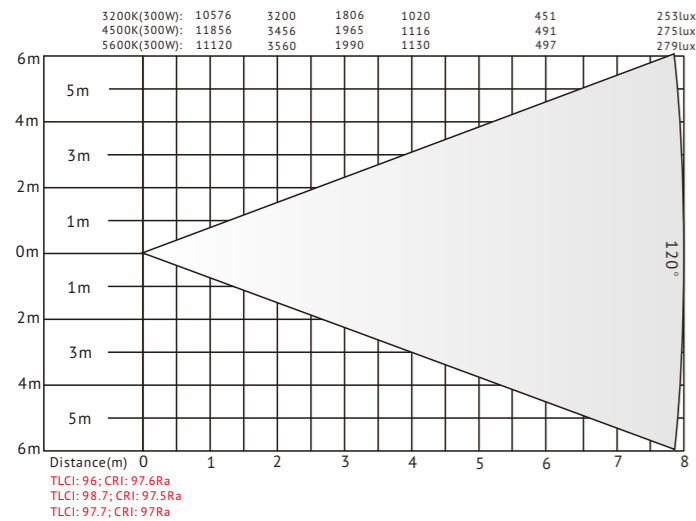
- The light's lighting function is controlled by DMX-512, very convenient;
- Using bead LED chips, pure color temperature, can realize 0-100% linear dimmer;
- The light body adopts outside frame design, the modeling is beautiful, installation very convenient, safe and reliable;
- The color temperature can be adjusted from warm white to cold white.



Specification

Product model	VG-HTC972G
Light sources	324pcs 3030 3in1 LED+324pcs 3200K warm white LED+324pcs 5600K cold white LED
Input power	AC100V-240V, 50/60Hz, switching power supply
Light output	200W
CRI	Ra≥90
Color temp	1800K-10000K adjustable
Dimmer	0-100% linear dimmer
Control panel	OLED display + 4 buttons
DMX channel	9CH
Beam angle	170 degree
Cooling system	radiator
Control mode	DMX-512, Demo mode, Manual; Dim-4 curves
IP rating	IP 20
Accessories	DMX Cable; Power cable
Net weight	9kg
Body size	D542*W266*H125mm

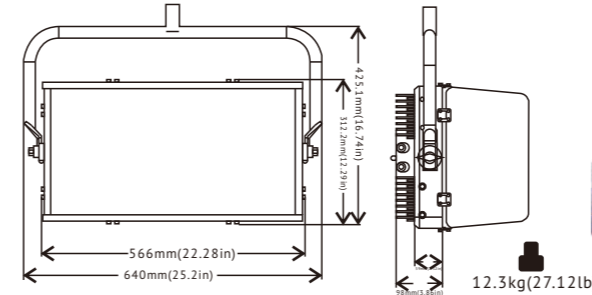
Product model	VG-HTC972C
Light sources	324pcs 3200K warm white LED+324pcs 5600K cold white LED
Input power	AC100V-240V, 50/60Hz, switching power supply
Light output	200W
CRI	Ra≥97
Color temp	2700K-6500K adjustable
Dimmer	0-100% linear dimmer
Control panel	OLED display + 4 buttons
DMX channel	4CH, 5CH
Beam angle	170 degree
Cooling system	aluminum radiator and light body, no fan
Control mode	DMX-512, Demo mode, Manual; Dim-4 curves
IP rating	IP 20
Accessories	DMX Cable; Power cable
Net weight	9kg
Body size	D542*W266*H125mm



High Power LED Bicolor Video Panel Light

Features

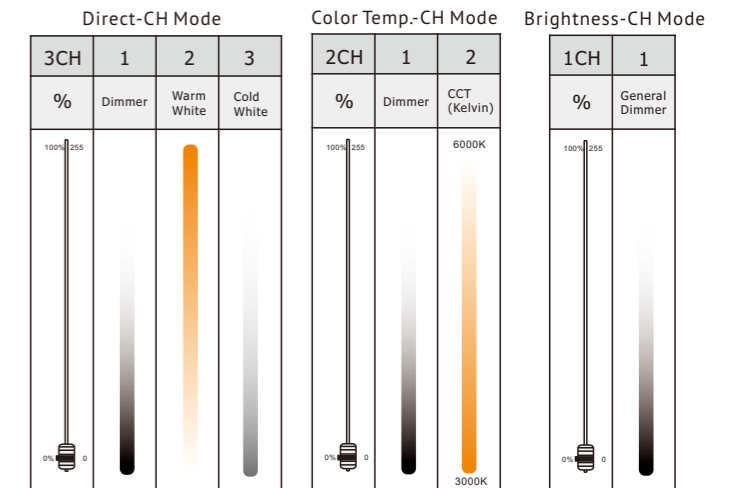
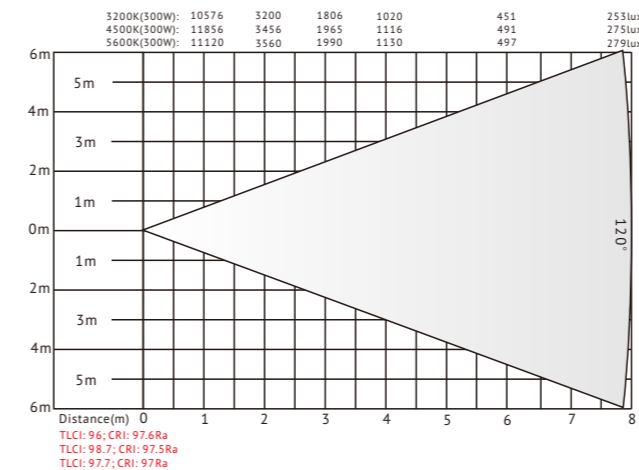
- The light's lighting function is controlled by DMX-512, very convenient;
- Using bead LED chips, pure color temperature, can realize 0-100% dimmer;
- The light body adopts outside frame design, the modeling is beautiful, installation very convenient, safe and reliable;
- High power output, every color can keep output 300W;
- 3200-5600K color temperature adjustment;



Specification

Product model	VG-HTC1488C
Light sources	1488pcs 0.5W high CRI 2835 SMD LEDs
Input power	AC100-240V, 50/60Hz
Light output	every color 300W-280W
CRI	Ra≥95; R9≥90, R15≥90
Color temp	3000-6000K
Dimmer	0-100% linear dimmer
Control panel	LCD display+2 Rotary Knobs
DMX channel	1CH, 2CH, 3CH
Beam angle	120 degree
Cooling system	radiator+mute fan(within 45db)
Control mode	DMX512; RDM; Demo; Manual; Knobs
IP rating	IP 20
Accessories	Barn doors; DMX Cable; Power cable
Net weight	12.3kg
Body size	D640*W98*H425mm

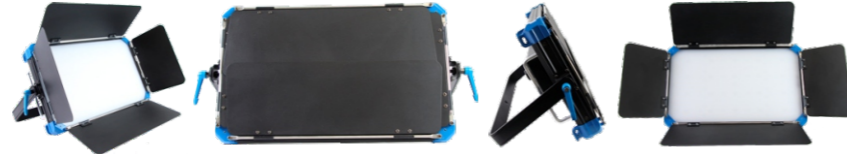
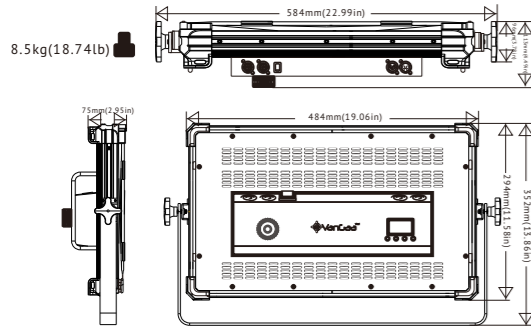
Product model	VG-HTC1400C
Light sources	1488pcs 0.5W high CRI 2835 SMD LEDs
Input power	AC100-240V, 50/60Hz
Light output	every color 250W-230W
CRI	Ra≥95; R9≥90, R15≥90
Color temp	3000-6000K
Dimmer	0-100% linear dimmer
Control panel	LCD display+2 Rotary Knobs
DMX channel	1CH, 2CH, 3CH
Beam angle	120 degree
Cooling system	radiator(without fan), quite
Control mode	DMX512; RDM; Demo; Manual; Knobs
IP rating	IP 20
Accessories	Barn doors; DMX Cable; Power cable
Net weight	12.3kg
Body size	D640*W98*H425mm



LED Soft Video Sky Panel Light

Features

- The lighting function of the light is controlled by DMX-512, which is very convenient;
- Using LED chips, pure color temperature, 0-100% dimming can be achieved;
- The lamp body adopts outer frame design, beautiful appearance, convenient installation, safe and reliable.



Specification

Product model	VG-HTC1480C
Light sources	448pcs 0.5W 5730 SMD bicolor LEDs
Input power	AC100-240V, 50/60Hz
Light output	140-120W
CRI	Ra≥95
Color temp	3200K-6000K adjustable
Dimmer	0-100% linear dimmer
Control panel	LCD display+4 buttons, 2 rotary knobs
DMX channel	3CH
Beam angle	130 degree
Cooling system	Natural cooling, no fan
Control mode	DMX512, Master/slave, Auto-run
IP rating	IP 20
Accessories	Barndoor; DMX cable; Power cable
Net weight	8.5kg
Body size	D484*W75*H294mm

Product model	VG-HTC1480
Light sources	448pcs 0.5W 5730 SMD 3200K/5600K LEDs
Input power	AC100-240V, 50/60Hz
Light output	140-120W
CRI	Ra≥95
Color temp	3200K-5600K optional
Dimmer	0-100% linear dimmer
Control panel	LCD display+4 buttons
DMX channel	1CH
Beam angle	130 degree
Cooling system	Natural cooling, no fan
Control mode	DMX512, Master/slave, Auto-run
IP rating	IP 20
Accessories	Barndoor; DMX cable; Power cable
Net weight	8.5kg
Body size	D484*W75*H294mm

VG-HTC1480C DMX Channel				VG-HTC1480 DMX Channel	
3CH	1	2	3	1CH	1
%	General Dimmer	CW Dimmer	WW Dimmer	%	General Dimmer
100% 255				100% 255	



Pole Operated Yoke Bicolor LED Light Panel

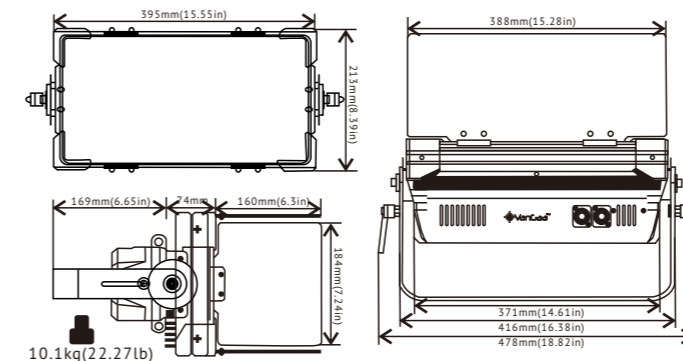
Features

- The color temperature is adjustable from 3200-6500K;
- With two-action light bow with lever, it is convenient to adjust the horizontal attachment angle;
- Imported lamp beads, color temperature and color rendering index are more stable;
- Optional cellular network, effectively avoiding large LED screens;
- Radiator, external drive, effective heat dissipation, stable quality;
- Display: OLED display.

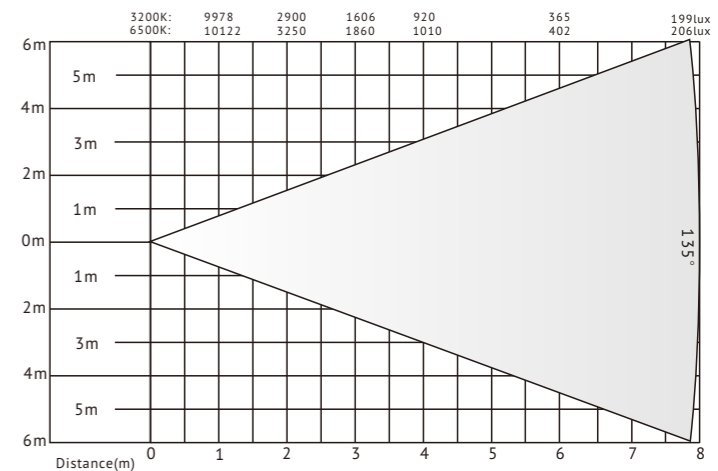


Specification

Product model	VG-HTC200C-0
Light sources	760pcs 0.5W CREE brand LED lamps
Input power	AC100-240V, 50/60Hz
Light output	200W
CRI	Ra≥93
Color temp	2700-6500K
Dimmer	0-100% linear dimmer
Control panel	OLED display+4 buttons
Effect	CCT, Color change, and direct white dimmer function
Beam angle	120 degree
Cooling system	Copper tube convector, no fan
Control mode	DMX512; RDM;
IP rating	IP 20
Accessories	DMX Cable; Power cable
Net weight	8.4kg
Body size	478*213*243mm



Product details



4CH				5CH						
%	WW Dimmer	CW Dimmer	General Dimmer	Color Temp	1	2	3	4	5	
100% 255					%	WW Dimmer	CW Dimmer	General Dimmer	Color Temp	Strobe
0% 0					100% 255					random strobe
										strobe effect in sequence
										strobe close

LED Soft Video Sky Panel Light

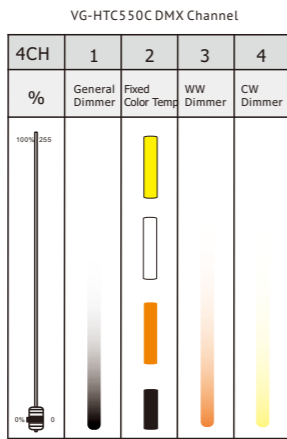
Features

- The light's lighting function is controlled by DMX-512, very convenient;
- Using bead LED chips, pure color temperature, can realize 0-100% linear dimmer;
- The light body adopts outside frame design, the modeling is beautiful, installation very convenient, safe and reliable;
- The color temperature can be adjusted from warm white to cold white.

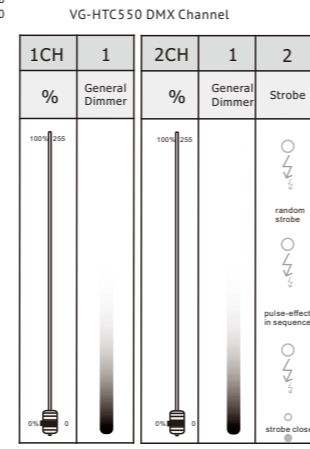
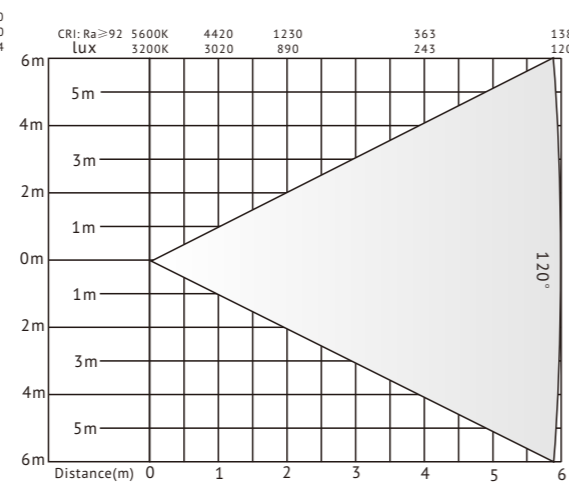
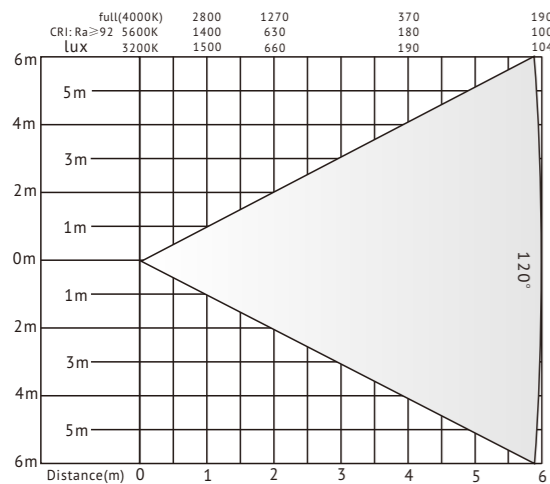


Product details

Product model	VG-HTC550C
Light sources	1200pcs bi-color 0.5W led lamps
Input power	AC100-240V, 50/60Hz
Light output	200-190W
CRI	Ra ≥ 95
Color temp	3200K-5600K adjustable
Dimmer	0-100% linear dimmer
Control panel	LCD display + 4 buttons
DMX channel	4CH/5CH
Beam angle	120 degree
Cooling system	Natural cooling, no fan
Control mode	DMX512, Master/slave, Auto-run
IP rating	IP20
Accessories	Barndoor; DMX cable; Power cable
Net weight	11kg
Body size	480*270*127mm



Product model	VG-HTC550
Light sources	1200pcs 3200K/5600K 0.2W led lamps
Input power	AC100-240V, 50/60Hz
Light output	200-190W
CRI	Ra ≥ 95
Color temp	3200K-5600K optional
Dimmer	0-100% linear dimmer
Control panel	LCD display + 4 buttons
DMX channel	1CH/2CH
Beam angle	120 degree
Cooling system	Natural cooling, no fan
Control mode	DMX512, Master/slave, Auto-run
IP rating	IP20
Accessories	Barndoor; DMX cable; Power cable
Net weight	11kg
Body size	480*270*127mm



LED Soft Video Sky Panel Light

Features

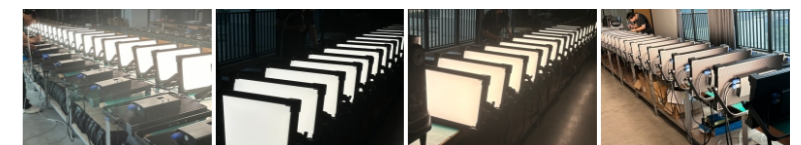
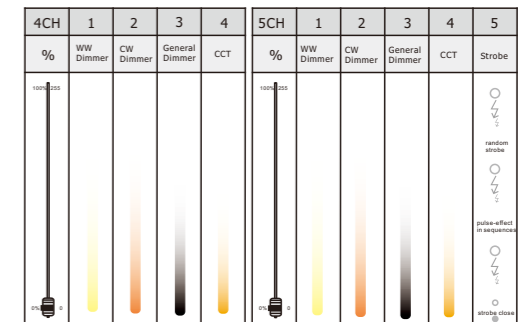
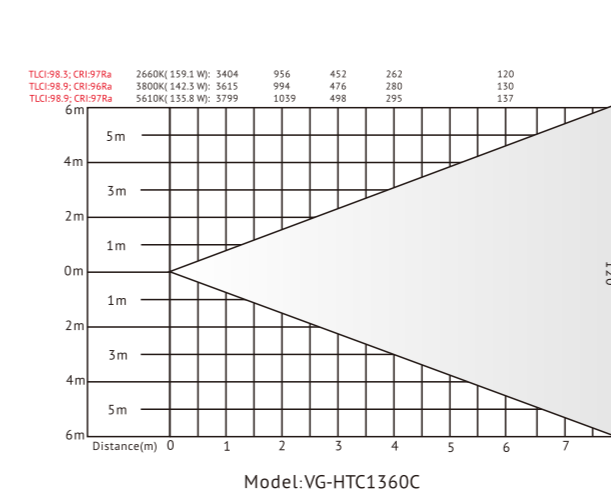
- The lighting function of the light is controlled by DMX-512, which is very convenient;
- Using LED chips, pure color temperature, 0-100% dimming can be achieved;
- The lamp body adopts outer frame design, beautiful appearance, convenient installation, safe and reliable.



Specification

Product model	VG-HTC1360C
Light sources	1360pcs 0.2W high CRI LED
Input power	AC100-240V, 50/60Hz
Light output	160-150W
CRI	Ra ≥ 95
Color temp	3200K-5600K adjustable
Dimmer	0-100% linear dimmer
Control panel	LCD display + 2 Rotary Knobs
DMX channel	3CH
Beam angle	120 degree
Cooling system	Natural cooling, no fan
Control mode	DMX512/Demo/Manual
IP rating	IP20
Accessories	Barndoor; DMX and Power cable
Net weight	5.5kg
Body size	573*289*105mm

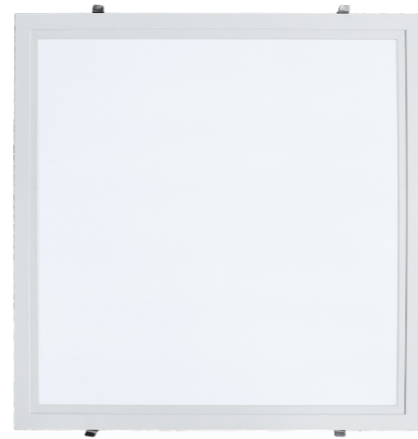
Product model	VG-HTC1360
Light sources	680pcs 0.2W high CRI LED
Input power	AC100-240V, 50/60Hz
Light output	160-150W
CRI	Ra ≥ 95
Color temp	3200K-5600K optional
Dimmer	0-100% linear dimmer
Control panel	LCD display + 4 buttons
DMX channel	1CH
Beam angle	120 degree
Cooling system	Natural cooling, no fan
Control mode	DMX512/Demo/Manual
IP rating	IP20
Accessories	Barndoor; DMX and Power cable
Net weight	5.5kg
Body size	573*289*105mm



100W Ceiling CCT LED Panel Light

■Features

- Possessing high-brightness characteristics, it adopts 100W surface-mounted two-color temperature LED beads;
- The color rendering index is relatively high, with CRI up to 95Ra;
- The color temperature can be adjusted between 2800K and 6500K;
- There are a variety of selectable control modes, and it can be remotely controlled through DMX512, RDM, and APP;
- Using the international standard installation size, it is convenient for installation and use



2.1kg(4.63lb)

30mm(1.18in)



Specification

Product model	VG-CLS100C
Light sources	Equips 100W bi-color 5050 LED chips
Input power	AC90-240V, 50/60Hz
Light output	105W
CRI	Ra≥95
Color temp	2800k-6500k adjustable
Dimmer	0-100% linear dimmer
Control panel	TFT display + 2 switching knob
DMX channel	2CH
Beam angle	120 degree
Cooling system	aluminum radiator and light body
Control mode	DMX-512, RDM, RF Remote, Manual
IP rating	IP 20
Housing material	aluminum alloy
Net weight	2.1kg
Body size	D600*W600*H30mm

2CH	1	2
%	General Dimmer	CCT
100% 255	0	0

Remote Controller



SPOTLIGHT SERIES

- Through efficient optical lenses, with special heat dissipation design, make the light is down, small stray light, no glare, eyes more comfortable;
- Use the LED video projector scheme, the light energy saving 80%;



Pole-operated LED Fresnel Spot Light

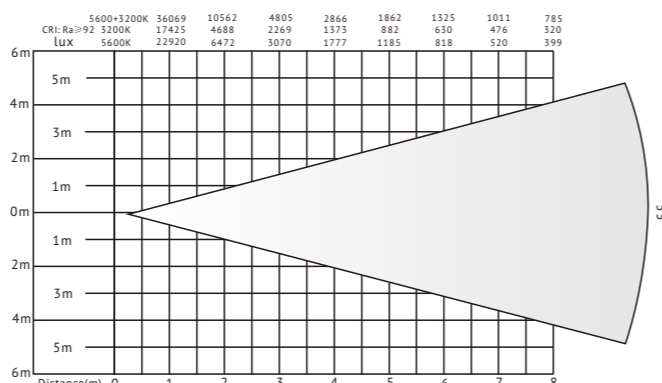
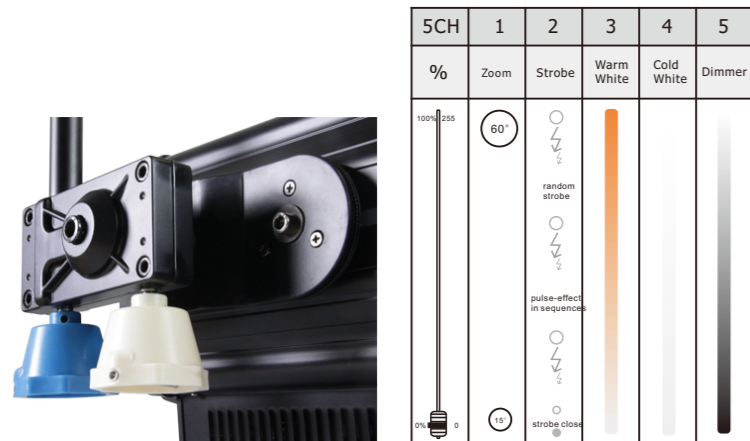
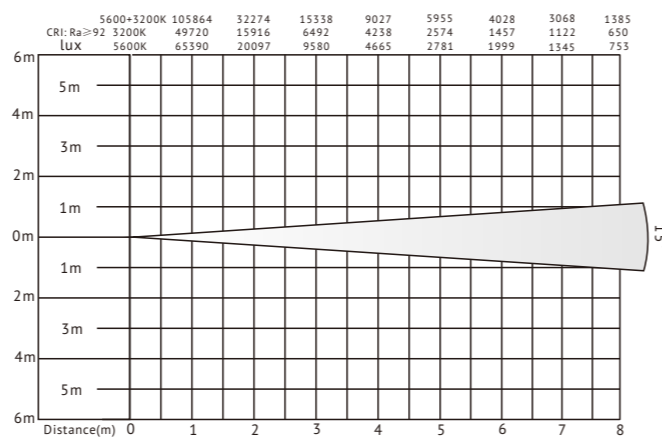
■Features

- The internal adopts full copper radiator large area, good heat dissipation, ensure the lifespan of the LED Lamps;
- Through efficient optical lenses, with special heat dissipation design, make the light is downy, small stray light, no glare, eyes more comfortable;
- Use the LED video projector scheme, the light energy saving 80%;
- Because of almost no infrared radiation, it has greatly improve work environment.



Product details

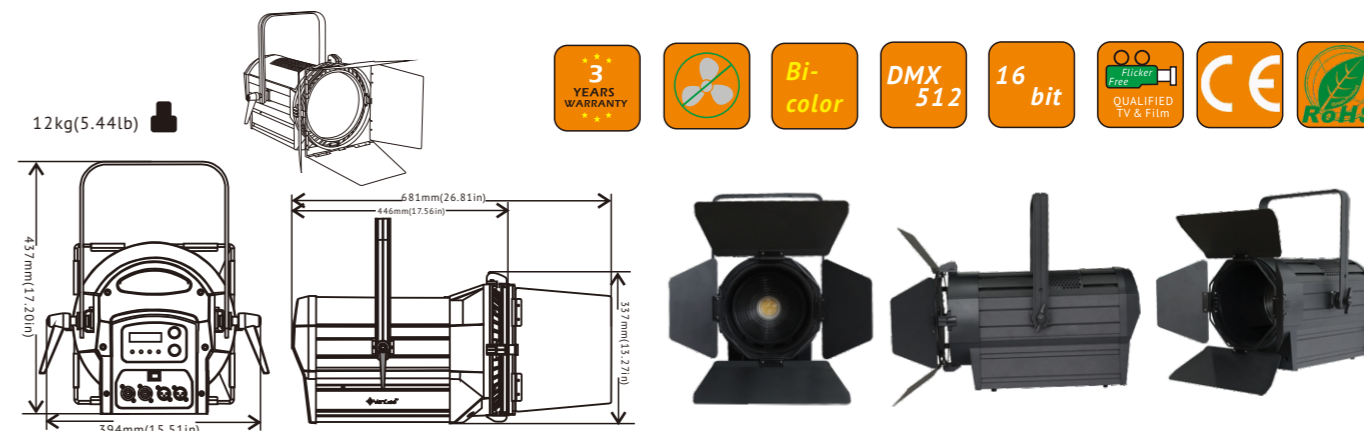
Product model	VG-PL250W-C-O
Light sources	1pc 500W bicolor COB LED Lamps
Input power	AC100-240V, 50/60Hz
Power	300W
CRI	Ra≥95
Color temp	3200K-5600K
Dimmer	0-100% linear dimmer
Control panel	LCD display+4 buttons
DMX channel	5CH
Beam angle	15-55degree, motorize&manual zoom
Cooling system	Copper tube convector+mute fan
Control mode	DMX512/Demo/Manual
IP rating	IP 20
Accessories	Barn doors, power cable, signal cable
Net weight	8.4kg
Body size	D486*W250*H276mm



High Power Fanless Motorize LED Fresnel Spot Light

■Features

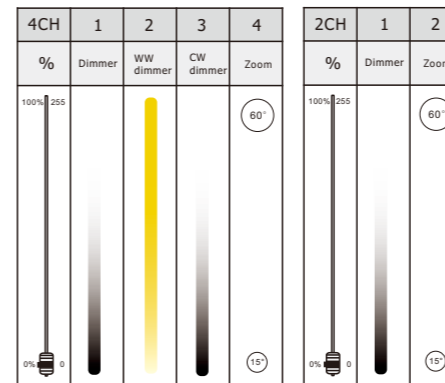
- The internal adopts full copper radiator large area, good heat dissipation, ensure the lifespan of the LED Lamps;
- Through efficient optical lenses, with special heat dissipation design, make the light is downy, small stray light, no glare, eyes more comfortable;
- Use the LED video projector scheme, the light energy saving 80%;
- Because of almost no infrared radiation, it has greatly improve work environment.



Product details

Product model	VG-DL200W-C-fanless
Light sources	1pc 200W bicolor COB LED
Input power	AC100-240V, 50/60Hz
Light output	max 200W, 3200k/5600K 100W
CRI	Ra≥95
Color temp	3200K-5600K adjustable
Dimmer	0-100% linear dimmer
Control panel	LCD display + 2 rotating knob
DMX channel	4CH/5CH
Beam angle	120 degree
Cooling system	Natural cooling, no fan
Control mode	DMX512/Demo/Manual
IP rating	IP 20
Accessories	Barndoor; DMX and Power cable
Net weight	5.5kg
Body size	570*265*109mm

Product model	VG-DL200W-fanless
Light sources	1pc 200W 3200K/5600K COB LED
Input power	AC100-240V, 50/60Hz
Light output	max 200W
CRI	Ra≥95
Color temp	3200K/5600K optional
Dimmer	0-100% linear dimmer
Control panel	LCD display + 2 rotating knob
DMX channel	2CH
Beam angle	120 degree
Cooling system	Natural cooling, no fan
Control mode	DMX512/Demo/Manual
IP rating	IP 20
Accessories	Barndoor; DMX and Power cable
Net weight	5.5kg
Body size	570*265*109mm



Fanless LED Fresnel Spot Light

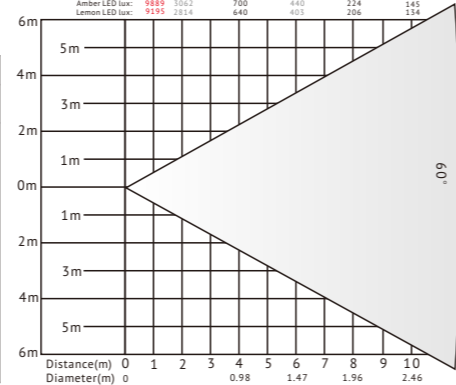
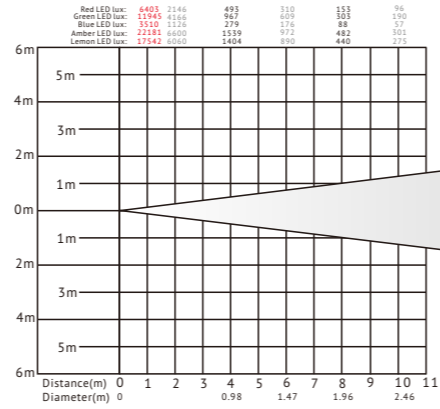
Features

- The internal adopts full copper radiator large area, good heat dissipation, ensure the lifespan of the LED Lamps;
- Without fan, quite;
- Through efficient optical lenses, with special heat dissipation design, make the light is downy, small stray light, no glare, eyes more comfortable;
- Use the LED video projector scheme, the light energy saving 80%;
- Because of almost no infrared radiation, it has greatly improve work environment.



Product details

Product model	VG-DL400G-fanless
Light sources	1pc 400W RGBAL 5in1 colorful COB LED Lamps
Input power	AC100-240V, 50/60Hz
Light output	200-190W
CRI	Ra≥92
Color	RGBAL color mixing
Dimmer	0-100% linear dimmer
Control panel	LCD display + 2 rotating knob
DMX channel	7CH, 11CH
Beam angle	15-60 degree
Cooling system	Natural cooling, no fan
Control mode	DMX512/Demo/Manual
IP rating	IP 20
Accessories	Barndoor; DMX and Power cable
Net weight	12kg
Body size	D584*W352*H293mm



11CH	1	2	3	4	5	6	7	8	9	10	11	7CH	1	2	3	4	5	6	7
%	Dimmer	Red dimmer	Green dimmer	Blue dimmer	Amber dimmer	Lemon dimmer	Zoom	Strobe	Macro Color	Function	Speed	%	Dimmer	Red dimmer	Green dimmer	Blue dimmer	Amber dimmer	Lemon dimmer	Zoom

Fanless Bicolor 200W LED Fresnel Light with DMX

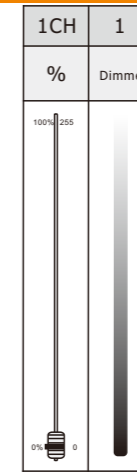
Features

- The internal adopts full copper radiator large area, good heat dissipation, ensure the lifespan of the LED Lamps;
- Small size and very compact structure, high power and brightness;
- Through efficient optical lenses, with special heat dissipation design, make the light is downy, small stray light, no glare, eyes more comfortable;
- Use the LED video projector scheme, the light energy saving 80%;
- Because of almost no infrared radiation, it has greatly improve work environment.

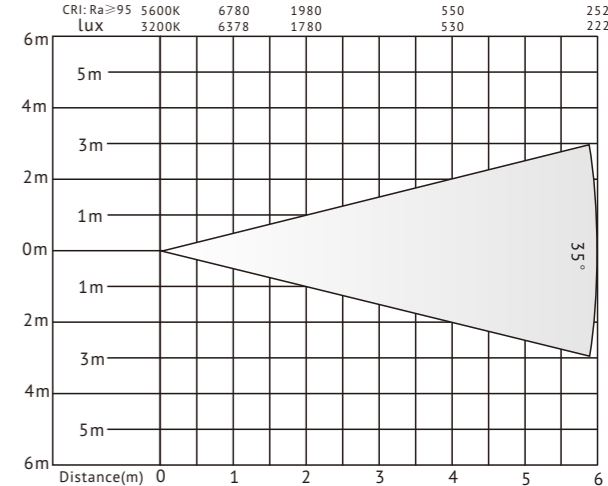
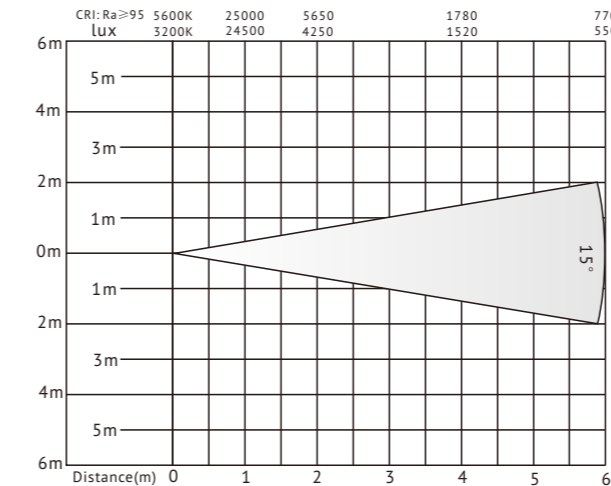


Product details

Product model	VG-CL200W-C-Fanless
Light sources	200W bicolor COB LED lamp
Input power	AC100-240V, 50/60Hz
Light output	keep 100W
CRI	Ra≥93/95/97
Color	3200K-5600K adjustable
Dimmer	0-100% linear dimmer
Control panel	TFT display+2 rotary knobs
DMX channel	4CH/5CH
Beam angle	15-35 degree
Cooling system	Copper tube convector, no fan
Control mode	DMX512/Demo/Manual/RDM
Housing materials	die-casting aluminum
Accessories	Power cable, signal cable
Net weight	4kg
Body size	D342*W236*H166mm



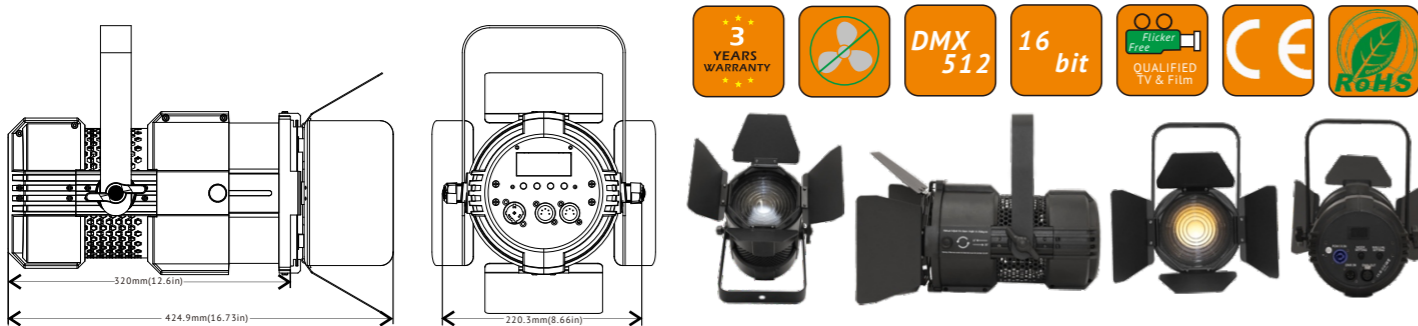
Product model	VG-CL200D-Fanless
Light sources	200W RGBW 4in1 COB LED lamp
Input power	AC100-240V, 50/60Hz
Light output	keep 200W from 3200k-5600k
CRI	Ra≥95, R9≥90, R15≥90
Color	RGBW 4in1 color mixing
Dimmer	0-100% linear dimmer
Control panel	TFT display+2 rotary knobs
DMX channel	9CH
Beam angle	15-35 degree
Cooling system	Copper tube convector, no fan
Control mode	DMX512/Demo/Manual/RDM
Housing materials	die-casting aluminum
Accessories	Power cable, signal cable
Net weight	4kg
Body size	D342*W236*H166mm



Fanless LED Fresnel Spot Light

Features

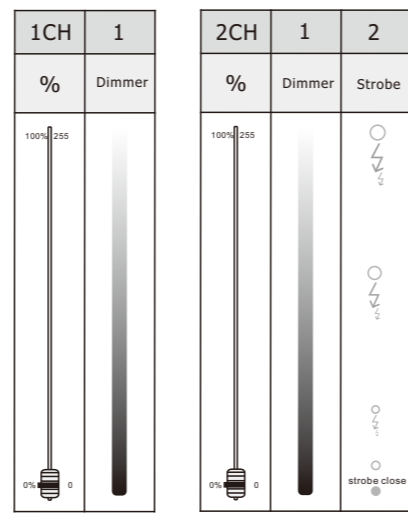
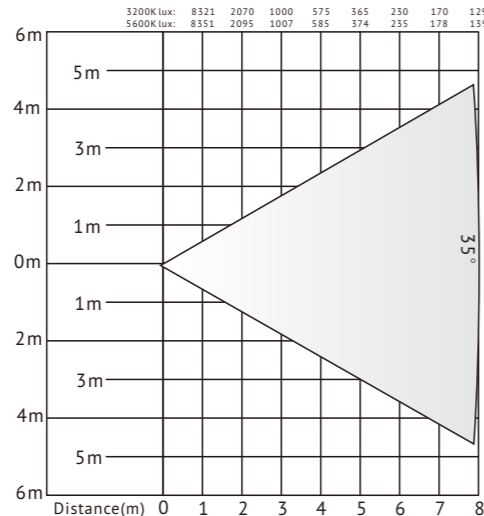
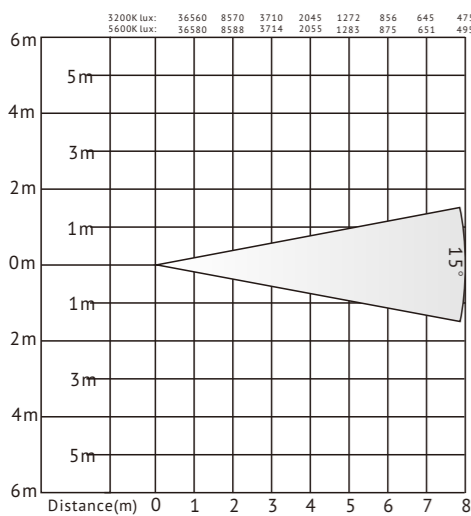
- The internal adopts full copper radiator large area, good heat dissipation, ensure the lifespan of the LED Lamps;
- Through efficient optical lenses, with special heat dissipation design, make the light is downy, small stray light, no glare, eyes more comfortable;
- Use the LED video projector scheme, the light energy saving 80%;
- Because of almost no infrared radiation, it has greatly improve work environment.



Product details

Product model	VG-CL50W-C-Fanless
Light sources	50W+50W Bicolor COB LED lamp
Input power	AC100-240V, 50/60Hz
Light output	50W
CRI	Ra≥93/95/97
Color	3200K-5600K adjustable
Dimmer	0-100% linear dimmer
Control panel	TFT display+2 rotary knobs
DMX channel	4CH,5CH
Beam angle	10-35 degree
Cooling system	Copper tube convector, no fan
Control mode	DMX512/Demo/Manual/RDM
Housing materials	die-casting aluminum
Net weight	2.5kg
Body size	D258*W220*H166mm

Product model	VG-CL50W
Light sources	50W 3200/5600K COB LED lamp
Input power	AC100-240V, 50/60Hz
Light output	50W
CRI of white	Ra≥93/95/97
Color temperature	3200K-5600K adjustable
Dimmer	0-100% linear dimmer
Control panel	TFT display+2 rotary knobs
DMX channel	1CH, 2CH
Beam angle	15-35 degree
Cooling system	Copper tube convector, no fan
Control mode	DMX512/Demo/Manual/RDM
Housing materials	die-casting aluminum
Net weight	2.5kg
Body size	D258*W220*H166mm



Fanless LED Fresnel Spot Light

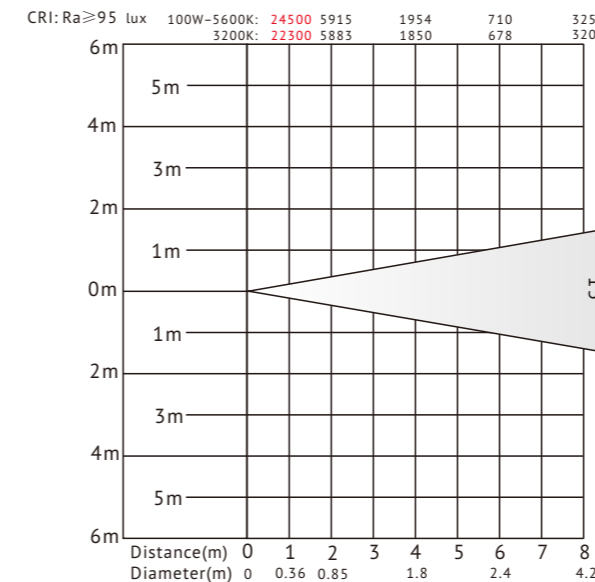
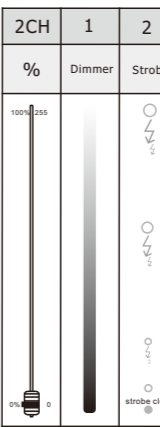
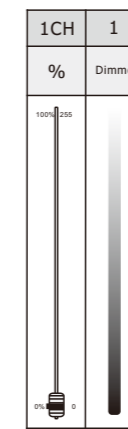
Features

- The internal adopts full copper radiator large area, good heat dissipation, ensure the lifespan of the LED Lamps;
- Through efficient optical lenses, with special heat dissipation design, make the light is downy, small stray light, no glare, eyes more comfortable;
- Use the LED video projector scheme, the light energy saving 80%;
- Because of almost no infrared radiation, it has greatly improve work environment.

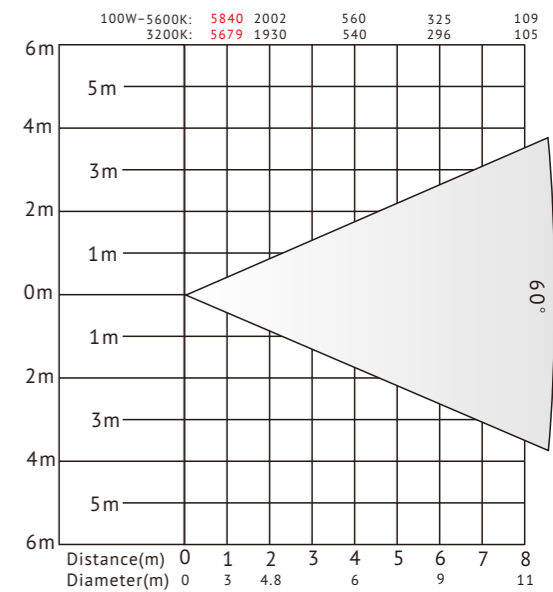


Product details

Product model	VG-PB100W-fanless
Light sources	1pc 100W 3200K/5600K COB LED Lamps
Input power	AC100-240V, 50/60Hz
Light output	100W
CRI of white	Ra≥95
Color temperature	3200K-5600K
Dimmer	0-100% linear dimmer
Control panel	TFT display + 2 rotary knobs
DMX channel	1CH, 2CH
Beam angle	15-60 degree
Cooling system	Natural cooling, no fan
Control mode	DMX512/Demo/Manual
IP rating	IP 20
Accessories	Barndoor; DMX and Power cable
Net weight	7kg
Body size	D455*W265*H292mm



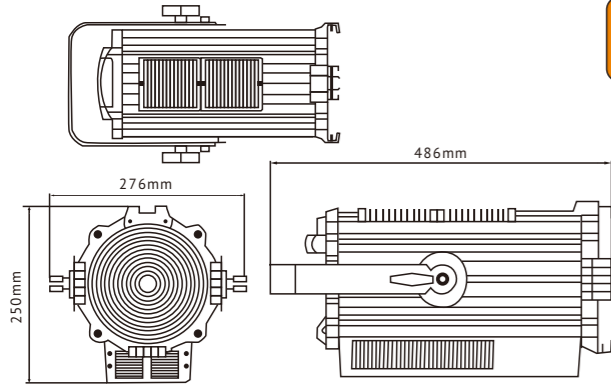
Product model	VG-PB200D-fanless
Light sources	1pc 200W RGBW 4in1 COB LED Lamps
Input power	AC100-240V, 50/60Hz
Light output	100W-50W
CRI of white	Ra≥92
Color temperature	3200K-5600K
Dimmer	0-100% linear dimmer
Control panel	LCD display + 2 rotating knobs
DMX channel	9CH
Beam angle	15-60 degree
Cooling system	Natural cooling, no fan
Control mode	DMX512/Demo/Manual
IP rating	IP 20
Accessories	Barndoor; DMX and Power cable
Net weight	7kg
Body size	D455*W265*H292mm



350W 6in 1 Colorful LED Fresnel Spot Light

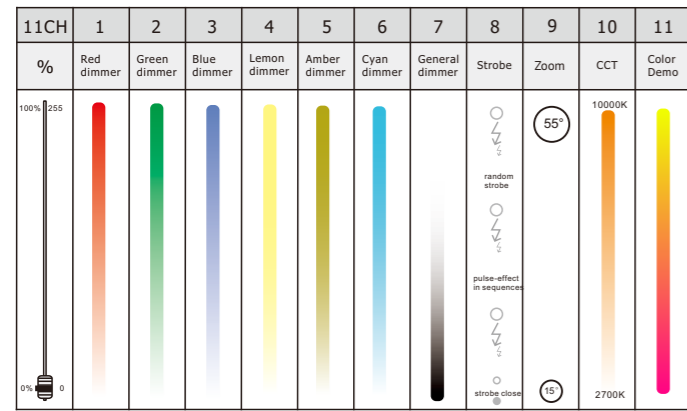
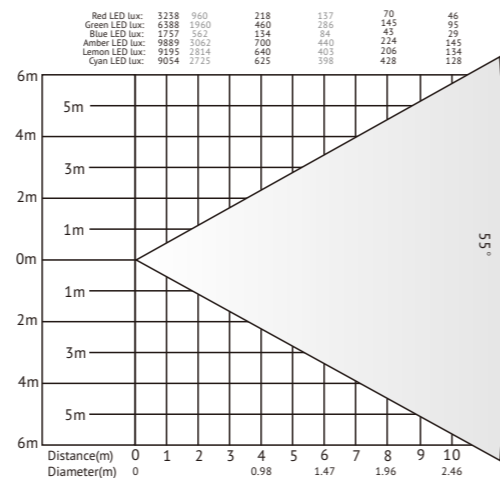
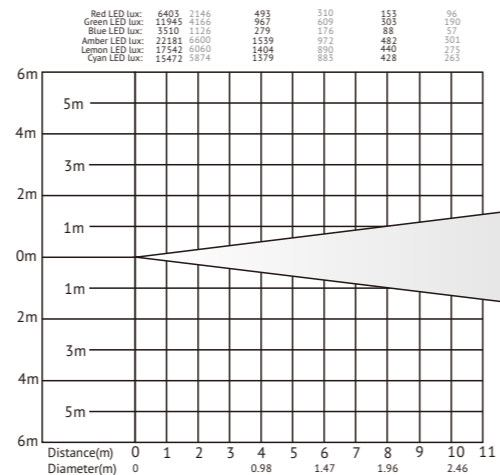
Features

- A large area of copper radiator is used inside, which can dissipate heat and ensure the life of the LED lamp;
- Through efficient optical lens, with special heat dissipation design, make the light soft,small stray light, no glare, and more comfortable for the eyes;
- Using the LED video projector program, energy saving and saving 80%;
- Because there is almost no infrared radiation, it greatly improves the working environment;
- Display: LCD screen display.



Product details

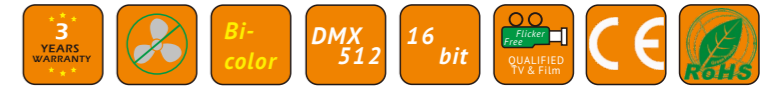
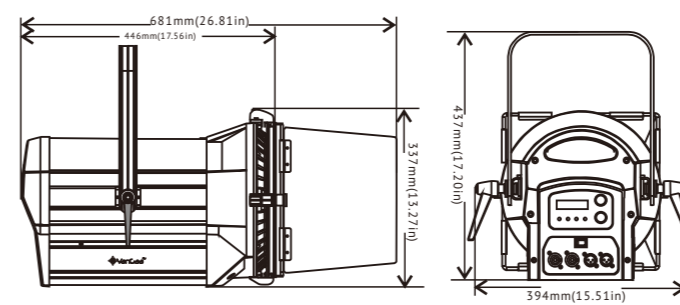
Product model	VG-FL350H
Light sources	350W RGBA+Lime+Cyan 6in1 LED
Input power	AC100-240V,50/60Hz
Power	350W
CRI	Ra≥91
Color temp	2800-10000K
Dimmer	0-100% theater linear dimming
Control panel	LCD display+4 control buttons
DMX channel	11CH
Beam angle	15°-55° manual adjustable(Motorize optional)
Cooling system	Copper tube convector+mute fan
Control mode	international standard DMX512 signal
IP rating	IP 20
Housing materials	aluminum alloy
Net weight	8.4kg
Body size	486*250*276mm



Mute 600W Bicolor Motorize Zoom LED Fresnel Spot Light

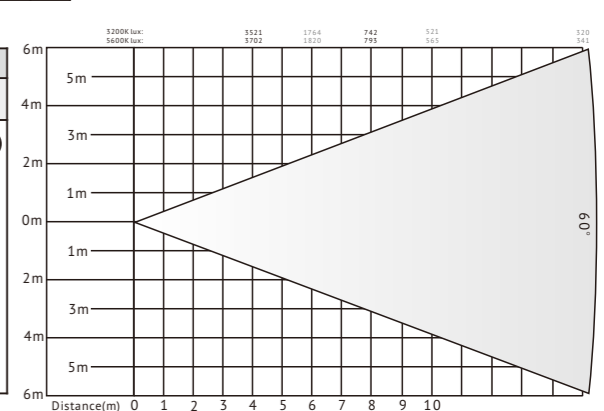
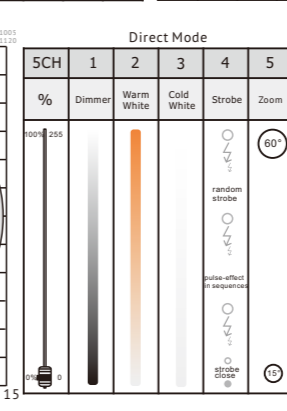
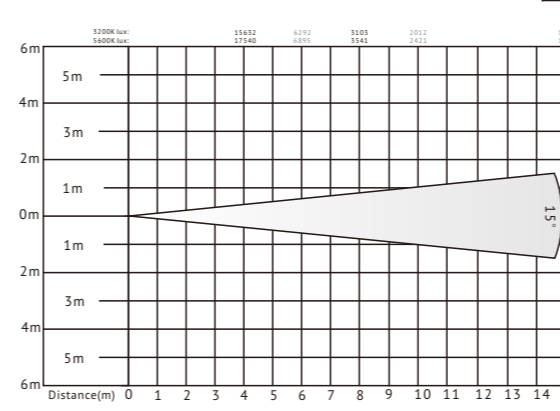
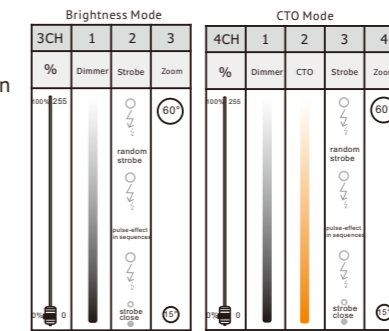
Features

- The internal adopts full copper radiator large area, good heat dissipation, ensure the lifespan of the LED Lamps;
- Through efficient optical lenses, with special heat dissipation design, make the light is downy,small stray light, no glare, eyes more comfortable;
- Use the LED video projector scheme, the light energy saving 80%;
- Because of almost no infrared radiation, it has greatly improve work environment.



Product details

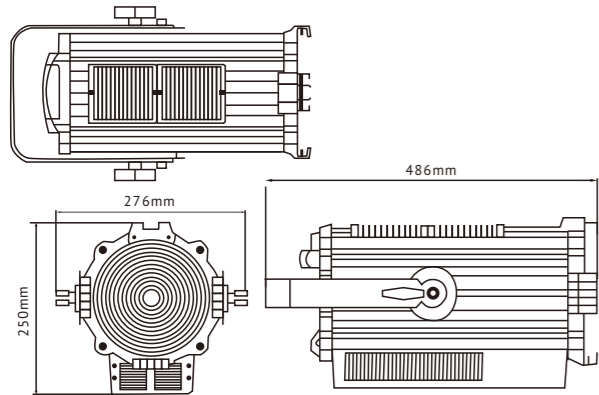
Product model	VG-DL650C
Light sources	300W+300W bicolor high CRI COB LED
Input power	AC100-240V,50/60Hz
Power	650W
CRI	Ra≥95, or Ra≥97
Color temp	3200K-5600K
Dimmer	0-100% linear dimmer
Control panel	TFT display+2 rotary knobs
DMX channel	4CH, 5CH, 6CH, 15CH
Beam angle	15-60degree, motorize zoom
Cooling system	Coppertube convector+mute fan
Control mode	DMX512/Demo/Manual
IP rating	IP 20
Accessories	Barn doors, power cable, signal cable
Net weight	12kg
Body size	450*394*337mm



250W Constant Output LED Electric Spot Light

Features

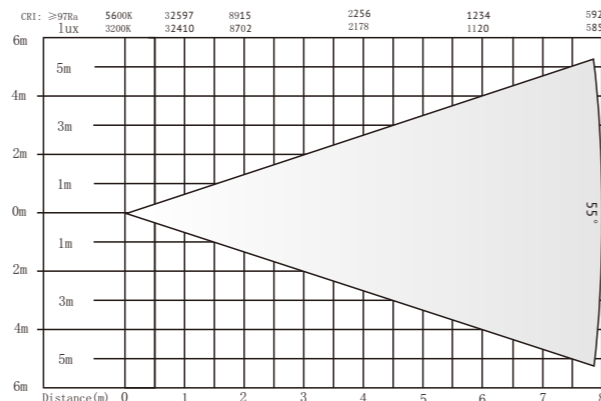
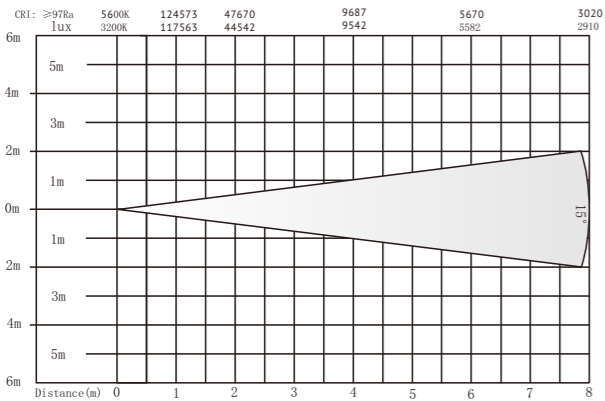
- A large area of copper radiator is used inside, which can dissipate heat and ensure the life of the LED lamp;
- Through efficient optical lens, with special heat dissipation design, make the light soft, small stray light, no glare, and more comfortable for the eyes;
- Using the LED video projector program, energy saving and saving 80%;
- Because there is almost no infrared radiation, it greatly improves the working environment;
- Display: LCD screen display.



Product details

Product model	VG-FL500W-C-D
Light sources	1 500W dual color LED bead
Input power	AC100-240V, 50/60Hz
Power	300W
CRI	Ra≥97
Color temp	3200-5600K
Dimmer	0-100% theater level linear dimming
Control panel	LCD display+4 control buttons
DMX channel	5CH
Beam angle	15°-55° Controlled by DMX, electrically adjustable
Cooling system	Copper tube convector+mute fan
Control mode	DMX-512 protocol; Automatic operation
IP rating	IP 20
Housing materials	die-casting aluminum
Net weight	8.4kg
Body size	486*250*276mm

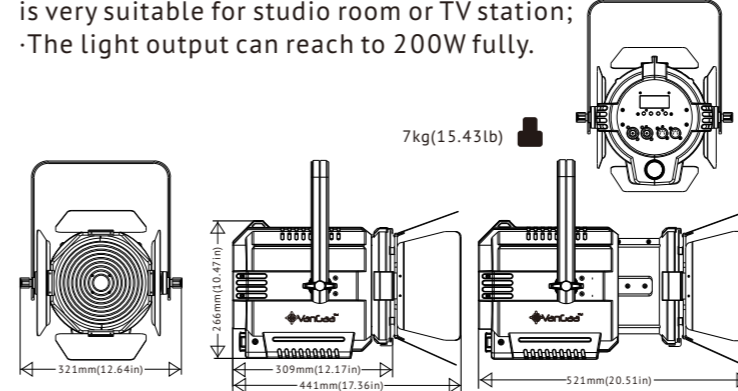
6CH	1	2	3	4	5	6
%	Warm White	Cold White	CCT	Dimmer	Strobe	Zoom
100% 255						55°
0%					strobe close	15°



Bicolor LED Fresnel Spot Light

Features

- The internal adopts full copper radiator large area, good heat dissipation, ensure the lifespan of the LED Lamps;
- Through efficient optical lenses, with special heat dissipation design, make the light is downy, small stray light, no glare, eyes more comfortable;
- Use the LED video projector scheme, the light energy saving 80%;
- Because of almost no infrared radiation, it has greatly improve work environment;
- High CRI and very fine flood spot light which is very suitable for studio room or TV station;
- The light output can reach to 200W fully.

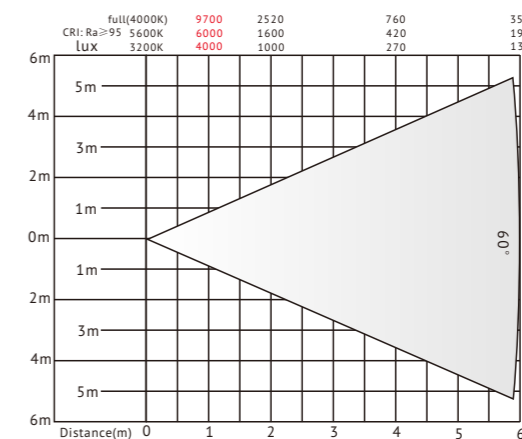
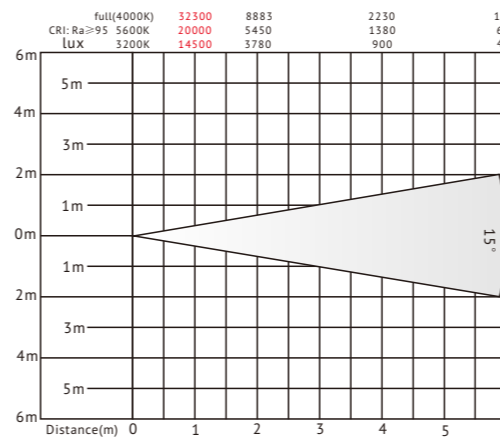


Product details

Product model	VG-CB400W-C
Light sources	200W+200W bi-color LED
Input power	AC100-240V, 50/60Hz
Power	250W
CRI	Ra≥95, or Ra≥97
Color temp	3200K-5600K(Keep 200W)
Dimmer	0-100% linear dimmer
Control panel	TFT display + 2 rotary knobs
DMX channel	4CH, 5CH
Beam angle	15-60degree, manual zoom
Cooling system	Copper tube convector+mute fan
Control mode	DMX512/Demo/Manual
IP rating	IP 20
Accessories	Barn doors, power cable, signal cable
Net weight	7kg
Body size	441*321*266mm

VG-CB400W-C DMX Channel					
5CH	1	2	3	4	5
%	General Dimmer	Fixed Color Temp	WW Dimmer	CW Dimmer	Strobe
100% 255					
0%					strobe close

Product model	VG-CB400W-C-D
Light sources	200W+200W bi-color LED
Input power	AC100-240V, 50/60Hz
Power	250W
CRI	Ra≥95, or Ra≥97
Color temp	3200K-5600K(Keep 200W)
Dimmer	0-100% linear dimmer
Control panel	TFT display + 2 rotary knobs
DMX channel	5CH, 6CH
Beam angle	15-60degree, manual zoom
Cooling system	Copper tube convector+mute fan
Control mode	DMX512/Demo/Manual
IP rating	IP 20
Accessories	Barn doors, power cable, signal cable
Net weight	7kg
Body size	441*321*266mm

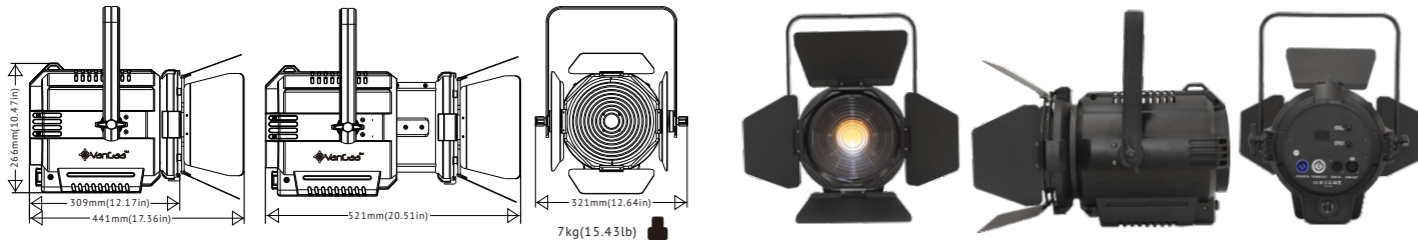


VG-CB400W-C-D DMX Channel						
6CH	1	2	3	4	5	6
%	General Dimmer	Fixed Color Temp	WW Dimmer	CW Dimmer	Strobe	Zoom
100% 255						Range 15°-60°
0%					strobe close	

WW/ CW LED Fresnel Spot Light

Features

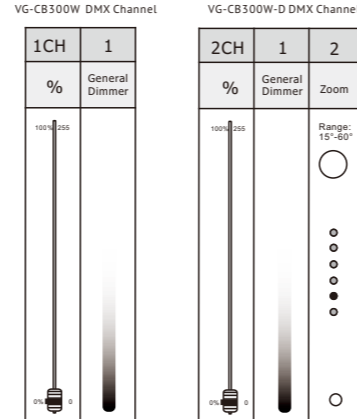
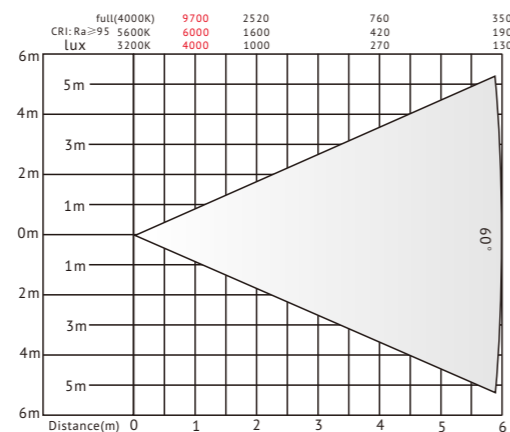
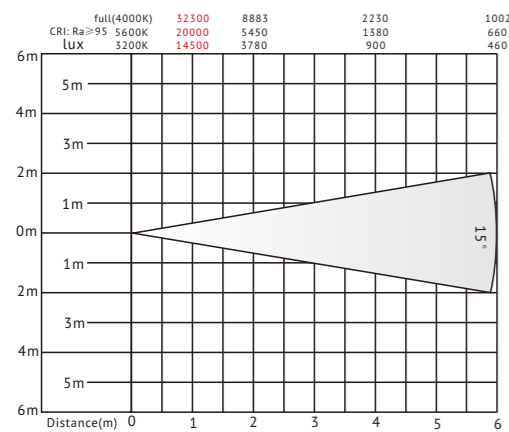
- The internal adopts full copper radiator large area, good heat dissipation, ensure the lifespan of the LED Lamps;
- Through efficient optical lenses, with special heat dissipation design, make the light is downy, small stray light, no glare, eyes more comfortable;
- Use the LED video projector scheme, the light energy saving 80%;
- Because of almost no infrared radiation, it has greatly improve work environment;
- High CRI and very fine flood spot light which is very suitable for studio room or TV station;
- The light output can reach to 300W fully.



Product details

Product model	VG-CB300W/VG-CB200W/VG-CB100W
Light sources	300W/200W/100W WW/CW LED
Input power	AC100-240V, 50/60Hz
Power	350W/250W/150W
CRI	Ra≥95, or Ra≥97
Color temp	3200K-5600K
Dimmer	0-100% linear dimmer
Control panel	TFT display + 2 rotary knobs
DMX channel	1CH
Beam angle	15-60degree, manual zoom
Cooling system	Copper tube convector+mute fan
Control mode	DMX512/Demo/Manual
IP rating	IP 20
Accessories	Barn doors, power cable, signal cable
Net weight	7kg
Body size	441*321*266mm

Product model	VG-CB300W-D/VG-CB200W-D/VG-CB100W-D
Light sources	300W/200W/100W WW/CW LED
Input power	AC100-240V, 50/60Hz
Power	350W/250W/150W
CRI	Ra≥95, or Ra≥97
Color temp	3200K/5600K
Dimmer	0-100% linear dimmer
Control panel	TFT display + 2 rotary knobs
DMX channel	2CH
Beam angle	15-60degree, manual zoom
Cooling system	Copper tube convector+mute fan
Control mode	DMX512/Demo/Manual
IP rating	IP 20
Accessories	Barn doors, power cable, signal cable
Net weight	7kg
Body size	441*321*266mm



Bi color LED Fresnel Spot Light

Features

- The internal adopts full copper radiator large area, good heat dissipation, ensure the lifespan of the LED Lamps;
- Through efficient optical lenses, with special heat dissipation design, make the light is downy, small stray light, no glare, eyes more comfortable;
- Use the LED video projector scheme, the light energy saving 80%;
- Because of almost no infrared radiation, it has greatly improve work environment.

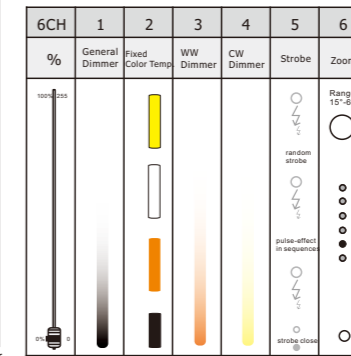
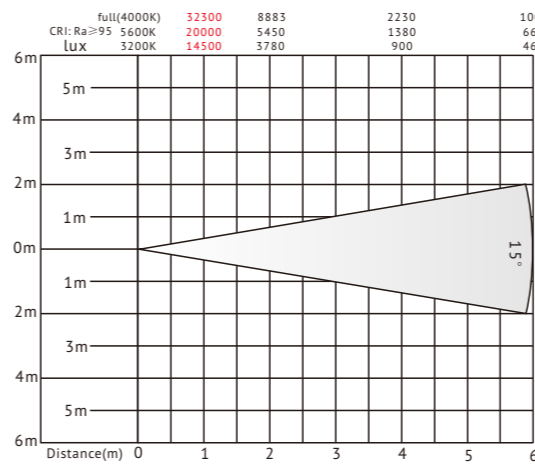
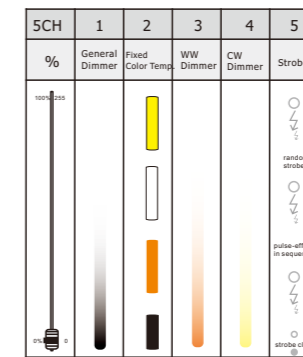


Product details

Product model	VG-PB400W-C
Light sources	200W+200Wbi-colorhighCRICOBLEDLamp
Input power	AC100-240V, 50/60Hz
Power	250W
CRI	Ra≥95, or Ra≥97
Color temp	3200K-5600K(Keep 200W)
Dimmer	0-100% linear dimmer
Control panel	TFT display + 2 rotary knobs
DMX channel	5CH
Beam angle	15-60degree, manual zoom
Cooling system	Copper tube convector, mute fan
Control mode	DMX512/Demo/Manual
IP rating	IP 20
Accessories	Barndoor, power cable, signal cable
Net weight	7.5kg
Body size	455*265*292mm



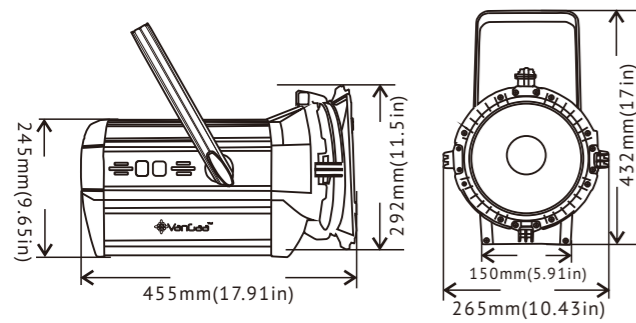
Product model	VG-PB400W-C-D
Light sources	200W+200Wbi-colorhighCRICOBLEDLamp
Input power	AC100-240V, 50/60Hz
Power	250W
CRI	Ra≥95, or Ra≥97
Color temp	3200K-5600K every color 200W
Dimmer	0-100% linear dimmer
Control panel	TFT display + 2 rotary knobs
DMX channel	6CH
Beam angle	15-60degree, manual zoom
Cooling system	Copper tube convector, mute fan
Control mode	DMX512/Demo/Manual
IP rating	IP 20
Accessories	Barndoor, power cable, signal cable
Net weight	7.5kg
Body size	455*265*292mm



Manual Zoom LED Fresnel Spot Light

Features

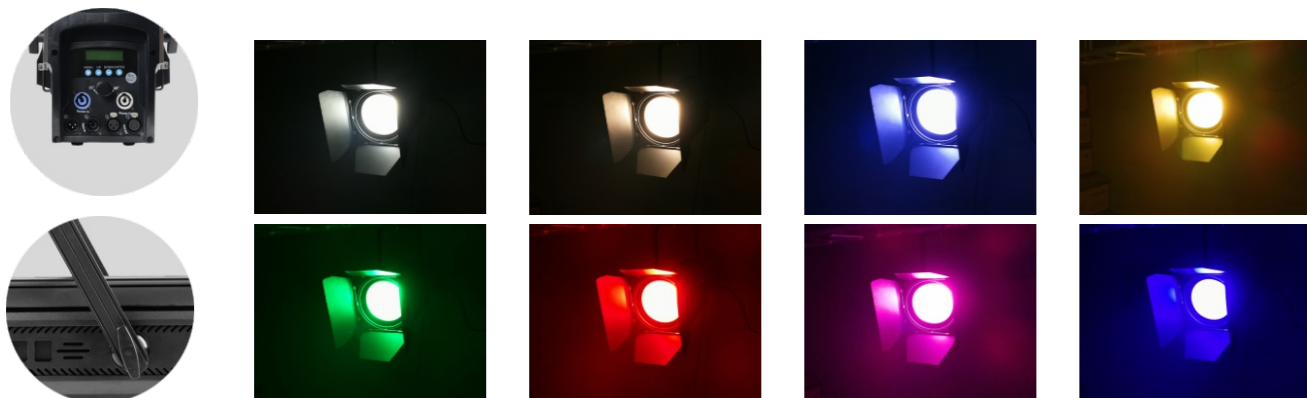
- The internal adopts full copper radiator large area, good heat dissipation, ensure the lifespan of the LED Lamps;
- Through efficient optical lenses, with special heat dissipation design, make the light is downy, small stray light, no glare, eyes more comfortable;
- Use the LED video projector scheme, the light energy saving 80%;
- Because of almost no infrared radiation, it has greatly improve work environment.



Product details

Product model	VG-PB200D
Light sources	200W RGBW 4in1 COB LED Lamp
Input power	AC100-240V, 50/60Hz
Power	220W
CRI	/
Color	RGBW 4in1 color mixing
Dimmer	0-100% linear dimmer
Control panel	LCD display+4 buttons
DMX channel	9CH
Beam angle	15-60degree, manual zoom
Cooling system	Copper tube convector+mute fan
Control mode	DMX512/Demo/Manual
IP rating	IP 20
Accessories	Barn doors, power cable, signal cable
Net weight	8kg
Body size	455*265*292mm

9CH	1	2	3	4	5	6	7	8	9
%	General dimmer	Red dimmer	Green dimmer	Blue dimmer	White dimmer	Strobe	Preset color	Macro function	Speed
100% 255	0% 0					random strobe	Macro	Skip/slip Speed	Max
						strobe close			Min



LED PROFILE SPOT LIGHT SERIES

- High light efficiency, good color rendering, low glare value;
- Long lifespan, energy conservation, environmental protection;
- Linear dimmer by DMX signal, smoothly 0-100%;



60W Mini Zoom Ellipsoidal LED Profile Spot Light

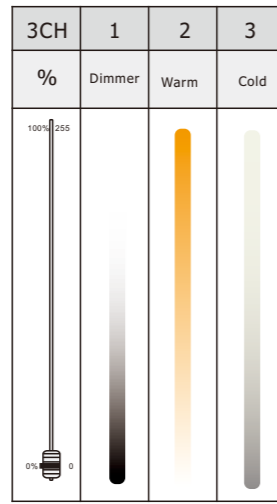
Features

- 60W high power led profile spot light;
- Different degree and color temperature optional;
- Mini led spot profile, light weight, small light body;
- Brightness for the short distance light output.
- Electronic Dimmer: 0-100% linear dimmer;
- PWM Dimming Frequency Adjust: (1200Hz ~ 20000hz)

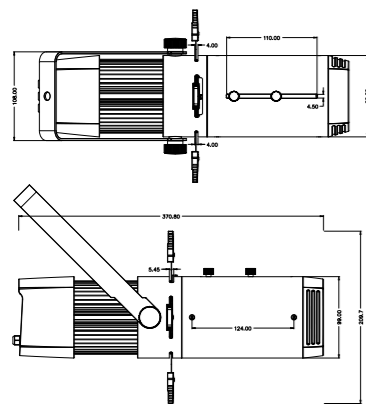
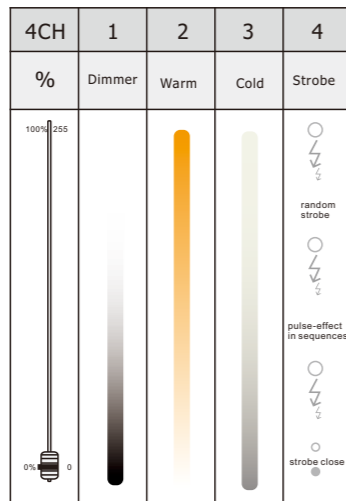


Product details

Product model	Leko 60Z-L
Light sources	50W+50W LED beads
Input power	AC100-240V,50/60Hz
Rated power	60W
Light source lifespan	50000 hours
Color	2500K-6500K optional
Dimmer	0-100% linear dimmer
Control panel	Digital display screen+4 buttons
DMX channel	3CH, 4CH
Beam angle	25-50 degrees optional
Cooling system	No fan for natural heat dissipation
Control mode	DMX512 control/manual mode
Housing materials	aluminum alloy
Usage temperature	-25 °C to+45 °C
Net weight	2.8kg
Body size	D370*W140*H99mm



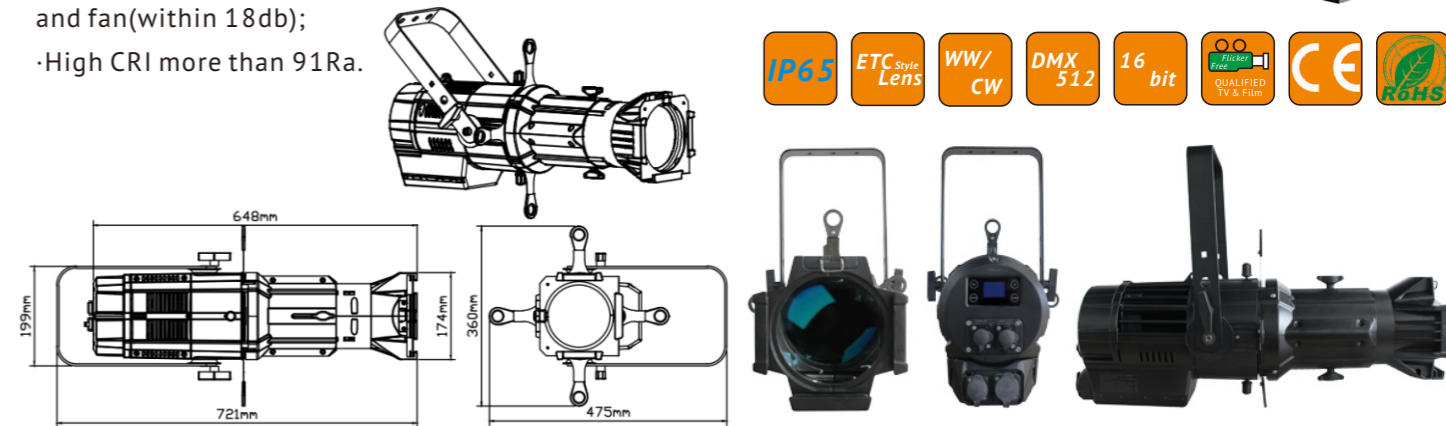
Product model	Leko 60Z-S
Light sources	50W+50W LED beads
Input power	AC100-240V,50/60Hz
Rated power	60W
Light source lifespan	50000 hours
Color	2500K-6500K optional
Dimmer	0-100% linear dimmer
Control panel	Digital display screen+4 buttons
DMX channel	1CH, 2CH
Beam angle	15-25 degrees
Cooling system	No fan for natural heat dissipation
Control mode	DMX512 control/manual mode
Housing materials	aluminum alloy
Usage temperature	-25 °C to+45 °C
Net weight	2.8kg
Body size	D370*W140*H99mm



250W Outdoor LED Ellipsoidal Spot Leko Light

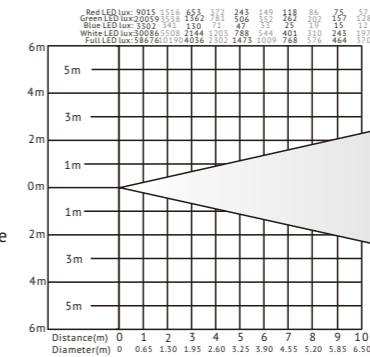
Features

- High light efficiency, good color rendering, low glare value;
- Long lifespan, energy conservation, environmental protection;
- Linear dimmer by DMX signal, smoothly 0-100%;
- Silent, owns good cooling system by copper radiation and fan(within 18db);
- High CRI more than 91Ra.

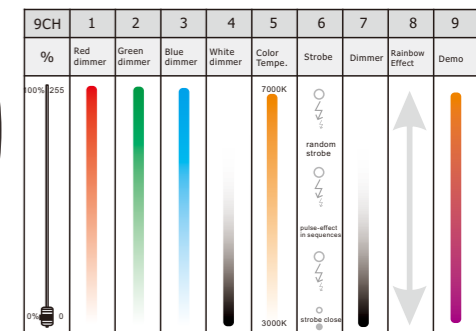
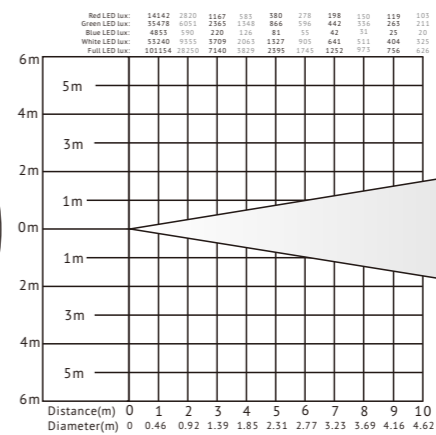
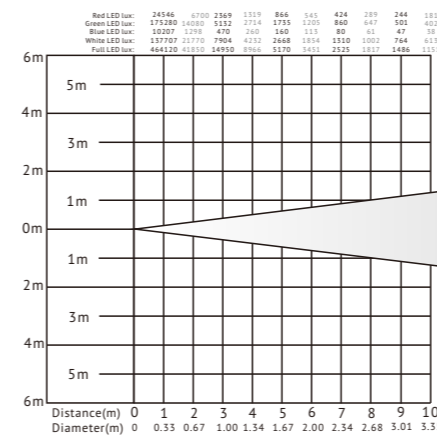


Specification

Product model	IP-LVF250C
Light sources	1pc400W4in1COBLEDLamp
Input power	AC100-240V,50/60Hz
Power	280W
CRI	Ra>=90
Color temperature	2700K-6500K
Dimmer	0-100% linear dimmer
Control panel	LCD display+4 buttons
DMX channel	9CH
Beam angle	19/26/36/50degree optional
Cooling system	Coppertubeconvector+mute fan
Control mode	DMX512/RDM/Demo/Manual
Housing materials	die-casting aluminum
Accessories	Goboclip,powercable,signalcable
Net weight	10kg
Body size	D721*W360*H475mm



Product model	IP-LVF250A
Light sources	1pc400W3200K/5600KCOBLEDLamp
Input power	AC100-240V,50/60Hz
Power	280W
CRI	Ra>=97
Color temperature	3200K/5600K
Dimmer	0-100% linear dimmer
Control panel	LCD display+4 buttons
DMX channel	2CH
Beam angle	19/26/36/50degree optional
Cooling system	Copper tube convector +mute fan
Control mode	DMX512/RDM/Demo/Manual
Housing materials	die-casting aluminum
Accessories	Gobo clip, power cable, signal cable
Net weight	10kg
Body size	D721*W360*H475mm



IP65 350W LED Ellipsoidal Spo Leko Light

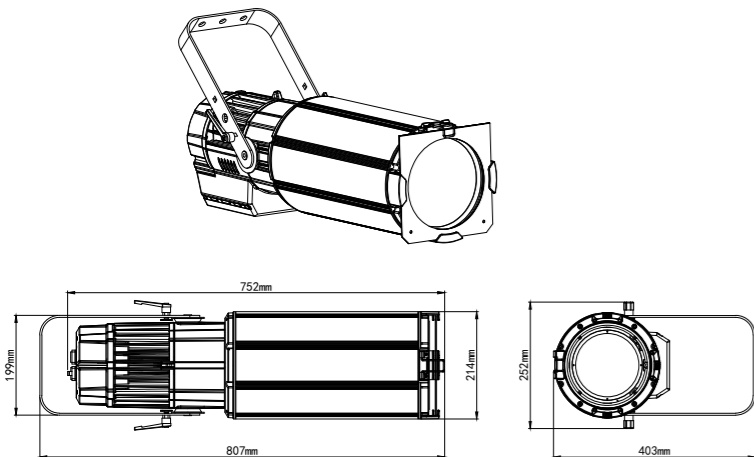
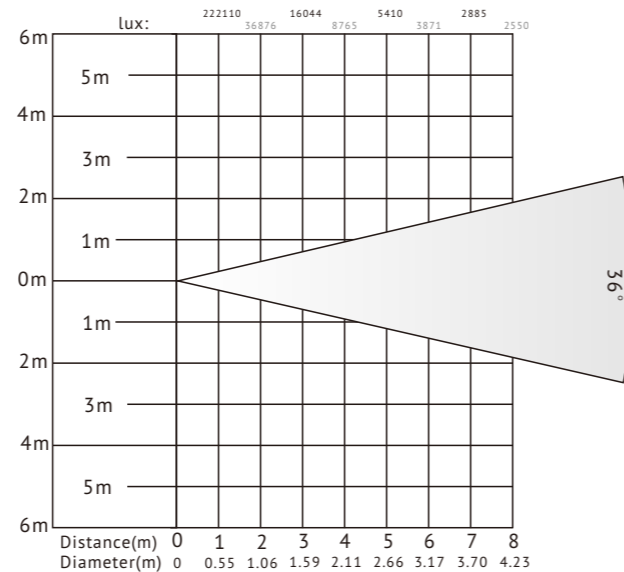
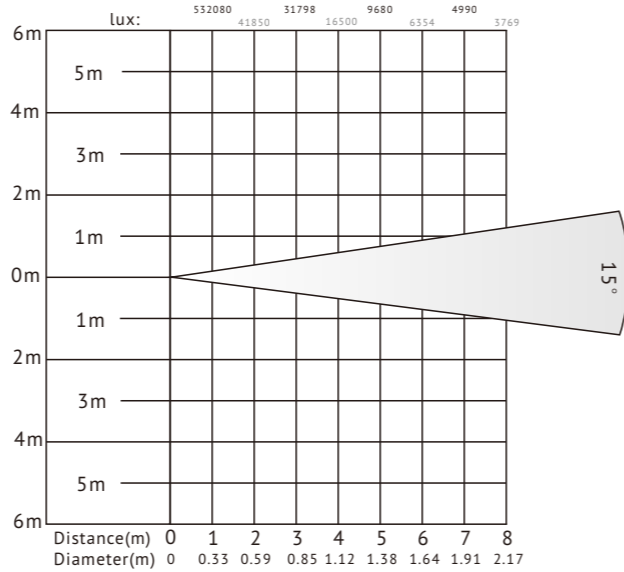
Features

- High light efficiency, good color rendering, low glare value;
- Long lifespan, energy conservation, environmental protection;
- Linear dimmer by DMX signal, smoothly 0-100%;
- Silent, owns good cooling system by copper radiation and fan(within 18db);
- High CRI more than 91Ra.



Specification

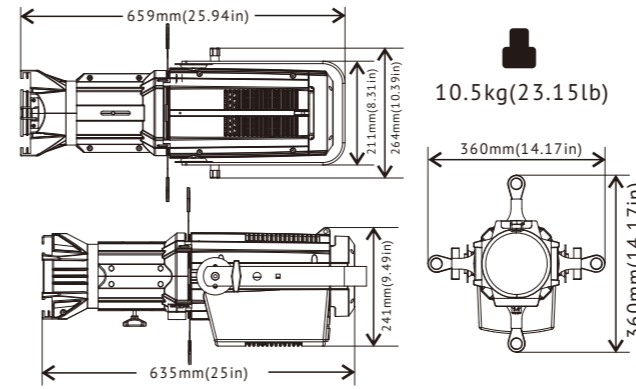
Product model	IP-LVF350Z-B
Light sources	1pc 400W COB LED Lamp
Input power	AC100-240V,50/60Hz
Power	380W
CRI	Ra≥90
Color temperature	3000K-7000K
Dimmer	0-100% linear dimmer
Control panel	LCD display+4 buttons
DMX channel	17CH
Beam angle	15-30degree
Cooling system	Copper tube convector+mute fan
Control mode	DMX512/Demo/Manual
Housing materials	die-casting aluminum
Accessories	Gobo clip, power cable, signal cable
Net weight	14.5kg
Body size	D740*W315*H320mm



6 Colors LED Ellipsoidal Spotlight

Features

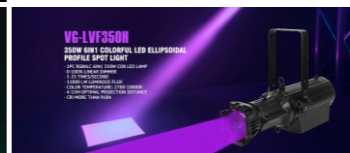
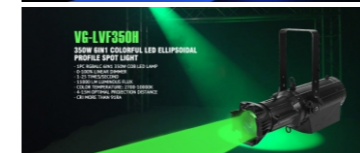
- High light efficiency, good color rendering, low glare value;
- Long lifespan, energy conservation, environmental protection;
- Linear dimmer by DMX signal, smoothly 0-100%;
- Silent, owns good cooling system by copper radiation and fan (within 18db);
- High CRI more than 91Ra.



Product details

Product model	VG-LVF350H
Light sources	1pc RGBALC 6in1 350W COB LED Lamp
Input power	AC100-240V,50/60Hz
Power	350W
CRI	Ra≥91
Color temperature	2700-10000K CCT
Dimmer	0-100% linear dimmer
Control panel	LCD display+4 buttons
DMX channel	10CH
Beam angle	19/26/36/50degree optional
Cooling system	Copper tube convector
Control mode	DMX512/Demo/Manual
Housing materials	die-casting aluminum
Accessories	Gobo clip, power cable, signal cable
Net weight	10.5kg
Body size	D770*W330*H340mm

10CH	1	2	3	4	5	6	7	8	9	10
%	Red dimmer	Green dimmer	Blue dimmer	Lime dimmer	Amber dimmer	Cyan dimmer	Color Tempe.	General dimmer	Strobe	Demo
100% 255	0% 0	10000K	2700K	random strobe	pulse-effect in sequences	strobe close				

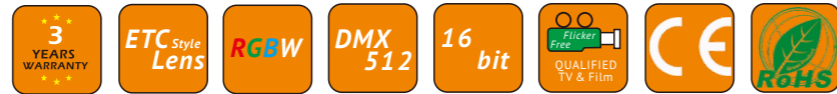
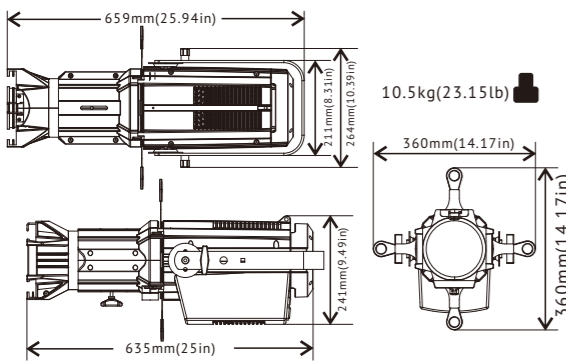


Adjust by color management system

300W LED Ellipsoidal Spot LEKO Light

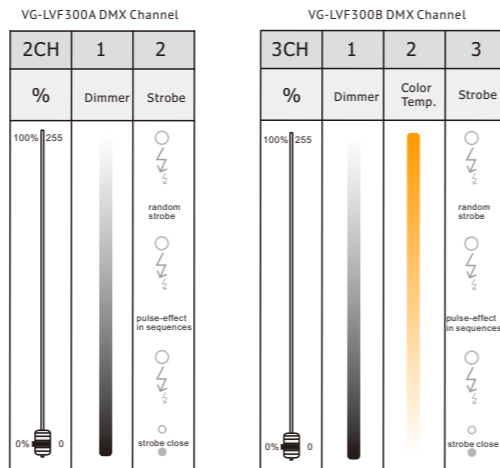
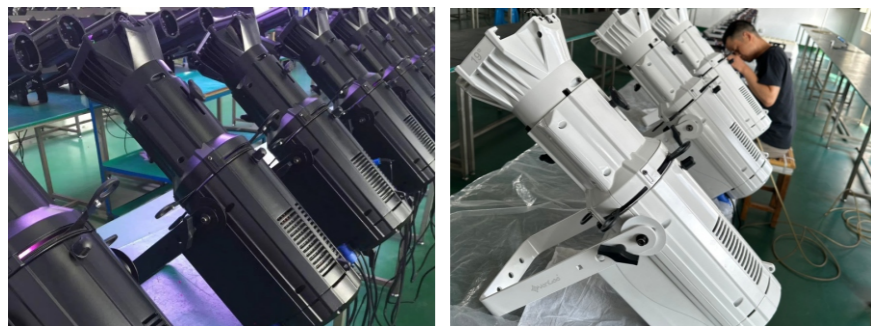
Features

- High light efficiency, good color rendering, low glare value;
- Long lifespan, energy conservation, environmental protection;
- Linear dimmer by DMX signal, smoothly 0-100%;
- Silent, owns good cooling system by copper radiation and fan(within 18db);
- High CRI more than 92Ra.



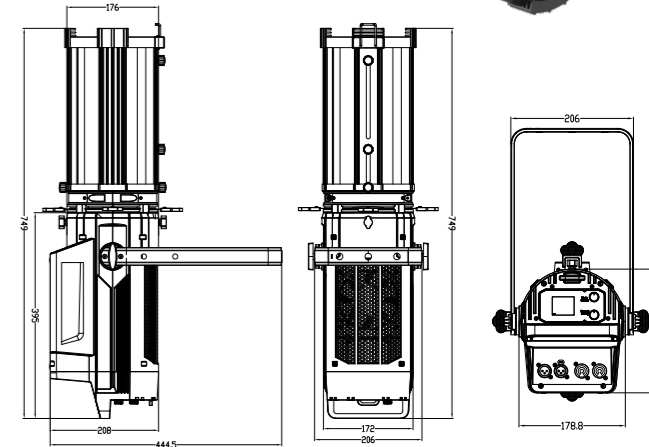
Specification

Product model	VG-LVF300A	VG-LVF300B	VG-LVF300C
Light sources	High CRI 300W COB LED	High CRI 300W COB LED	High CRI 300W COB LED
Input power	AC100-240V, 50/60Hz	AC100-240V, 50/60Hz	AC100-240V, 50/60Hz
Power	350W	350W	350W
CRI	Ra≥92	Ra≥92	/
Color	3200K/5600K optional	2700-6500K adjustable	RGBW 4in1
Dimmer	0-100% linear dimmer	0-100% linear dimmer	0-100% linear dimmer
Control panel	LCD display+4 buttons	LCD display+4 buttons	LCD display+4 buttons
DMX channel	2CH	3CH	9CH
Beam angle	19/26/36/50 degree optional	19/26/36/50 degree optional	19/26/36/50 degree optional
Cooling system	Copper tube convector	Copper tube convector	Copper tube convector
Control mode	DMX512/Demo/Manual	DMX512/Demo/Manual	DMX512/Demo/Manual
IP rating	IP 20	IP 20	IP 20
Accessories	Gobo clip, power cable, signal cable	Gobo clip, power cable, signal cable	Gobo clip, power cable, signal cable
Net weight	10.5kg	10.5kg	10.5kg
Body size	D757*W360*H536mm	D757*W360*H536mm	D757*W360*H536mm



5in1/6in1 Zoom LED Profile Spot Light

Product model	VG-LSF400Z-G/VG-LSF400Z-H
Light sources	1pc 500W RGBAL 5in1/600W RGBALC 6in1 LED lamp
Input power	AC100-240V, 50/60Hz
Related power	450W(Full)
Color	RGBAL 5in1/RGBALC 6in1 color mixing
Color temperature	1800K-10000K
Dimmer	0-100% linear dimmer
Control panel	LCD display, 4 buttons
DMX channel	7CH, 4CH, 3CH/8CH, 4CH, 3CH
Beam angle	17-50 degree(manual adjustable)
Cooling system	Fan and heat radiator
Control mode	DMX-512; RDM; Demo; Master/slave
Housing materials	aluminum alloy
Accessories	Gobo clip, power cable, signal cable
Net weight	13.5kg
Body size	D648*W340*H260mm



400W Colorful LED Fixed Lens Profile Spot Light



Product model	VG-LSF400G/VG-LSF400H
Light sources	1pc 500W RGBAL/600W RGBALC COB LED Lamp
Input power	AC100-240V, 50/60Hz
Related power	450W(Full)
Color	RGBAL/RGBALC color mixing
Luminous flux	25200 Lm
Dimmer	0-100% linear dimmer
Control panel	digital LCD display
DMX channel	7CH, 4CH, 3CH/8CH, 4CH, 3CH
Beam angle	19degree(26degree/36degree/50degree optional), fixed lens
Cooling system	Copper radiation and Fan
Control mode	DMX-512; RDM; Color Correction; Demo; Master/slave; 4 selectable dimming curves
Housing materials	die-casting aluminum
Accessories	Gobo clip, power cable, signal cable
Net weight	10kg
Body size	D589*W302*H270mm



250W LED Ellipsoidal Spot Leko Light



Product model	VG-LVF265W
Light sources	1pc 250W COB LED Lamp
Input power	AC100-240V,50/60Hz
Power	280W
CRI	Ra>90
Color temperature	3200K/5600K
Dimmer	0-100% linear dimmer
Control panel	LCD display+4 buttons
DMX channel	1CH
Beam angle	19/26/36/50degree optional
Cooling system	Copper tube convactor
Control mode	DMX512/Demo/Manual
Housing materials	die-casting aluminum
Accessories	Gobo clip, power cable, signal cable
Net weight	10kg
Body size	D740*W285*H320mm



150W LED Ellipsoidal Spot Leko Light



Product model	VG-LVF165W
Light sources	1pc 250W COB LED Lamp
Input power	AC100-240V,50/60Hz
Power	165W
CRI	Ra>90
Color temperature	3200K/5600K
Dimmer	0-100% linear dimmer
Control panel	LCD display+4 buttons
DMX channel	1CH
Beam angle	19/26/36/50degree optional
Cooling system	Copper tube convactor
Control mode	DMX512/Demo/Manual
Housing materials	die-casting aluminum
Accessories	Gobo clip, power cable, signal cable
Net weight	10kg
Body size	D740*W285*H320mm

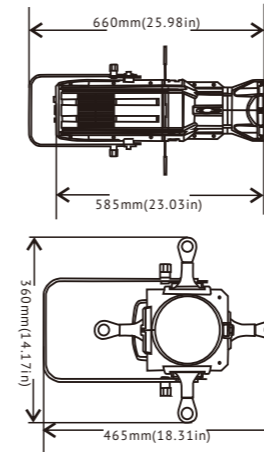


ABS Housing LED Ellipsoidal Spot Light



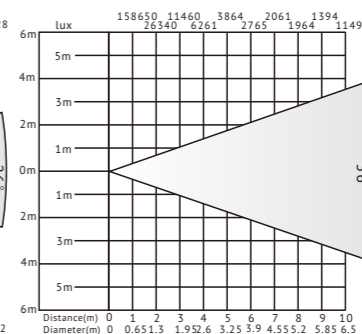
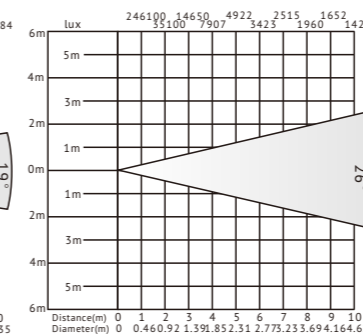
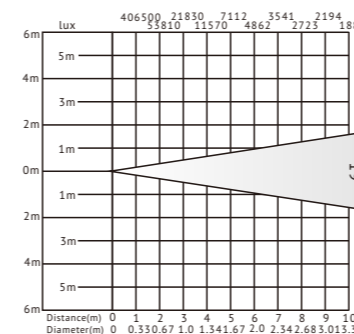
Features

- High light efficiency, good color rendering, low glare value;
- Long lifespan, energy conservation, environmental protection;
- Linear dimmer by DMX signal, smoothly 0-100%;
- Silent, owns good cooling system by copper radiation and fan(within 18db);
- High CRI more than 95Ra.



Product details

Product model	VG-LVF200A	VG-LVF200B	VG-LVF200C
Light sources	High CRI 200W COB LED	High CRI 200W COB LED	High CRI 200W COB LED
Input power	AC100-240V,50/60Hz	AC100-240V,50/60Hz	AC100-240V,50/60Hz
Power	250W	250W	250W
CRI	Ra>85/Ra>95 optional	Ra>85/Ra>95 optional	Ra>85/Ra>95 optional
Color	3200K/5600K optional	3000-6700K adjustable	RGBW 4in1
Dimmer	0-100% linear dimmer	0-100% linear dimmer	0-100% linear dimmer
Control panel	LCD display+4 buttons	LCD display+4 buttons	LCD display+4 buttons
DMX channel	2CH	3CH	9CH
Beam angle	19/26/36/50 degree optional	19/26/36/50 degree optional	19/26/36/50 degree optional
Cooling system	Copper tube convactor	Copper tube convactor	Copper tube convactor
Control mode	DMX512/Demo/Manual	DMX512/Demo/Manual	DMX512/Demo/Manual
IP rating	IP 20	IP 20	IP 20
Accessories	Gobo clip, power cable, signal cable	Gobo clip, power cable, signal cable	Gobo clip, power cable, signal cable
Net weight	6.4kg	6.4kg	6.4kg
Body size	660*360*465mm	660*360*465mm	660*360*465mm



VG-LVF200A DMX Channel		VG-LVF200B DMX Channel				
2CH	1	2	3CH	1	2	3
%	Dimmer	Strobe	%	Dimmer	Color Temp.	Strobe
100%±5%	random strobe	random strobe	100%±5%	random strobe	random strobe	random strobe
strobe close	strobe close	strobe close	strobe close	strobe close	strobe close	strobe close

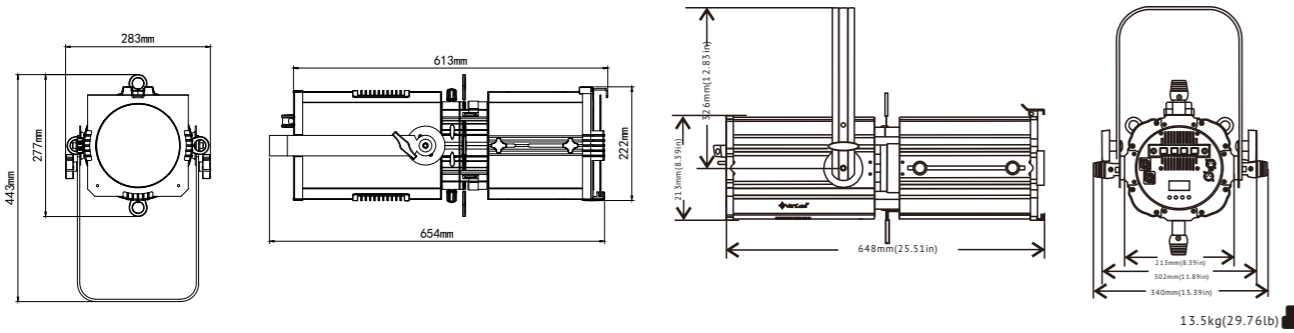
350W 6in1 Zoom LED Profile Leko Light

Features

- Using DMX signal to realize the linear dimmer, more convenience.
- Silent equipment, it has good cooling system by all copper radiator and fan(intellectual regulation, noise controlled within 18db);
- Saving energy and protecting environment, pure color temperature
- It is a very suitable substitute of the traditional 750 profile light;
- Smooth manual adjust the zoom of the lens degree.



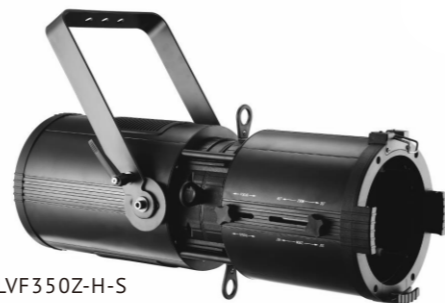
VG-LVF350Z-H-L



Product details

Product model	VG-LVF350Z-H-S
Light sources	LED: 1pc 350W RGBWLA LED lamp
Input power	AC100-240V,50/60Hz
Power	380W
CRI	Average Ra≥92
Color	2700-7500k optional
Dimmer	0-100% linear dimmer
Control panel	LCD display + 4 buttons
DMX channel	10CH
Beam angle	20-45 degree(manual adjustable)
Cooling system	Fan and heat radiator
Control mode	DMX-512; Demo; Master/slave
Housing materials	die casting aluminum+aluminium section
Accessories	Gobo clip, power cable, signal cable
Net weight	11kg
Body size	D600*W270*H390mm

Product model	VG-LVF350Z-H-L
Light sources	1pc 350W RGBWLA LED lamp
Input power	AC100-240V,50/60Hz
Power	380W
CRI	Average Ra≥92
Color	2700-7500K CCT
Dimmer	0-100% linear dimmer
Control panel	LCD display + 4 buttons
DMX channel	10CH
Beam angle	15-28degree
Cooling system	Fan and heat radiator
Control mode	DMX512/Demo/Manual
Housing materials	die casting aluminum+aluminium section
Accessories	Gobo clip, power cable, signal cable
Net weight	11kg
Body size	D745*W276*H277mm



VG-LVF350Z-H-S

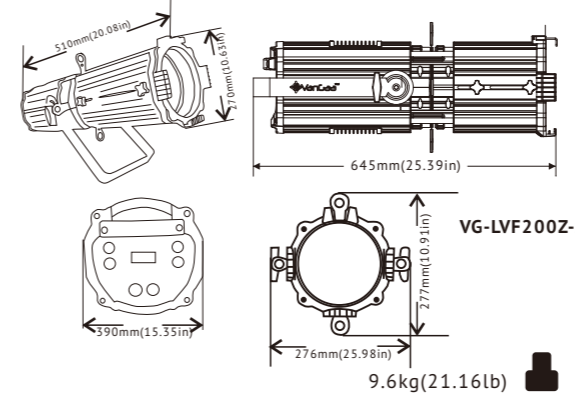


10CH	1	2	3	4	5	6	7	8	9	10
%	Red dimmer	Green dimmer	Blue dimmer	White dimmer	Lime dimmer	Amber dimmer	Dimmer	Strobe	CCT	Performance
100%	255								7500K	255
0%	0								2700K	0

Zoom Lens LED Ellipsoidal Spot Light

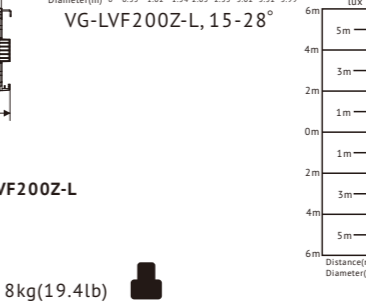
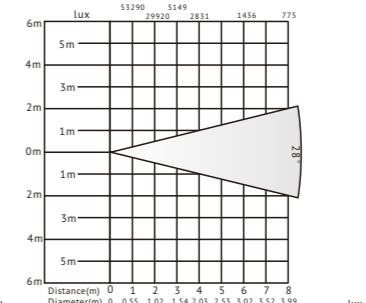
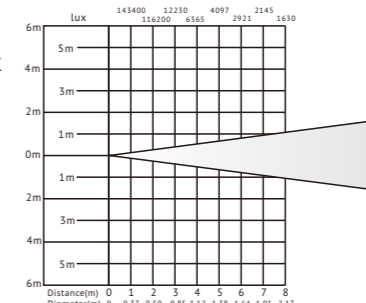
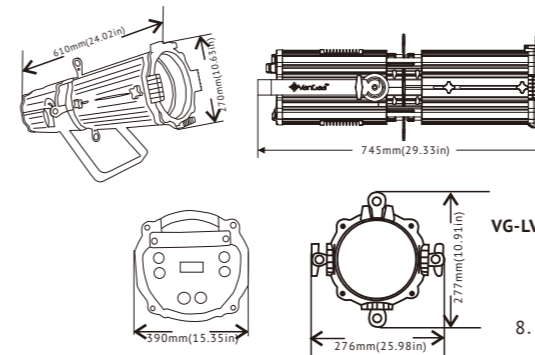
Features

- Using DMX signal to realize the linear dimmer, more convenience.
- Silent equipment, it has good cooling system by all copper radiator and fan(intellectual regulation, noise controlled within 18db);
- Saving energy and protecting environment, pure color temperature;
- It is a very suitable substitute of the traditional 750 profile light;
- Smooth manual adjust the zoom of the lens degree.



Product details

Product model	VG-LVF200Z-S, 20-45°
Light sources	High CRI 200W COB LED, 3200/5600K
Input power	AC100-240V,50/60Hz
Power	250W
CRI	Ra≥95
Color	3200K/5600K optional
Dimmer	0-100% linear dimmer
Control panel	LCD display+4 buttons
DMX channel	2CH
Beam angle	20-45degree
Cooling system	Copper tube convector and mute fan
Control mode	DMX512/Demo/Manual
Housing materials	die-casting aluminum
Accessories	Gobo clip, power cable, signal cable
Net weight	8.5kg
Body size	D645*W277*H276mm



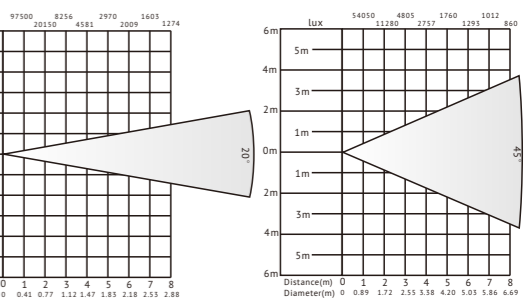
Product model	VG-LVF200Z-L, 15-28°
Light sources	HighCRI200WCOBLED,3200/5600K
Input power	AC100-240V,50/60Hz
Power	250W
CRI	Ra≥95
Color	3200K/5600K optional
Dimmer	0-100% linear dimmer
Control panel	LCD display+4 buttons
DMX channel	2CH
Beam angle	15-28degree
Cooling system	Copper tube convector and mute fan
Control mode	DMX512/Demo/Manual
Housing materials	die-casting aluminum
Accessories	Gobo clip, power cable, signal cable
Net weight	8.8kg
Body size	D745*W277*H276mm



VG-LVF200Z-S, 20-45°



VG-LVF200Z-L, 15-28°



VG-LVF200Z-S, 20-45°

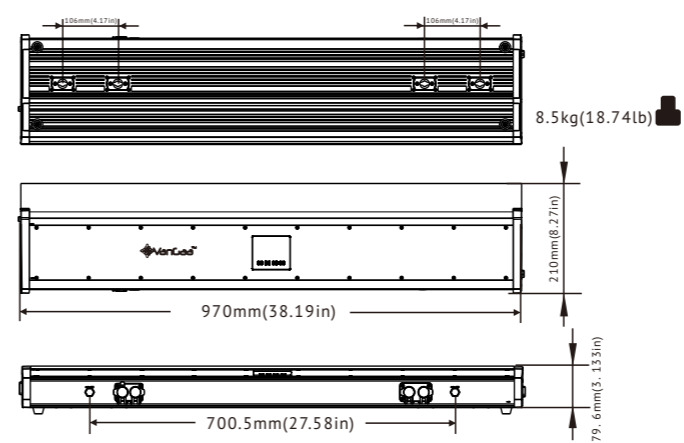


LED CYCLORAMA LIGHT SERIES

The LED Cyclorama Light is a high-performance lighting solution. It offers uniform illumination, adjustable color temperature, and energy-efficient operation. Ideal for stages, studios, and large-scale events, it creates stunning visual effects.



VG-LB1688



NEW



Product details

- Product model** VG-LB1688
- Light sources** 168pcs 3.5W imported PHILIPS LEDs (Red: 28pcs; Green: 28 pcs, Magenta: 27pcs; Cyan: 28pcs; Amber: 28pcs; Lemon green: 28pcs)
- Input power** AC100-240V, 50/60Hz
- Related power** 350W
- CRI** >95Ra(for white)
- Color temp** 2700K-10000K
- Dimmer** 0-100% linear dimmer
- Control panel** 4 buttons + LCD display
- DMX channel** 8CH, 11CH, 14CH, 21CH, 23CH, 35CH
- Beam angle** Horizontal: 66°(50%), Vertical: 38°(50%)
- Filed angle** Horizontal: 102°(10%), Vertical: 71°(10%)
- Control mode** standard DMX-512; Master/slave; Demo
- IP rating** IP 65
- Accessories** DMX and Power cable
- Net weight** 8.5kg
- Body size** 970*210*80mm

HSIC CH MODE								
8CH	1	2	3	4	5	6	7	8
%	Intensity	Hue	Hue fine	Saturation	CCT	Strobe	Dimmer Curve	Dimmer Speed
100% 255					10000K 2500K			

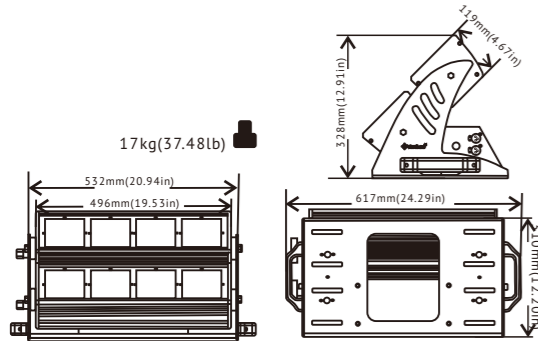
SSP CH MODE											
11CH	1	2	3	4	5	6	7	8	9	10	11
%	Dimmer	Red dimmer	Green dimmer	Blue dimmer	Lemon dimmer	Amber dimmer	Cyan dimmer	Preset Color	Strobe	Dimmer Curve	Dimmer Speed
100% 255											

There are HSIC, SSP, TOUR, TOUR 16, PIXEL.1, PIXEL. 2 options

Color Correction 400W LED Cyclorama Light

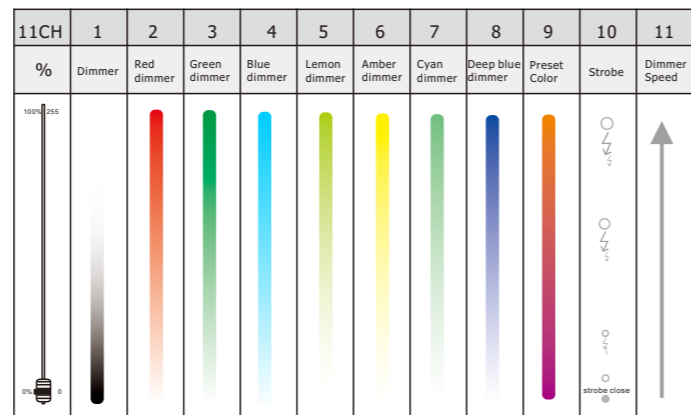
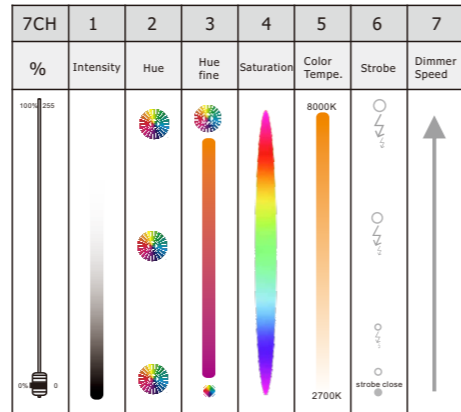
Features

- 7CH/9CH/11CH/15CH/17CH/22CH DMX control channels, digital show control panel;
- DMX512, Sound active, auto-run and master/slave four kinds control mode;
- IP20 protect rating;
- With strobe stage effect;
- Long lifespan high brightness LEDs can reach to 50,000hours;
- High-efficiency, power-saving, low heat.



Product details

Product model	VG-LB2600
Light sources	200pcs seven colors brand led lamps, (R:48; G:32; B:24; Royal blue: 16; Cyan: 16; Amber: 24; Lime green: 40)
Input power	AC100-240V, 50/60Hz
Power	400W
CRI	Ra≥97
Color quality	>90, from 2700K-8000K
Color range	>1670 thousand colors
Color mixing system	HSIC(brightness/hue/saturability/color temperature)
Control panel	LCD display+4 buttons
DMX channel	7CH/9CH/11CH/15CH/17CH/22CH
Cooling system	mute fan
Beam angle	30° for first head, 80° for second head
IP rating	IP 20
Accessories	DMX cable; Power cable
Net weight	15kg
Body size	D617*W310*H328mm



There are HSIC 7CH, SSP 11CH, TOUR 14CH, TOUR 22CH, PIXEL 9CH, PIXEL 17CH options

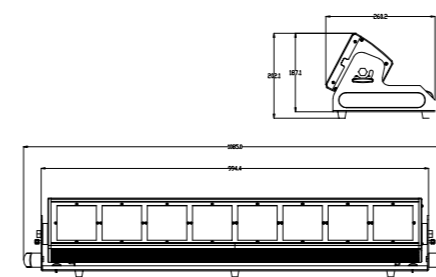


High Power LED 400W Colorful LED Cyclorama Light



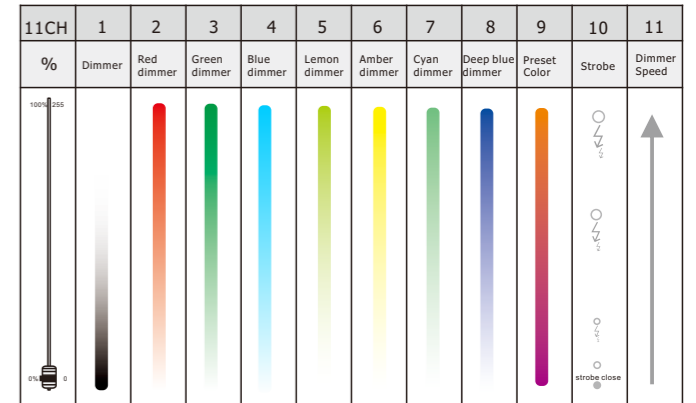
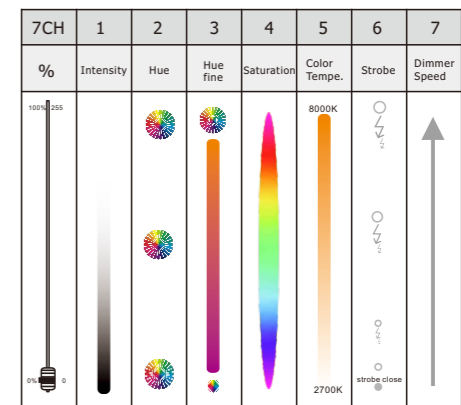
Features

- 7CH/9CH/11CH/15CH/17CH/22CH DMX control channels, digital show control panel;
- DMX512, Sound active, auto-run and master/slave four kinds control mode;
- IP20 protect rating;
- With strobe stage effect;
- Long lifespan high brightness LEDs can reach to 50,000hours;
- High-efficiency, power-saving, low heat.



Product details

Product model	VG-LB2028
Light sources	200pcs seven colors brand led lamps, (R:48; G:32; B:24; Royal blue: 16; Cyan: 16; Amber: 24; Lime green: 40)
Input power	AC100-240V, 50/60Hz
Power	400W
CRI	>90Ra(for white)
Color temp	2700K-8000K
Dimmer	0-100% linear dimmer
Control panel	4 buttons LCD display
DMX channel	7CH/9CH/11CH/15CH/17CH/22CH
Beam angle	30degree(80degree option)
Cooling system	Fan
Control mode	standard DMX-512; Master/slave; Demo
IP rating	IP 20
Accessories	DMX and Power cable
Net weight	16.95kg
Body size	D1085*W283*H210mm

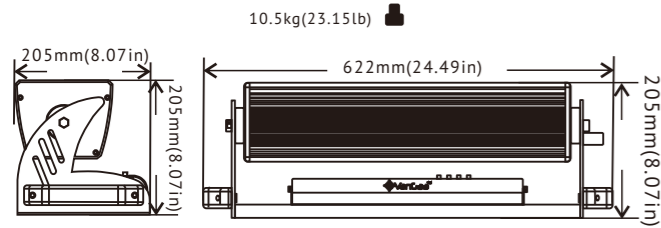


There are HSIC 7CH, SSP 11CH, TOUR 14CH, TOUR 22CH, PIXEL 9CH, PIXEL 17CH options

High Power LED Cyclorama Light

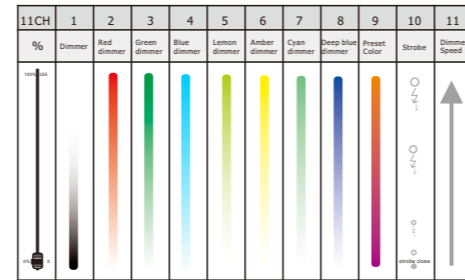
Features

- 7CH/9CH/11CH/15CH/17CH/22CH different DMX control channel modes, digital show control panel;
- DMX512, Sound active, auto-run and master/slave four kinds control mode;
- IP20 protect rating;
- With strobe stage effect;
- Long lifespan high brightness LEDs can reach to 50,000 hours;
- High efficiency, power-saving, low heat.

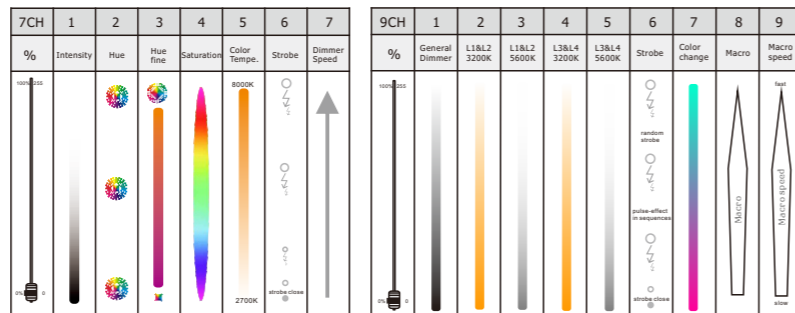


Product details

Product model	VG-LB1300C
Light sources	100pcs seven colors brand led lamps, (R:24; G:18; B:12; Royal blue: 8; Cyan: 8; Amber: 12; Lime green: 20)
Input power	AC100-240V, 50/60Hz
Power	300W
CRI	Ra≥90
Color temp	2700-8000K adjustable
Dimmer	0-100% linear dimmer
Control panel	LCD display+4 buttons
DMX channel	7CH/9CH/11CH/15CH/17CH/22CH
Beam angle	30/25/15 degree
Cooling system	Copper tube convector + mute fan
Control mode	DMX512/Demo/Manual
IP rating	IP 20
Accessories	DMX and Power cable
Net weight	9.5kg
Body size	630*180*260mm



There are HSI 7CH, SSP 11CH, TOUR 14CH, TOUR 22CH, PIXEL 9CH, PIXEL 17CH options



VG-LB1300C DMX Channel Layout

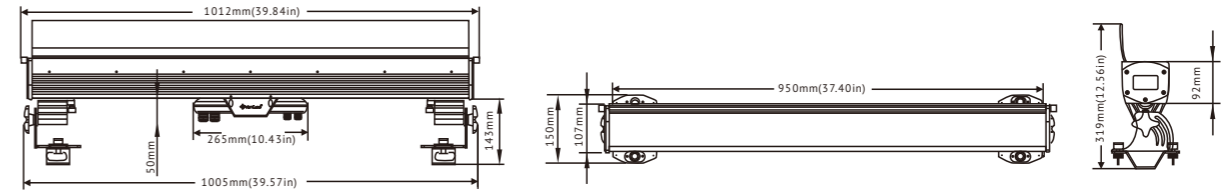
VG-LB1300L DMX Channel Layout



IP65 High Power LED Cyclorama Light

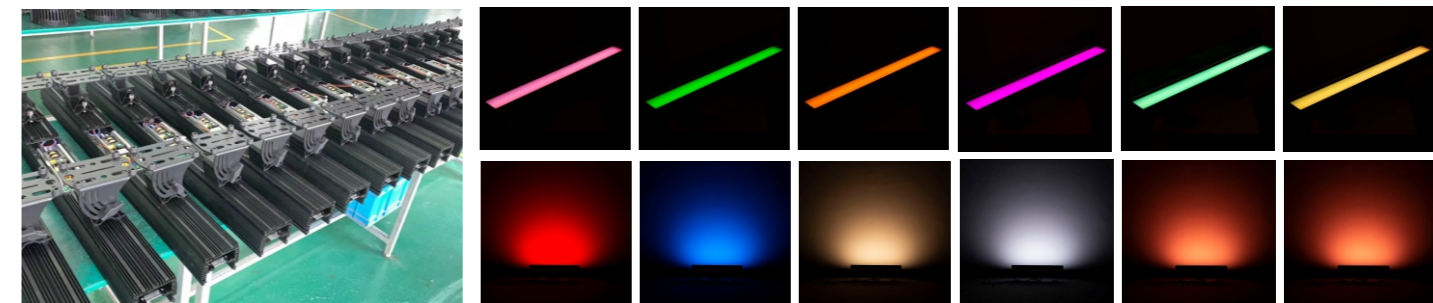
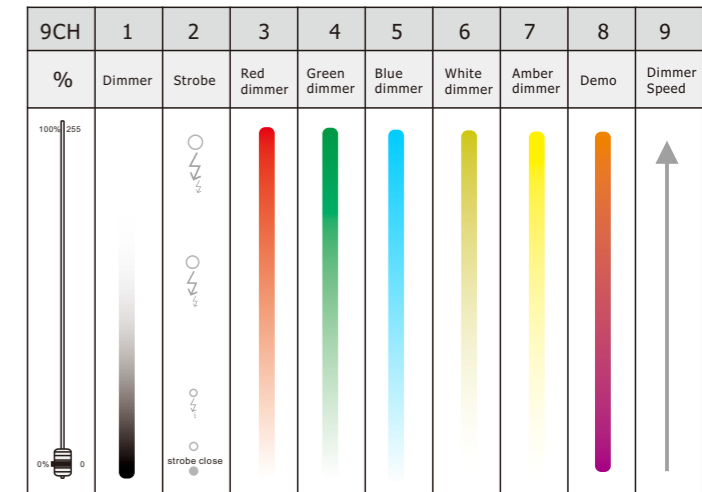
Features

- Small body, beautiful appearance and high quality;
- 2700-6500K color temperature adjustment;
- Very wide and high cyclorama range can reach 5m;
- Brightness and powerful.



Product details

Product model	VG-LB300
Light sources	300W RGBWA LED lamp
Input power	AC100-240V, 50/60Hz
Light output	300W
CRI	Ra≥93
Color	RGBWA 5in1 color mixing
Dimmer	0-100% linear dimmer
Control panel	digital tube display+4 buttons
DMX channel	9CH
Beam angle	120degree
IP rating	IP65
Control mode	DMX512/Demo/Manual/RDM
Housing materials	die-casting aluminum
Accessories	Power cable, signal cable
Net weight	9.5kg
Body size	1012*150*319mm



Color Correction 200W LED Cyclorama Light

NEW



Features

- 7CH/9CH/11CH/15CH/17CH/22CH DMX control channels, digital show control panel;
- DMX512, Sound active, auto-run and master/slave four kinds control mode;
- IP20 protect rating;
- With strobe stage effect;
- Long lifespan high brightness LEDs can reach to 50,000hours;
- High-efficiency, power-saving, low heat.

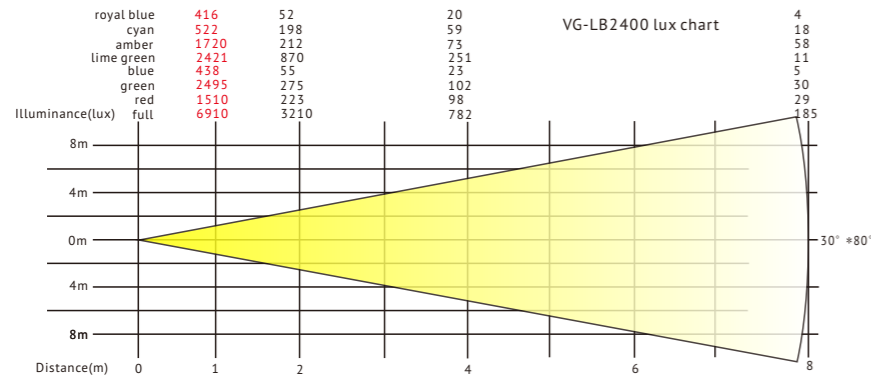


Product details

Product model VG-LB2400
Light sources 100pcs seven colors brand led lamps, (R:24; G:16; B:12; Royal blue: 8; Cyan: 8; Amber: 12; Lime green: 20)
Input power AC100-240V,50/60Hz
Power 200W
CRI Ra≥97
Color quality >90, from 2700K-8000K
Color range >1670 thousand colors
Color mixing system HSIC(brightness/hue/saturability/color temperature)
Control panel LCD display+4 buttons
DMX channel 7CH/9CH/11CH/15CH/17CH/22CH
Cooling system mute fan
Beam angle 30° for first head, 80° for second head
IP rating IP 20
Accessories Barndoor; DMX cable; Power cable
Net weight 7.5kg
Body size D510*W285*H261mm

11CH	1	2	3	4	5	6	7	8	9	10	11
%	Dimmer	Red dimmer	Green dimmer	Blue dimmer	Lemon dimmer	Amber dimmer	Cyan dimmer	Deep blue dimmer	Preset Color	Strobe	Dimmer Speed
100% 0%	0% 100%	0% 100%	0% 100%	0% 100%	0% 100%	0% 100%	0% 100%	0% 100%	0% 100%	0% 100%	0% 100%

7CH	1	2	3	4	5	6	7
%	Intensity	Hue	Hue fine	Saturation	Color Tempe.	Strobe	Dimmer Speed
100% 0%	0% 100%	0% 100%	0% 100%	0% 100%	0% 100%	0% 100%	0% 100%



FOLLOW SPOT LIGHT SERIES

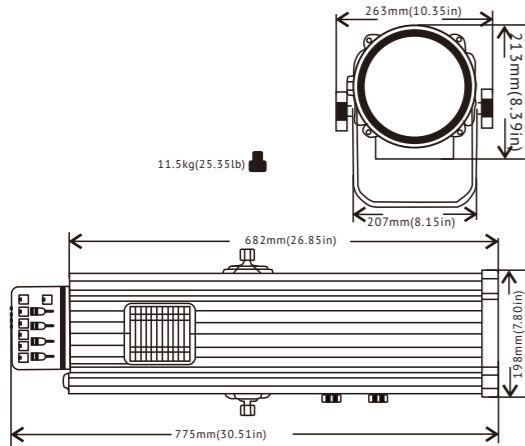
·Through efficient optical lenses, with special heat dissipation design, make the light is downy, small stray light, no glare, eyes more comfortable...



Zoom Changeable 350W LED Follow Spot Light

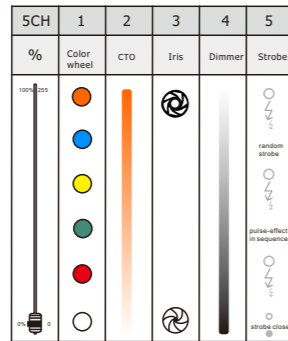
Features

- Powerful and brightness;
- The spot beam can reach 60-100 meters;
- Long lifespan LED lamp, no need replace the lamp often;
- Easy operating and using;
- Equips 350W LED lamp, the brightness is more better than 2000W halogen lamp.

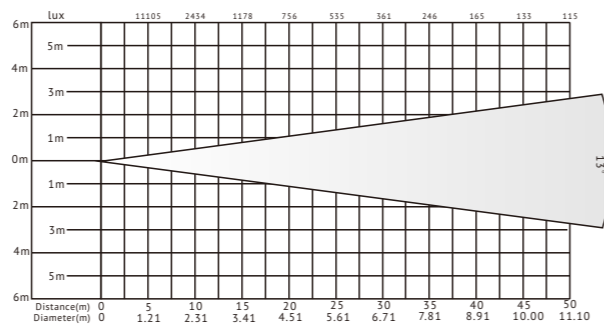
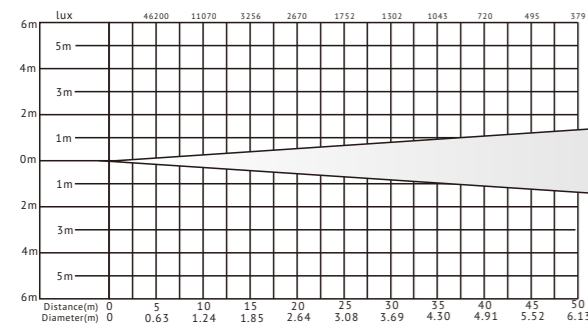


Product details

Product model	VG-LFL350C
Light sources	350W High brightness LED lamp more brightness than 1500w discharge lamp
Input power	AC100-240V,50/60Hz
Color temperature	8000-8500K
Lifespan	more than 50000h
Luminous flux	20000-24000lux
Color wheel	5 colors + open white
CTO Wheel	3200K+4500K+5600K
Iris	electric iris
Beam angle	7-13degree
Focus	Manual focus
DMX channels	manual
IP rating	IP 20
Accessories	Power cable, user manual
Net weight	11.5kg
Body size	775*263*213mm



Product model	VG-LFL350C-D
Light sources	350W High brightness LED lamp more brightness than 1500w discharge lamp
Input power	AC100-240V,50/60Hz
Color temperature	8000-8500K
Lifespan	more than 50000h
Luminous flux	20000-24000lux
Color wheel	5 colors + open white
CTO Wheel	3200K+4500K+5600K
Iris	electric iris
Beam angle	7-13degree
Focus	Manual focus
DMX channels	5CH
IP rating	IP 20
Accessories	Power cable, user manual
Net weight	11.5kg
Body size	775*263*213mm



1500W LED Follow Spot Light

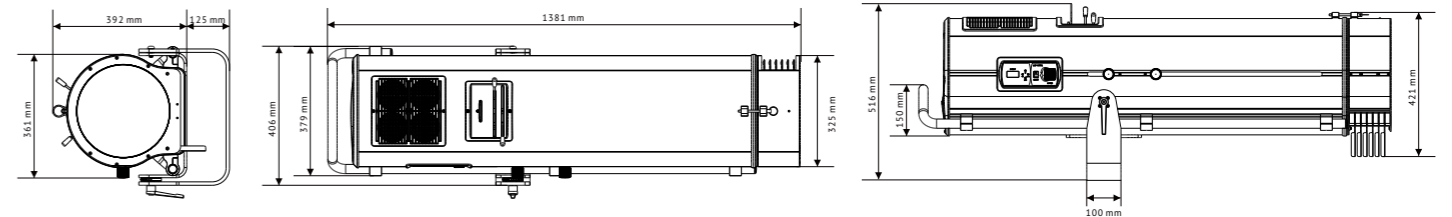
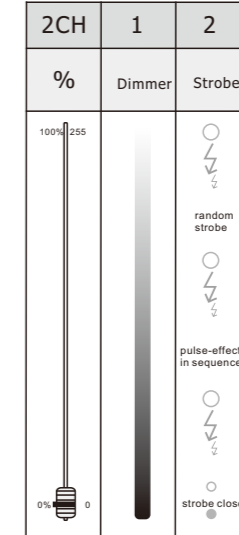
Features

- The internal adopts full copper radiator large area, good heat dissipation, ensure the lifespan of the LED Lamps;
- Through efficient optical lenses, with special heat dissipation design, make the light is downy, small stray light, no glare, eyes more comfortable;
- Use the LED, the light energy saving 80%;
- Because of almost no infrared radiation, it has greatly improve work environment.



Product details

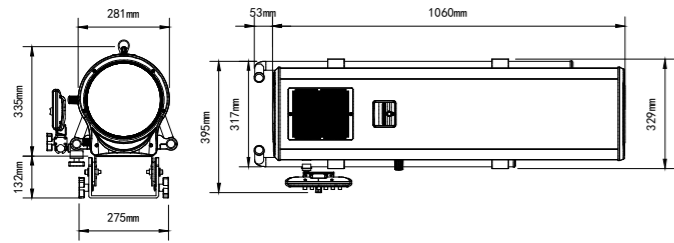
Product model	VG-TLF1500
Light sources	LED 1500W module
Input power	AC100V-240V,50Hz/60Hz
Rated power	1820W
Color	7500K
Luminous flux	85500-95000Lm
Focus and zoom	Manual
Light output angle	3.5°-10°
Dimmer	0-100% linear dimmer
Soft wheel	Manual, light and deep
Iris	Manual adjustment
Boomerang	Manual adjustment, 6 wheels
Strobe	1-20 flash per second
Control mode	connect to the international standard dmx512 signal to dim and turn off, with XLR 3PIN or XLR 5PIN connectors
Channel mode	2CH
Heat dissipation	high quality radiator, low noise fan
IP rating	IP 20



1000W LED Follow Spot Light

Features

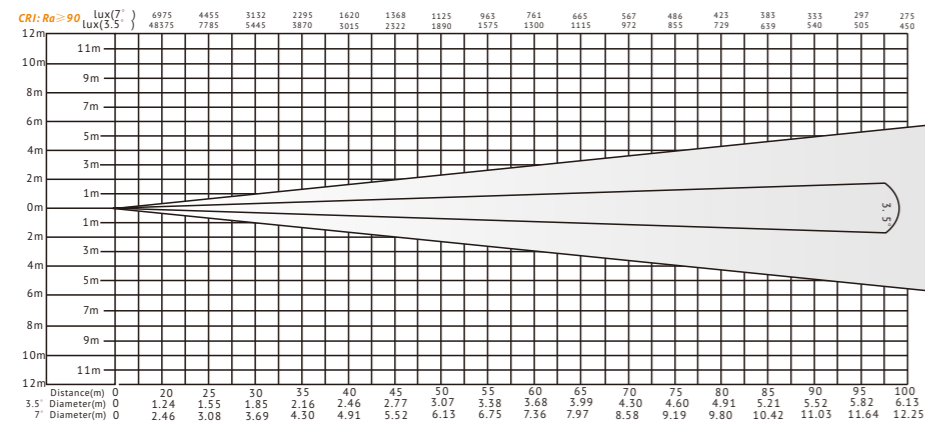
- The internal adopts full copper radiator large area, good heat dissipation, ensure the lifespan of the LED Lamps;
- Through efficient optical lenses, with special heat dissipation design, make the light is downy,small stray light, no glare, eyes more comfortable;
- Use the LED, the light energy saving 80%;
- Because of almost no infrared radiation, it has greatly improve work environment.



Specification

Product model	VG-LFL1000
Light sources	high brightness 1000W LED lamp
Input power	AC90-240V,50/60Hz
Power	1280W
Beam angle	3.5°-7°
Color	seven color + white changeable, by color wheel
Color temperature	7500K
CTO Wheel	3200K+4500K+5600K
Dimmer	0-100% linear dimmer
Projection distance	120-170m
Control mode	DMX-512; Manual
DMX channels	6CH
Strobe	1-20 times/second
IP rating	IP 20
Accessories	Tripods, power cable, signal cable, flight case package
Net weight	32.6kg
Dimension	1060*311*335mm

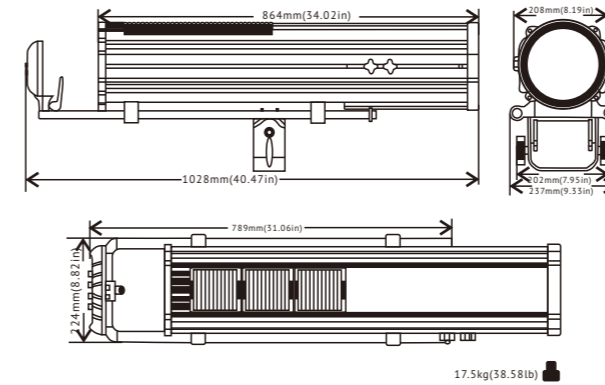
Product model	VG-LFL1000-2D
Light sources	high brightness 600W LED lamp
Input power	AC90-240V,50/60Hz
Power	1280W
Beam angle	3.5°-7°
Color	seven color + white changeable, by color wheel
Color temperature	7500-8000K
CTO Wheel	3200K+4500K+5600K
Dimmer	0-100% linear dimmer
Projection distance	100-150m
Control mode	DMX-512; Manual
DMX channels	8CH
Strobe	1-20 times/second
IP rating	IP 20
Accessories	Tripods, power cable, signal cable, flight case package
Net weight	33.6kg
Dimension	1060*311*335mm



600W Long Lens LED Follow Spot Light

Features

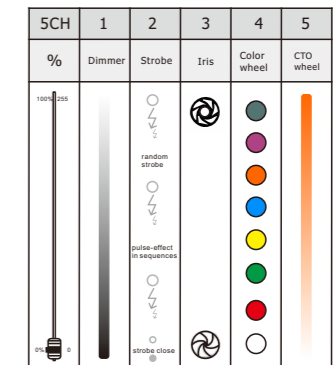
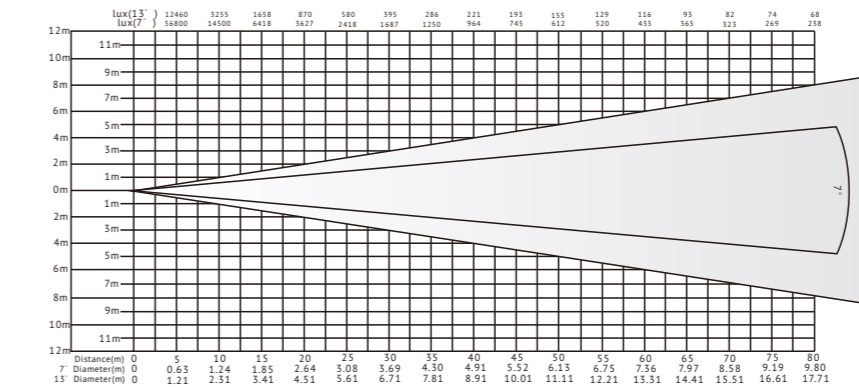
- The internal adopts full copper radiator large area, good heat dissipation, ensure the lifespan of the LED Lamps;
- Through efficient optical lenses, with special heat dissipation design, make the light is downy,small stray light, no glare, eyes more comfortable;
- Use the LED, the light energy saving 80%;
- Because of almost no infrared radiation, it has greatly improve work environment.



Product details

Product model	VG-LFL600
Light sources	high brightness 600W LED lamp
Input power	AC90-240V,50/60Hz
Power	700W
Beam angle	7°-13°
Color	seven color + white changeable, by color wheel
Color temperature	7500-8000K
CTO Wheel	3200K+4500K+5600K
Dimmer	0-100% linear dimmer
Projection distance	100-150m
Control mode	DMX-512; Manual
DMX channels	5CH
Strobe	1-20 times/second
IP rating	IP 20
Accessories	Tripods, power cable, signal cable, flight case package
Net weight	17.5kg
Dimension	775*263*213mm

Product model	VG-LFL600-2D
Light sources	high brightness 600W LED lamp
Input power	AC90-240V,50/60Hz
Power	700W
Beam angle	7°-13°
Color	seven color + white changeable, by color wheel
Color temperature	7500-8000K
CTO Wheel	3200K+4500K+5600K
Dimmer	0-100% linear dimmer
Projection distance	100-150m
Control mode	DMX-512; Manual
DMX channels	7CH
Strobe	1-20 times/second
IP rating	IP 20
Accessories	Tripods, power cable, signal cable, flight case package
Net weight	19kg
Dimension	1070*267*339mm



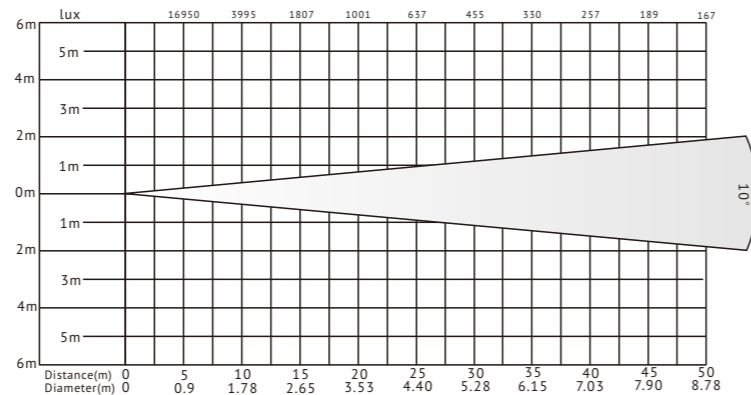
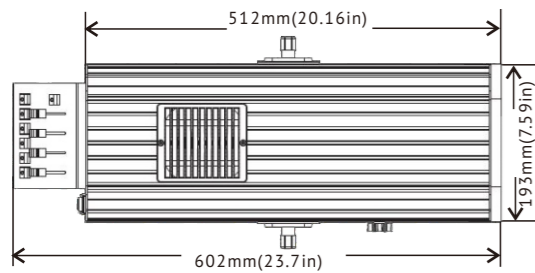
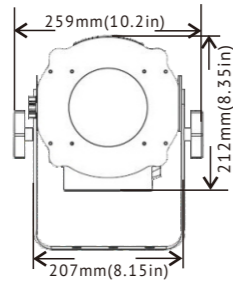
Iris Function 350W LED Follow Spot Light



Product details

Product model	VG-LFL350
Light sources	350W High brightness LED lamp more brightness than 1500w discharge lamp
Input power	AC100-240V,50/60Hz
Color temperature	8000-8500K
Lifespan	more than 50000h
Luminous flux	20000-24000lux
Color wheel	5 colors + open white
CTO wheel	3200K, 4500K, 5600K
Iris	electric iris
Beam angle	10degree
Focus	Manual focus
DMX channel	manual
IP rating	IP 20
Accessories	Power cable, user manual
Net weight	9.9kg
Body size	602*295*272mm

Product model	VG-LFL350
Light sources	350W High brightness LED lamp more brightness than 1500w discharge lamp
Input power	AC100-240V,50/60Hz
Color temperature	8000-8500K
Lifespan	more than 50000h
Luminous flux	20000-24000lux
Color wheel	5 colors + open white
CTO wheel	3200K, 4500K, 5600K
Iris	electric iris
Beam angle	10degree
Focus	Manual focus
DMX channel	5CH
IP rating	IP 20
Accessories	Power cable, user manual
Net weight	9.9kg
Body size	602*295*272mm



384CH DMX Console



Product model	VG-DC384
Controllable DMX 512 channels	384
Max fixtures	30
Max fixture channels	32
Direct call of scenes	30
Chase program	30
Chase speed range	0.03s-180s
Chase trigger mode	Auto, music, swing
Chase direction control	Forward/inversion
Shape control	Yes, up to 50 SHAPE generators
LCD monitor	Yes
Flash-card port	Yes
Power	5W
Body size	485*267*85mm

1024CH DMX Console



Specification	VG-DC1024B
Product model	VG-DC1024B
Total DMX channel	1024CH
Package	Flight case
Flight case	59*35*19cm(1pcs/case)
N.W/G.W	4.5kg/11kg

Accessories

