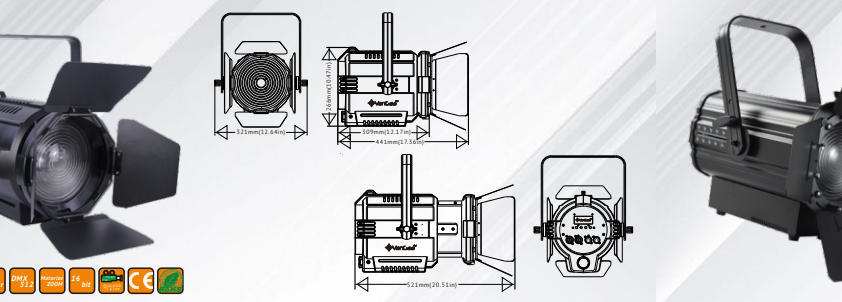
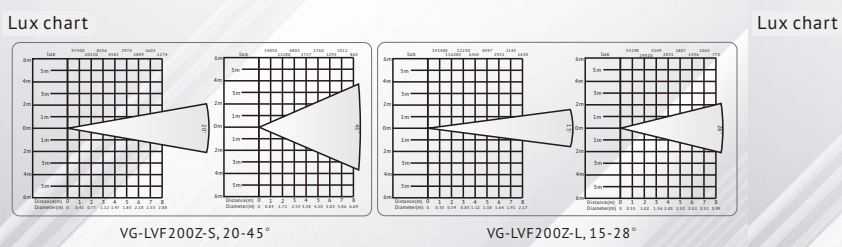
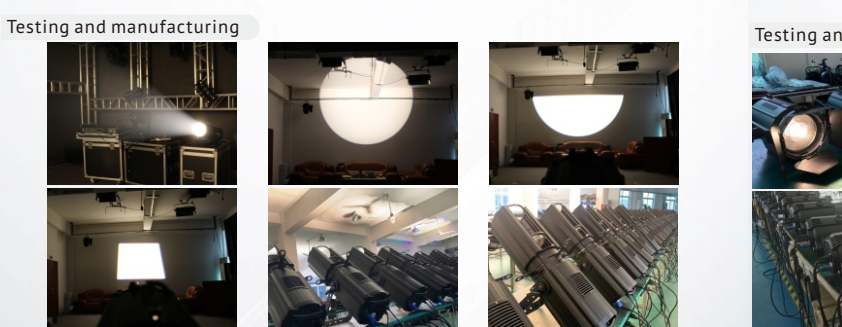


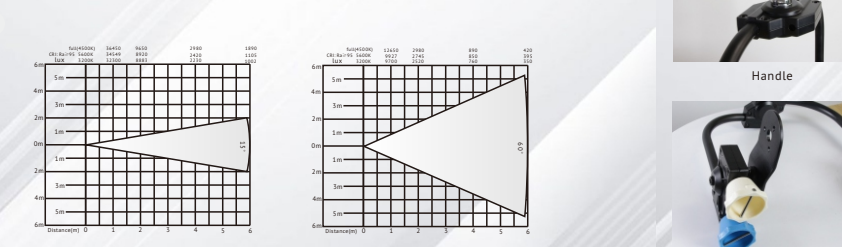
Specification

Product model	VG-LVF200Z-S, 20-45°	VG-LVF200Z-L, 15-28°
Light sources	High CRI 200W COB LED, 3200/5600K	High CRI 200W COB LED, 3200/5600K
Input power	AC100-240V, 50/60Hz	AC100-240V, 50/60Hz
Power	250W	250W
CRI	Ra ≥ 95	Ra ≥ 95
Color	3200K/5600K optional	3200K/5600K optional
Dimmer	0-100% linear dimmer	0-100% linear dimmer
Control panel	LCD display+4 buttons	LCD display+4 buttons
DMX channel	2CH	2CH
Beam angle	20-45degree	15-28degree
Cooling system	Copper tube convactor and mute fan	Copper tube convactor and mute fan
Control mode	DMX512/Demo/Manual	DMX512/Demo/Manual
Housing materials	die-casting aluminum	die-casting aluminum
Accessories	Gobo clip, power cable, signal cable	Gobo clip, power cable, signal cable
Net weight	8.5kg	8.8kg
Body size	D645*W277*H276mm	D745*W277*H276mm



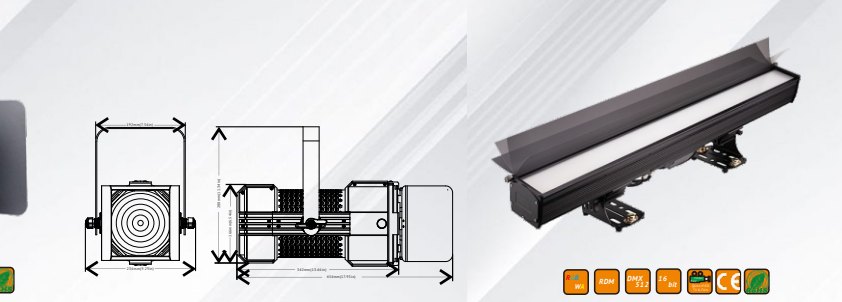
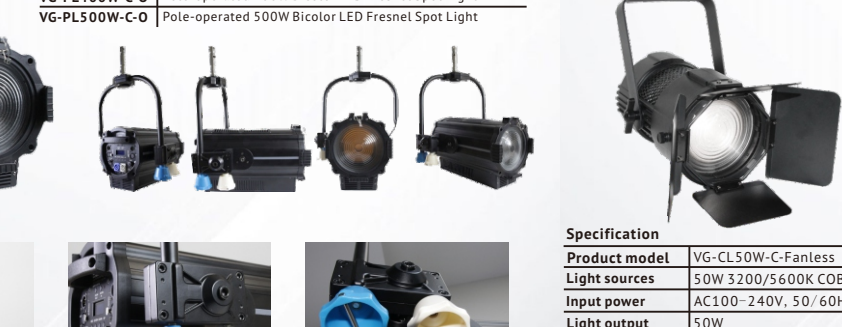
Specification

Product model	VG-CB400W-C-D, Motorize zoom	VG-CB400W-C, Manual zoom
Light sources	400W bicolor COB LED lamp	400W bicolor COB LED lamp
Input power	AC100-240V, 50/60Hz	AC100-240V, 50/60Hz
Light output	keep 200W from 3200k-5600k	keep 200W from 3200k-5600k
CRI	Ra ≥ 97	Ra ≥ 97
Color	3200K-5600K	3200K-5600K
Dimmer	0-100% linear dimmer	0-100% linear dimmer
Control panel	LCD display+4 buttons	LCD display+4 buttons
DMX channel	1CH, 2CH	4CH, 5CH
Beam angle	15-60degree	15-60degree
Cooling system	Copper tube convactor and mute fan	Copper tube convactor and mute fan
Control mode	DMX512/Demo/Manual/RDM	DMX512/Demo/Manual/RDM
Housing materials	die-casting aluminum	die-casting aluminum
Accessories	Power cable, signal cable	Power cable, signal cable
Net weight	8.5kg	7.5kg
Body size	D309*W321*H266mm	D309*W321*H266mm



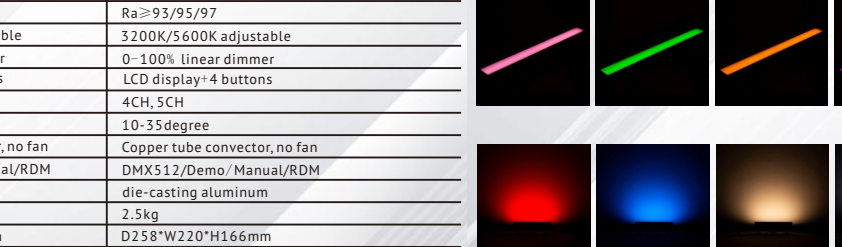
Specification

Product model	VG-NB300W	VG-NB400W-C
Light sources	300W 3200K/5600K COB LED Lamp	400W bicolor COB LED Lamp
Input power	AC100-240V, 50/60Hz	AC100-240V, 50/60Hz
Light output	keep 200W from 3200k-5600k	keep 200W from 3200k-5600k
CRI	Ra ≥ 95	Ra ≥ 95
Color	3200K/5600K	3200K-5600K
Dimmer	0-100% linear dimmer	0-100% linear dimmer
Control panel	LCD display+4 buttons	LCD display+4 buttons
DMX channel	1CH, 2CH	3CH, 4CH
Beam angle	12-45degree	15-35degree
Cooling system	Copper tube convactor and mute fan	Copper tube convactor and mute fan
Control mode	DMX512/Demo/Manual/RDM	DMX512/Demo/Manual/RDM
Housing materials	die-casting aluminum	die-casting aluminum
Accessories	Power cable, signal cable	Power cable, signal cable
Net weight	8.8kg	4kg
Body size	D589*W302*H260mm	D342*W236*H166mm



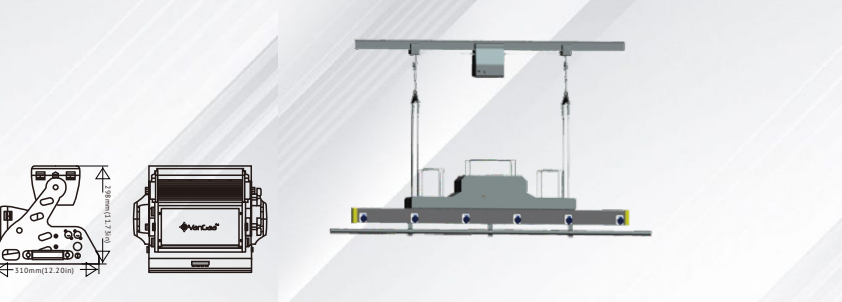
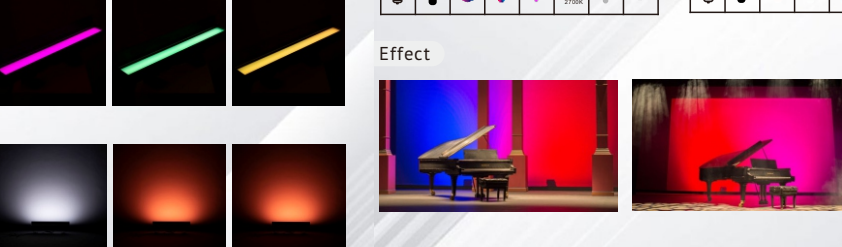
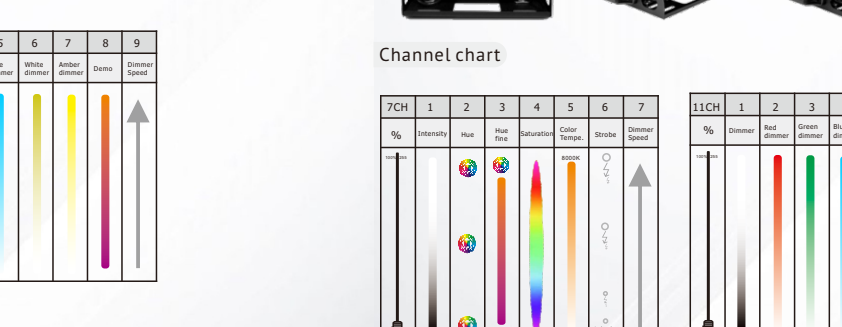
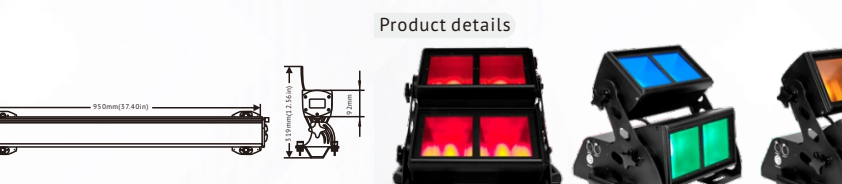
Specification

Product model	VG-CL200W-C-Fanless	VG-CL200D-Fanless
Light sources	200W bicolor COB LED Lamp	200W RGBW 4in1 COB LED Lamp
Input power	AC100-240V, 50/60Hz	AC100-240V, 50/60Hz
Light output	keep 100W	keep 200W from 3200k-5600k
CRI	Ra ≥ 93/95/97	Ra ≥ 95, R9 ≥ 90, R15 ≥ 90
Color	3200K-5600K adjustable	RGBW 4in1 color mixing
Dimmer	0-100% linear dimmer	0-100% linear dimmer
Control panel	LCD display+4 buttons	LCD display+4 buttons
DMX channel	1CH, 2CH	9CH
Beam angle	15-35degree	15-35degree
Cooling system	Copper tube convactor, no fan	Copper tube convactor, no fan
Control mode	DMX512/Demo/Manual/RDM	DMX512/Demo/Manual/RDM
Housing materials	die-casting aluminum	die-casting aluminum
Accessories	Power cable, signal cable	Power cable, signal cable
Net weight	4kg	4kg
Body size	D342*W236*H166mm	D342*W236*H166mm



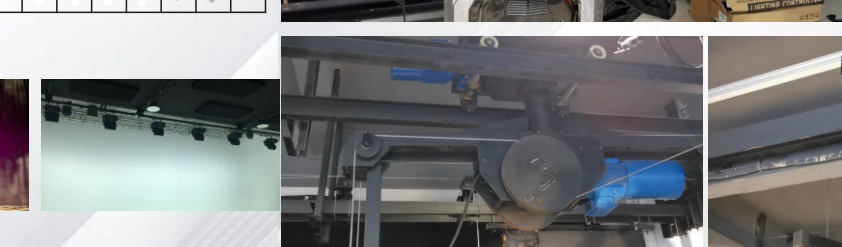
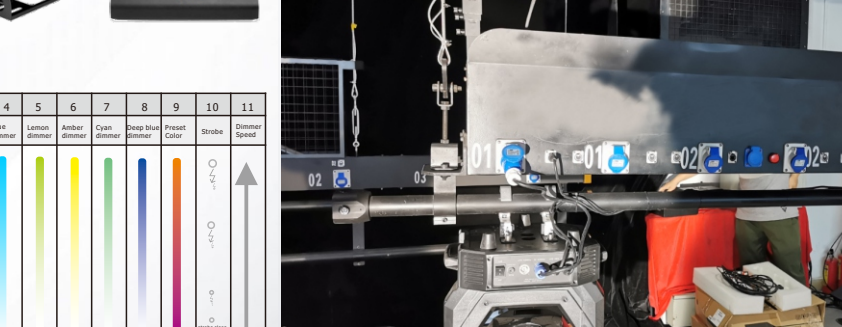
Specification

Product model	VG-LB300
Light sources	300W RGBWA LED Lamp
Input power	AC100-240V, 50/60Hz
Light output	300W
CRI	Ra ≥ 93
Color	RGBWA Sin1 color mixing
Dimmer	0-100% linear dimmer
Control panel	digital tube display+4 buttons
DMX channel	9CH
Beam angle	120degree
DMX channel	7CH/9CH/11CH/15CH/17CH/22CH
Cooling system	mute fan
Beam angle	30° for first head, 80° for second head
IP rating	IP20
Accessories	Power cable, DMX cable, Power cable
Net weight	9.5kg
Body size	1012*150*319mm



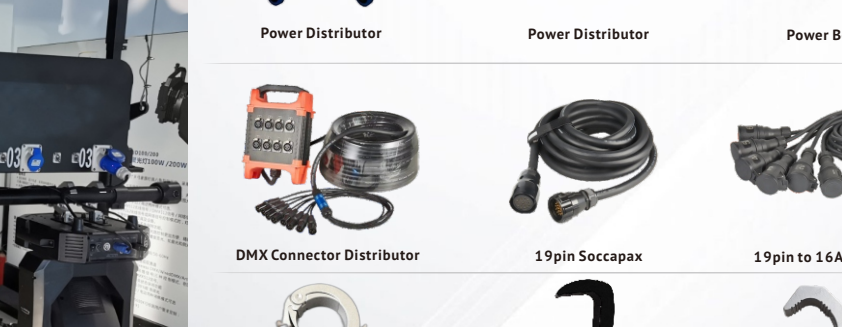
Specification

Product model	VG-LB2400
Light sources	100pcs seven colors brand led lamps, (R:24; G:16; B:12; Royal blue: 8; Cyan: 8; Amber: 12; Lime green: 20)
Input power	AC100-240V, 50/60Hz
Power	200W
CRI	Ra ≥ 97
Color quality	>90, from 2700K-8000K
Color range	>1670 thousand colors
Color mixing system	HSIC(brightness/hue/saturation/color temperature)
Control panel	LCD display+4 buttons
DMX channel	7CH/9CH/11CH/15CH/17CH/22CH
Cooling system	mute fan
Beam angle	30° for first head, 80° for second head
IP rating	IP20
Accessories	Power cable, DMX cable, Power cable
Net weight	7.5kg
Body size	D510*W285*H261mm



Specification

Product model	VG-CH01A
Length of batten	3mm
Load capacity	150kg
DMX Connector	2 ports
16A Power Outlets	6ports
Control hoist	cw/ccw
Push up/down button system	support
Lifting speed	0.5-8m/min



Control System and Accessory

24CH DMX Dimmer	48CH DMX Dimmer	Touch Screen DMX 512 Console
1024CH DMX Console	768CH DMX Console	256CH DMX Console
3 in 24 out DMX Splitter	1 in 8 out RDM Splitter	1 in 4 out DMX Splitter
Twins Wireless Transmitter and Receiver	2.4G Wireless Transmitter	Outdoor Wireless Transmitter
Power Distributor	Power Distributor	Power Box
DMX Connector Distributor	19pin Soccapax	19pin to 16A C form
C35 Clamps with Locker	C37 Clamps	Folding Clamps
3m Pantograph	Extend 2.8m Tripods	Sky Panel Carry Bag



Guangzhou Weijia Photoelectric Tech. Co., Ltd
VanGaa Lighting Co., Limited
 Homepage: www.vangaa.com
 Email: info@vangaa.com
 Tel: 0086-20-86432439
 Wechat & WhatsApp & Mobile: 0086 1382 512 8583
 Factory add: Building B, Langling Industry Park, Huaxing Industry Area, Xinhua Town, Huadu District, Guangzhou, China

COMPANY PROFILE



Industry Area of VanGaa Lighting Factory



A Corner of Workshop



A Corner of Technical Department



A Scene of Showroom



The Building of Service Center



Reception Centre



The Team of VanGaa



2021 GET SHOW

VanGaa: High CRI No/low Noise Studio Lights Manufacturer

Contents

- Page 01-06 LED Light Panel (New Coming)
- Page 07-08 LED Profile Leko Light (New Coming)
- Page 09-11 LED Fresnel Light (New Coming)
- Page 12-13 LED Cyclorama Light (New Coming)
- Page 14 Hanger System (New Coming)
- Page 14-15 Control System & Accessory (New Coming)

More Products Information, please visit www.vangaa.com to check the online information Or visit <https://www.vangaa.com/download.html> to download the 2023 full version catalogue

400W RGB LED Light Panel



By Color Temperature & Color Correction Technology

Specification	
Product model	Color Panel 180DG III
Light sources	576pcs 1.5W RGB 3in1 LED chips, 576pcs 0.5W 3200K warm white LED chips, 576pcs 0.5W 5600K cold white led chips
Input power	AC100-240V, 50/60Hz; and DC24-36V
Light output	400W for every colors(Red, Green, Blue, Warm White and Cold White)keep similar brightness
CRI	Ra>=95
Color temp.	Kelvin 2500-9900K, DMX and Rotary Knob adjustable
Dimmer	0-100% linear dimmer
Control panel	LCD display+4 buttons + 2 knobs
Effect	GEL color change, CCT, special effect, RGB color change, and direct white dimmer function
Beam angle	120 degree(90° honeycomb louver optional)
Cooling system	Copper tube convactor, and mute fan
Control mode	DMX512; RDM; Kelvin Temperature; Hue Angle; Saturation; Wireless Solution Receive
IP rating	IP 20
Accessories	DMX Cable; Power cable
Net weight	12kg
Body size	D730*W139*H407mm

Product details



Optional Accessory



Manufacturing



260W RGB LED Light Panel



By Color Temperature & Color Correction Technology

Specification	
Product model	Color Panel 1260G
Light sources	420pcs 0.2W 5050SMD 3 in 1 lamp beads + 420pcs 0.2W cold white lamp beads + 420pcs 0.2W warm white lamp beads
Input power	AC100-240V, 50/60Hz
Light output	260W
CRI	Ra>=95
Color temp.	2700-10000K
Dimmer	0-100% linear dimmer
Control panel	LCD display+4 buttons + 2 knobs
Effect	CCT, special effect, RGB color change, and direct white dimmer function
Beam angle	135 degree(90° honeycomb louver optional)
Cooling system	Copper tube convactor, no fan
Control mode	DMX512; RDM;
IP rating	IP 20
Accessories	DMX Cable; Power cable
Net weight	8.8kg
Body size	D584*W352*H111mm

Product details



Manufacturing



COLOR PANEL 1260G

Colorful basic colors



400W/200W RGBALC LED Light Panel



By Color Temperature & Color Correction Technology

Specification	
Product model	Color Panel 3360H
Light source	3360pcs 0.2W RGBALC LEDs
Lifespan	50,000hours
Color	colorful, 6 colors mixing
Beam angle	170degree
Dimmer	0-100% Linear dimmer, 4 kinds dimmer curves
PWM frequency	1.2K-20K Hz adjustable
CRI	Ra>=95
CCT	1800-10000K adjustable
DMX Channel	5CH, 11CH
Control mode	RDM, DMX-512, HSI, Demo mode, Manual
Special effect	15 kinds built-in
Control panel	TFT display + 4 buttons + 1 rotation control wheel
Related voltage	AC100V-240V, 50/60Hz
Related power	400W
Light output	400W
Body dimension	D767*W122*H345mm
Net weight	9kg
Housing material	aluminum alloy and mute fan

Color Panel 3360H details



Color Panel 2688H details



Color change effect



Pole-Operated Yoke Bicolor LED Light Panel



Specification	
Product model	VG-HTC200C-O
Light sources	760pcs 0.5W CREE brand LED lamps
Input power	AC100-240V, 50/60Hz
Light output	200W
CRI	Ra>=95
Color temp.	2700-6500K
Dimmer	0-100% linear dimmer
Control panel	OLED display+4 buttons
Effect	CCT, Color change, and direct white dimmer function
Beam angle	120degree
Cooling system	Copper tube convactor, no fan
Control mode	DMX512; Auto-run; Demo
IP rating	IP 20
Accessories	DMX Cable; Power cable
Net weight	9.2kg
Body size	624*372*111mm
Shell material	aluminum alloy

Product details



DMX channel chart



Other details



300W Bicolor LED Light Panel



Specification	
Product model	VG-HTC1420C
Light sources	700pcs*0.2W 2835 LED cool white + 700pcs*0.2W 2835 LED warm white
Input power	AC100-240V, 50/60Hz
Light output	300-280W
CRI	Ra>=95
Color temp.	3200-5600K
Dimmer	0-100% linear dimmer
Control panel	LCD display+4 buttons
Beam angle	135degree
Cooling system	Copper tube convactor, no fan
Control mode	DMX512; Auto-run; Demo
IP rating	IP 20
Accessories	DMX Cable; Power cable
Net weight	9.7kg
Body size	624*372*111mm
Body material	aluminum alloy

Product details



DMX channel chart



Lux chart



150W Bicolor LED Light Panel



Specification	
Product model	VG-HTC1300C
Light sources	equips 576pcs warm white and 575pcs cold white 0.2W 5835 Edison LED lamp
Input power	AC100-240V, 50/60Hz
Light output	165-150W
CRI	Ra>=95
Color temp.	3200-5600K
Dimmer	0-100% linear dimmer
Control panel	OLED display+2 knobs
Beam angle	120degree
Cooling system	Copper tube convactor, no fan
Control mode	DMX512; Auto-run; Demo
IP rating	IP 20
Accessories	DMX Cable; Power cable
Net weight	5.5kg
Body size	D613*W355*H100mm

Product details



DMX channel chart



ODM the color of corner



LED 3200K/5600K/4IN1 Leko Light



Specification	
Product model	VG-LVF330A
Light sources	equips 576pcs warm white and 575pcs cold white 0.2W 5835 Edison LED Lamp
Input power	AC100-240V, 50/60Hz
Power	350W
CRI	Ra>=95
Color	3200K/5600K optional
Dimmer	0-100% linear dimmer
Control panel	LCD display+4 buttons
DMX channel	1CH
Beam angle	19/26/36/50degree optional
Cooling system	Copper tube convactor and mute fan
Control mode	DMX512; Demo/ Manual
Housing materials	die-casting aluminum
Accessories	Gobo clip, power cable, signal cable
Net weight	9.5kg
Body size	610*175*215mm

Product details



Product details



Optional color





LED Studio & Theater Lights Catalogue (Simplified Version)
2023-2024 New Arrival



wechat facebook youtube



www.VanGaa.com
VanGaa, focus on high CRI and No/low noise LED Studio Light