


# 200W Bicolor LED Fresnel Spot Light

VG-PB200W-C



CE RoHS

## User Manual

 Please read this user manual before using this product!

Keep it for further reference!

<http://www.vangaa.com>

**INDEX**

**I PRODUCT MAIN FEATURES ..... 01**

**II OVERVIEW AND DIMENSIONS ..... 02**

**III SAFETY INFORMATION ..... 02**

**IV POWER CONNECTION..... 03**

**V CONTROL PANNEL ..... 06**

**VI DMX PROTOCOL..... 09**

**VII COMMON INSTRUCTION ..... 10**

**VIII TECHNICAL SPECIFICATION ..... 10**

**IX APPENDIX ..... 11**

Thank you for using our product! Please read this manual carefully and completely. For technical reference in future, please keep this user manual well. This user manual contains all installation and operation information of this LED Studio Focalize Light, it's very useful for user to install and operate the light. Please strictly abide by the relevant instruction for the installation and operation.

This light has very beautiful appearance. Based on the LED Film and Television Flat Light Technology, using high brightness COB LED chips beads matrix arrangement of large area, through the whole aluminum shell to realize heat dissipation naturally, we have designed this light. This light has high brightness, good head dissipation, ultra-quiet and other features. It can satisfy the requirement of indoor movie filming for the lighting layout. It is a good substitute of the traditional Fresnel spot light, which is very suitable for the studio room, TV station, Meeting room, stage, show and other entertainment places.

This light meets the following criteria:

GB7000.1-2007/IEC60598-1:2003

GB7000.217-2008/IEC60598-2-17:1984+A2:1990

**I PRODUCT MAIN FEATURES**

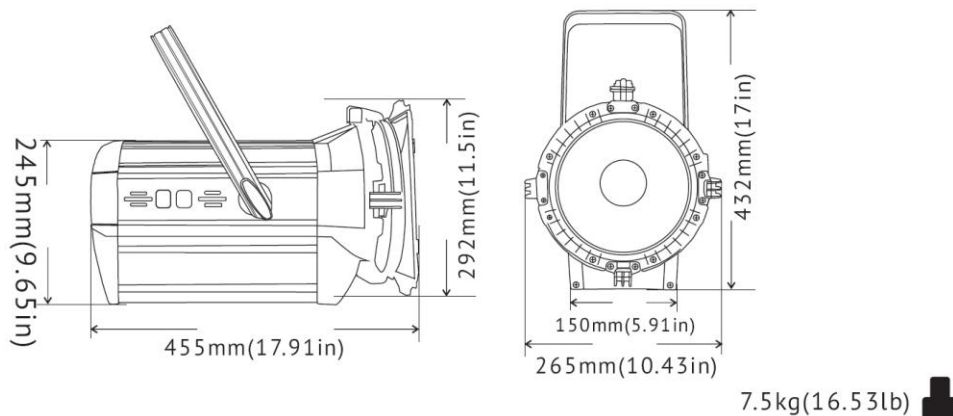
The light's lighting function is controlled by DMX-512, very convenient;  
 Using international standard (1990) DMX single, digital control panel display;  
 With 1 DMX channel as dimmer; (Strobe channel closed)  
 Dimmer range: 0~100%, 0~15% dimmer smoothly;  
 CRI more than 92, 3000~5600K color temperature optional, light effective distance is 3~15 meters;  
 Cast aluminum radiator, equips copper tube radiator, no need fan cooling, realize the silent,

intelligent temperature control system, improve the quality of our products stable performance, apply to indoor installation.

Using brand LED chips, integrated encapsulation, improve reliability and long lifespan.

Using the advanced optical reflective material, make the light on the projection distance and brightness is higher than traditional film soft light.

## II OVERVIEW AND DIMENSIONS



All dimensions are in millimeters

## III SAFETY INFORMATION

※Important

Every person involved with the installation, operation and maintenance of this device has to be qualified and follow the instructions of this manual. Manufacturer will not with responsibility for those operations which are not according to this Instruction.

Verify that the voltage matches the rated voltage.

When the voltage is 110V, Do not connect more than 10 lightings in total to AC mains power in one interconnected daisy chain

When the voltage is 220V, Do not connect more than 20 lightings in total to AC mains power in one interconnected daisy chain

Before using the fixture, check that all power distribution equipment and cables are in perfect condition and rated for the current requirements of all connected devices.

Always ground (earth) the fixture electrically.

Avoiding hit the Light when you are move or install the light.

The minimum distance between light-output and the illuminated surface must be more than 0.5 meters. Keep all combustible materials (for example fabric, wood, paper) at least 0.2 meters away from the fixture.

Do not expose the fixture to rain or moisture.

Avoid looking directly into the light source (especially those who suffer from epileptic fits) Maximum ambient temperature (Ta) is 40°C. Do not operate fixture at temperatures higher than this.

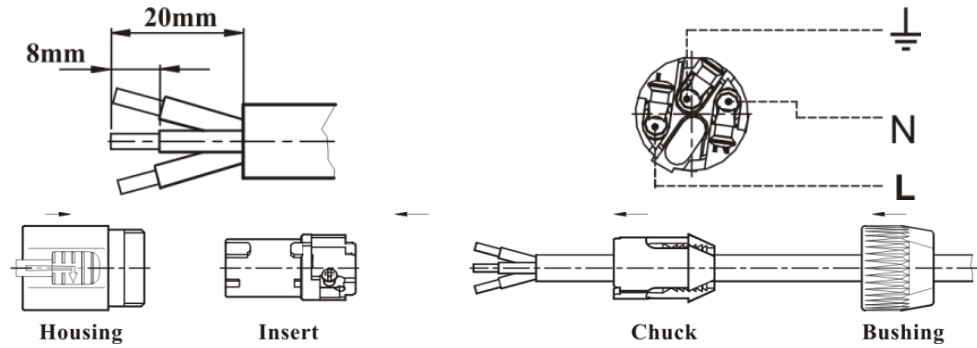
The Maximum surface temperature is 50°C

When suspending the fixture above ground level, verify that the structure can hold at least 10 times the weight of all installed devices.

Verify that all external covers and rigging hardware are securely fastened and use an approved means of secondary attachment such as a safety cable.

## IV POWER CONNECTION

**INSTALLING A NENUTRIK CONNECTOR ON A POWER CABLE**



Put bushing and chuck onto the cable.

Prepare cable as shown above. The power cable must be a three-conductor 2.5mm<sup>2</sup> cable.

Insert the wire into the terminals and fasten the clamping device by a flat screw driver.

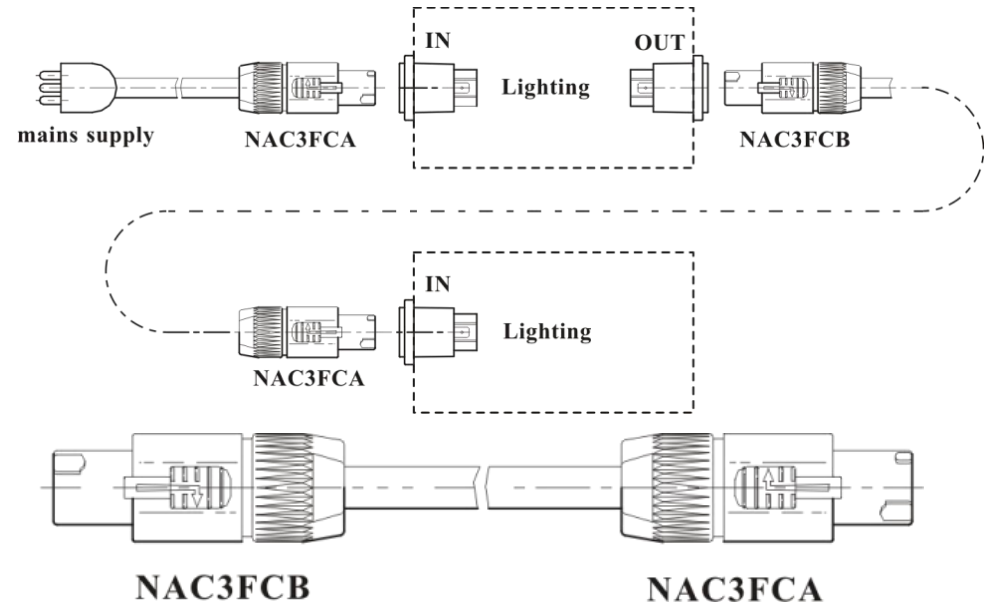
Push insert and chuck into housing (pay attention to the guiding keyway).

Fasten bushing.

The color-coding schemes and some possible pin identification schemes; if pins are not clearly identified, or if you have any doubts about proper installation, consult a qualified electrician.

**RELAYING POWER TO OTHER DEVICES**

The lightings can be linked in a chain by power cables which installed a blue and a light-gray connectors on the two ends. The light-gray connector connects to the power out socket of the first lighting, and the blue connector connects to the power in socket of the subsequent lighting, and so on.



The power cable must be a three-conductor 2.5mm<sup>2</sup> cable.

When the voltage is 110V, Do not connect more than 10 lightings in total to AC mains power in one interconnected daisy chain.

When the voltage is 220V, Do not connect more than 20 lightings in total to AC mains power in one interconnected daisy chain.

Wire color	Conductor	Symbol
Brown	Live	L
Blue	Neutral	N
Yellow/green	ground	⏏

**PHYSICAL INSTALLATION**

This lighting can be placed on a horizontal surface such as a stage or clamped to a truss or

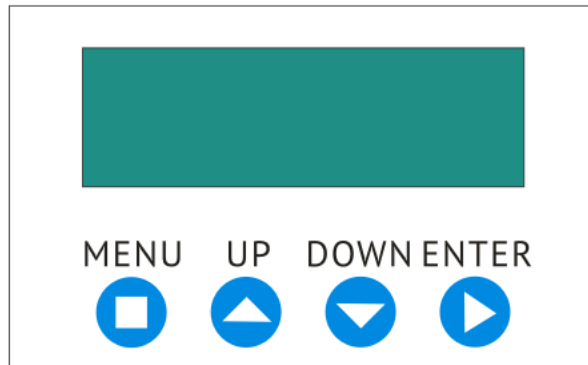
similar rigging structure in any orientation using a rigging clamp.

When suspending the fixture above ground level, verify that the structure can hold at least 10 times the weight of all installed devices.

Verify that all external covers and rigging hardware are securely fastened and use an approved means of secondary attachment such as a safety cable.

## V CONTROL PANNEL

### BUTTON



**MENU** Call the main menu, or escape the current menu, (i.e. return to the upper menu and give up the selected item or parameter).

**UP** Browse the menu item forward or increase the parameter.

**DOWN** Browse the menu item backward or decrease the parameter.

**ENTER** Confirm the selected item or parameter, (i.e. enter into the next menu, or escape the current menu and save the selected item or parameter).

### MAIN MENU

The way into the menu as below:

1. Press **ENTER** when the display show the title information;
2. Press **UP** or **DOWN** button to choose the right menu which you need;
3. Press **ENTER** into the menu;
4. Press **UP** and **DOWN** button to set the parameter or setting;

5. Press **ENTER** to save the setting;
6. Press **MENU/SET** button to back.

### MENU MAP

LCD SHOW	Function Instruction	Operation of Buttons	Supplementary Instruction
T=xxxC	<ul style="list-style-type: none"> <li>◆The temperature of LED bulb radiator in real time (Celsius)</li> <li>◆If there is no this temperature shows, means the temperature sensor failure</li> <li>◆If the value over 80, please check the wind path is normal or not</li> </ul>		
No Signal	Couldn't receive the DMX 512 signal		
RX DMX	<b>Received the DMX 512 signal</b>		
RX Slave	Slave mode	You only need set a master light, the slave light will be identified automatically	You need pull off the DMX signal from console under master/salve mode
Address	Address setting	Press <b>UP</b> , <b>DOWN</b> button to set the address you need, then press ENTER	

		to save.	
Mode	Working mode option	Press <b>UP</b> , <b>DOWN</b> button to choose the menu you need, then press <b>ENTER</b> to save.	
	Mode = 04 Channel DMX		
	Mode = 05 Channel DMX		
	Mode = Alone scene ↓		
	Set auto mode Dimmer, dimmer=0-255		
	Set auto mode Color Temperature= 3200K 4200K 5600K		
	Set alone scene Strobe, Strobe=0-255		

**SETTING DMX 512 MODE**

1. Press **ENTER** when the display show the title information;
2. Press **UP/DOWN** to choose the **Mode** menu, then press **ENTER** into;
3. Press **UP/DOWN** to choose **04 Channel DMX** or **05 Chanel DMX** menu, then press **ENTER** to save;
4. Press **MENU/SET** back the title mode(the second line will shows **04CH** or **05CH** **Address=001**), the setting is ok.

**SETTING POWER ON, LIGHT ON**

1. Press **ENTER** when the display show the title information;
2. Press **UP/DOWN** to choose the **Mode** menu, then press **ENTER** into;

3. Press **UP/DOWN** to choose **Alone scene** menu, then press to save;
4. Press **UP/DOWN** to choose **Set auto mode Color Temperature** menu, then press **ENTER** into the option of color temperature;
5. Press **UP/DOWN** to choose **Set auto mode Dimmer** menu, then press **ENTER** into the adjust function of the LED;
6. Press **UP/DOWN** to adjust the brightness (=000 light off, =255 Max brightness), after the setting, press **ENTER** to save;
7. Press twice **MENU/SET** button to back the title mode(the second line will shows **Master** **Auto**), the setting is ok.

\*The sound active mode based on the light has the sound active mode or not, this is a option function. Please contact sales manager when you need it.

**VI DMX PROTOCOL**

**4CH MODE**

CH	Name	Value	Function
CH1	General dimmer	000←→255	0-100% linear dimmer
CH2	Fixed Color-Tem.	000←→099	Close
		100←→149	3200K
		150←→199	4500K
		200←→255	5600K
CH3	Color 1	000←→255	0-100% linear dimmer
CH4	Color 2	000←→255	0-100% linear dimmer

**5CH MODE**

CH	Name	Value	Function
CH1	General dimmer	000←→255	0-100% linear dimmer

CH2	Fixed Color-Tem.	000←→099	Close
		100←→149	3200K
		150←→199	4500K
		200←→255	5600K
CH3	Color 1	000←→255	0-100% linear dimmer
CH4	Color 2	000←→255	0-100% linear dimmer
CH5	Strobe	000←→255	Strobe from slow to fast

## VII COMMON INSTRUCTION

The light uses international 3/5 pins DMX signal cannon for DMX in and DMX out;

The light uses blue LCD display to show the parameter. If there is no DMX in, the display will shows the information which you can check from the menu map.

In fact, the light has 2 DMX channels modes, please refer the DMX channel chart.

This light uses intelligent full aluminium shell for the heat dissipation, through the electronic temperature detection ensure the stability of the circuit at any time;

This light is only for indoor use, when you install it by hanging, please use the safety cable to ensure the safety.

If you have any questions, please contact with our sales manager.

## VIII TECHNICAL SPECIFICATION

·Input power: AC100~240V, 50/60Hz

·Power consumption: 250W

·Light sources: 200W brand bicolor COB LED Lamps

- LED lifespan: 50,000hours
- Dimmer: 0~100%, 0-15% smoothly dimmer
- Beam angle: 15-60degree
- Color rendering index: ≥92Ra
- Color temperature: 3200K-5600K
- Control mode: DMX-512
- DMX channel: 4CH/5CH
- Focus: manual focus adjustable
- Light visor: optional
- IP rating: IP20
- Housing material: aluminum alloy
- Working temperature: -25~40centigrad degree

## IX APPENDIX

### Problem and solution

Problem	Reason	Resolution
Device not work	No power	AC100-240V, 50/60Hz
		Check the power connection, and make sure device connect the mains in well condition.
		Check if the fuse is good.
LED Bulb is off	LED bulb damaged	Replacing LED bulb
	LED drive board damaged	Replacing LED drive board
	Temperature switch damaged	Replacing temperature switch
Fans not work	Fans damaged	Replacing fans

### Caution

- Unqualified person involved with installation, operation and maintenance of this device is prohibited
- If any above mentioned problem happened, or unknown problem happened, please contact manufacturer or distributor for assistance.